



Since 1967

# The Ultimate Mini Parts Catalogue



**minisport**.com



Scan Me

minisport.com

The Ultimate Mini Parts Catalogue

2021/22



Download Catalogue 2021

Easy Parts Finder



£5m Engineering Facility



Restorations



**To all our Mini Friends around the world,**

As we start to emerge from the most challenging events in most of our lifetimes, we look forward to what the future holds for us all. In the 54 year history of Mini Sport, we could never have imagined what the world has experienced over the last year, but we feel blessed to be a part of this wonderful Mini community that we all love.

Our no-compromise ethos has allowed us to remain positive, even in the worst situations, and over the past 12 months this has been no different. When the world felt like it was shutting down and people confined to their homes, I am proud to say that the Mini Sport team stepped up to the challenge. Working tirelessly under strict Covid rules, **our whole team wanted to serve you to keep our supply chains open.** Sending parts around the world, enabling everyone to find solace in their projects and create some fantastic Minis. We can't wait to see all of these newly restored Mini's, once we can meet all our Mini friends again!

Also our ingenious engineers, designers and technicians have not been standing still either, focused on creating the next generation of new and exciting products ready for your Mini, right here in Padstow, UK. Investing over £5m, **this amazing facility is the most technologically advanced centre in the world,** dedicated to Mini. Providing the perfect environment for creating extraordinary products and perfectly reflects our no-compromise ethos.

The **restorations department has undertaken some fantastic projects** too, turning out some fabulous newly restored Mini's which are just delight to the eye. Take a look on the website at the all new Classic Mini Restorations gallery, to see these cars and the standards our craftsmen achieve. If you own a classic Mini that needs some love, we have the care and attention to detail, to make it look and perform better than the day it left the factory. Whether it's a full nut and bolt restoration to Concours standard, simple accident repairs or a sympathetic conservation retaining originality we are here to help you. Simply **get in touch via email or phone to discuss your Mini** and the options we can make available.

**Marketing and innovation** also go hand in hand, this brand new 2021 interactive catalogue, features QR codes, which you can simply scan on your mobile or tablet, linking you directly to the relevant page on our website, making life so much easier when finding the right product. Enjoy 196 pages, packed full of wonderful, top quality Mini parts or simply download the digital version online and browse on your favourite device. (Please scan the QR code above)

The **Mini Sport website** is now recognised as probably the most advanced & best in the Mini world, it is a constant evolution, updating and improvement to bring you the very best possible browsing & purchasing experience. If you haven't checked out the brilliant parts finder then I

recommend that you do, it makes life so much easier to find that difficult but very important part. (Please scan the QR code above)

Quality & Service is everything at Mini Sport as **we want our customers to have the very best experience.** Working very closely & tirelessly with all our suppliers, whether they are our own internal engineering departments or are outsourced, to ensure that we supply our customers with only the very finest quality products every time. Our very experienced, dedicated & enthusiastic Sales department, with over 100 years experience between them, work perfectly in tandem with our brilliant Mail Order & Worldwide delivery department, always ready to help you with your every Mini need... With expertise & devotion to customer satisfaction that is second to none.

**We ship to over 120 countries worldwide daily,** everything from a small bolt up to a full body shells. Wherever you are in the world, and whatever your Mini needs, Mini Sport can supply you with those all important Mini parts and help you every step of the way.

Like you, our passion for the Mini runs deep, we live, eat and breath this fantastic little car!

Enjoy our New Catalogue and we look forward to serving you soon,

Best wishes,

Chris Harper | MD

**R RANGE BRAKE KITS**

The Best just got Better!

**Design & Innovation to meet the most demanding needs.**

Setting the benchmark even higher with the **R Division Range**, bringing the proud motorsport history that is part of the Mini Sport DNA, into the present.

**Lighter, Stronger, Safer**



**1st A World First in Mini Design**

Monoblock 4-piston calipers and vented 8.15" rotors, that fit under 10" Mini wheels

Uncompromisingly fulfilling the highest of standards in every last detail...



**See Page 40**

**Mk1 Body Original Specification Panels**



HERITAGE APPROVED

Genuine Mk1 Mini side and rear panels have not been available since the late 70's, until now...

...the only option available for original Mk1 restorations!



Developed by Mini Sport, approved by British Motor Heritage

See Page 13 for details

**COMING SOON:**  
MK1 Mini Floor panel and Front Toe Board (Lower Bulkhead)



**How to scan QR Codes?**

Depending on your device, you might already have a built-in QR Code reader. Open the camera on your phone and hold over a Code for a few seconds. If a notification doesn't pop up, check QR Code scanning is enabled in settings. If this does



not work, simply install third-party QR reader from your app store.





Mini Sport Limited  
Thompson Street, Padiham, Lancashire  
United Kingdom, BB12 7AP



**0**  
Mini Sport  
Exclusive Parts

**8**  
Body Panels  
& Restoration

**22**  
Suspension

**32**  
Drivetrain

**36**  
Brake  
System

**52**  
Engines &  
Components

**66**  
Tools

**69**  
Cylinder Heads  
& Components

**74**  
Tuning  
Kits

**78**  
Gearbox  
& Clutch

**88**  
Exhausts

**96**  
Carburettors  
& Fueling

**108**  
Cooling  
System

**114**  
Electrical

**124**  
Lighting

**128**  
Interior  
Trim

**152**  
Seats &  
Seatbelts

**155**  
Historic  
Competition

**162**  
Interior  
Styling

**170**  
Gauges

**172**  
Exterior  
Styling

**184**  
Wheels  
& Tyres

**191**  
Books & DVD's

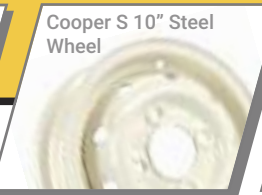
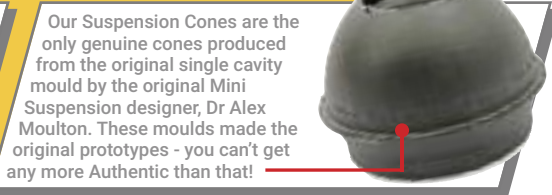


# British Engineering

Designed, Manufactured & Tested  
in Padiham, UK

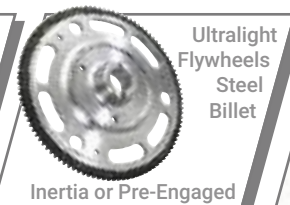
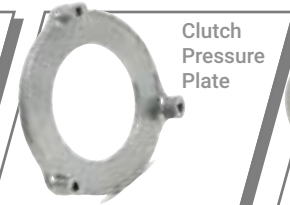
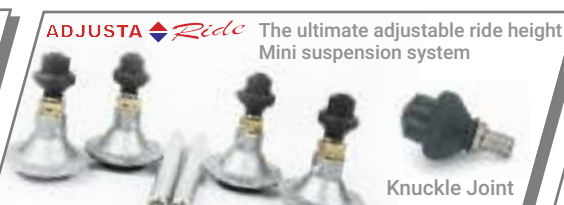
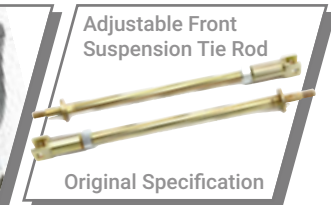
A Selection of original specification & original tooling parts from Mini Sport

Mini Sport take pride in providing exclusive, world-class, high-quality Mini components, guaranteed levels of quality, performance & durability that our customers have come to expect from Mini Sport products.

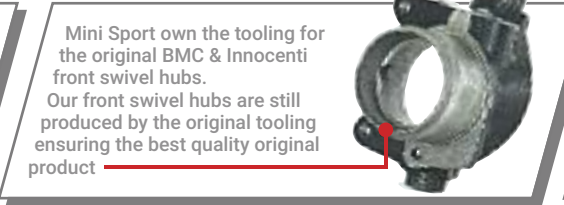
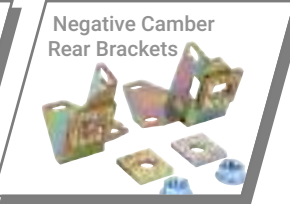
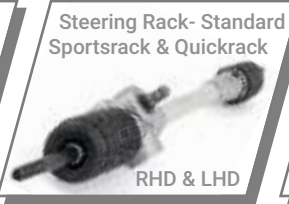
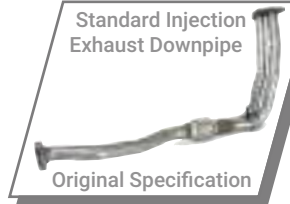


## Research & Development

Innovation is at the core of our Product Manufacture



## Mini Sport | Quality Parts for Mini



## Exclusive Collections



Mini Sport is the only authorised Cooper Car Company dealer in the UK. Working closely with John Michael Cooper to design and manufacture a range of exclusive products and parts, reminiscent of the original designs produced by his father, John Cooper, in the rise of the Mini Cooper's popularity.

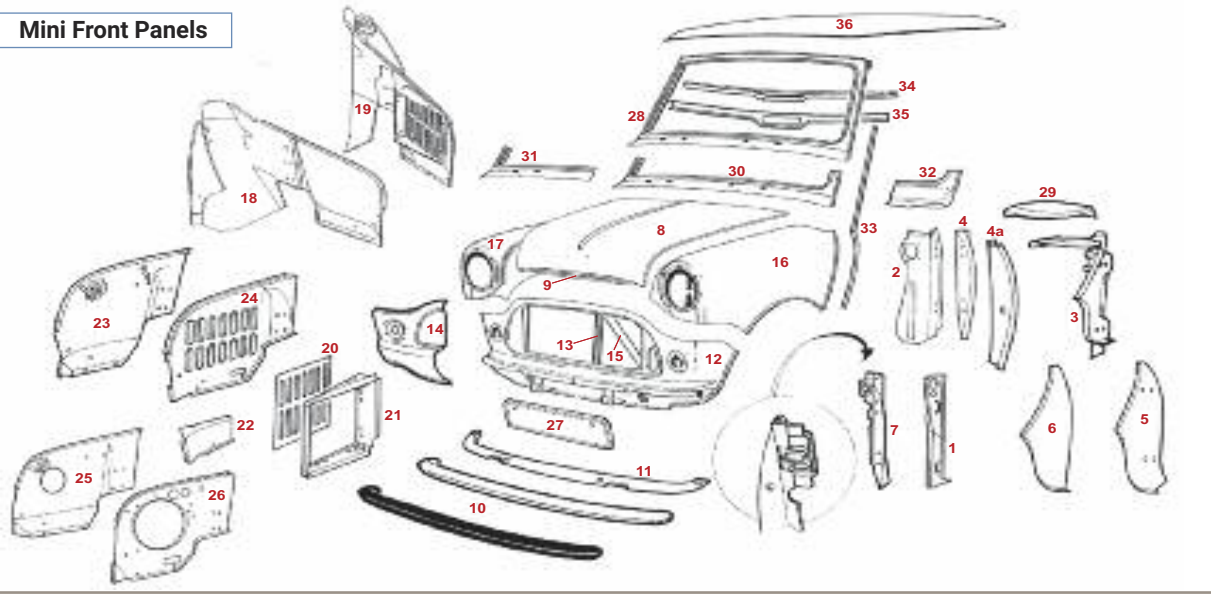
The Mini legend himself, Paddy Hopkirk approached Mini Sport about producing a unique range of products, the result is an outstanding collection of parts and accessories that perfectly integrate Mini Sport's philosophy of combining classic heritage with modern engineering and levels of quality.

With the Exclusive Mini Sport R Division Range, Mini Sport set the benchmark even higher bringing the proud motorsport history that is part of the Mini Sport DNA, into the present.





Mini Front Panels

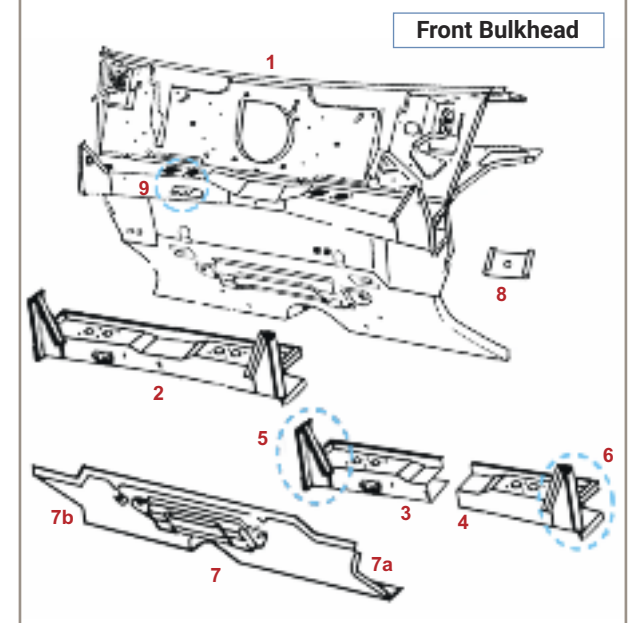


Mini Front End Panels, Inner Wings & Door Mounting Panels

Pic No	Description and Fitment	Heritage Genuine	Magnum Classic	Re-production Original Spec
1	MK3 A Post Boxing Panel LH	ALA5687		MCR13.36.03.03
1	MK3 A Post Boxing Panel RH	ALA5686		MCR13.36.03.04
	MK1/2 A Post Boxing Panel LH			MCR11.36.03.03
	MK1/2 A Post Boxing Panel RH			MCR11.36.03.04
2	A Post Hinge Panel inc Inner Wing Rear Edge MK3 LH		40-12-36-3	
2	A Post Hinge Panel inc Inner Wing Rear Edge MK3 RH		40-12-36-4	
2	Inner Wing Rear Repair MK1-Van-Pick Up LH			MCR11.21.00.87
2	Inner Wing Rear Repair MK1-Van-Pick Up RH			MCR11.21.00.88
	Mini Mk3 Panel Behind Door Jamb LH		40-12-36-1	
	Mini Mk3 Panel Behind Door Jamb RH		40-12-36-2	
3	A Post Inner Mk1/2 LH	14A8347	40-10-40-1	MCR11.21.00.17P
3	A Post Inner Mk1/2 RH	14A8346	40-10-40-2	MCR11.21.00.18P
4	A Post Inner Mk3 LH - Without Check Strap Bracket		40-12-40-1	
4	A Post Inner Mk3 RH - Without Check Strap Bracket		40-12-40-2	
	Door Pillar/Apex Panel L/H Mk1/2			MCR11.14.10.87
	Door Pillar/Apex Panel R/H Mk1/2			MCR11.14.10.88
4a	Door Post Front inc Switch Hole Mk1/2 LH		40-10-36-1	MCR11.14.10.67
4a	Door Post Front inc Switch Hole Mk1/2 RH		40-10-36-2	MCR11.14.10.68
5	A Post Outer Mk1/2 LH	14A6902	40-10-35-1	
5	A Post Outer Mk1/2 RH	14A6901	40-10-35-2	
6	A Post Outer Mk3on LH	ALA5661	40-12-35-1	
6	A Post Outer Mk3on RH	ALA5660	40-12-35-2	
7	A Post Inner Mk3 LH - With Check Strap Bracket	ALA6473	40-12-40-3	
7	A Post Inner Mk3 RH - With Check Strap Bracket	ALA6472	40-12-40-4	
8	Bonnet Assembly 1970-1996	CZH455	40-10-28-1	
8	Bonnet Assembly 97 on MPI	BKA360070	40-12-28-0	
8	Bonnet Assembly - 97 on Japan spec	BKA360110		
8	Bonnet Assembly Mk1 59-67	24A1182	40-10-28-0	
8	Bonnet Assembly Mk2 67-69	ALA7455	40-10-28-1	
8	Bonnet Assembly Mk3/Van 72-83	ALA8430		
	Bonnet Outer Skin Only - Unpainted		40-10-28-5	
	Bonnet Catch Plate	AAM1223		
	Bonnet Slam Panel to 1996		40-10-27-0	
	Bonnet Slam Panel 97 on		40-12-27-0	
9	Bonnet Grille Moulding Support	ALA6664	40-10-28-2	
	Bonnet Hinge Mk1/2 59-69 LH	14A7247		
	Bonnet Hinge Mk1/2 59-69 RH	14A7246		
	Bonnet Hinge Kit 70on	HMP441027		
	Bonnet Hinge Mk3 70on RH	BMP348		
	Bonnet Safety Catch with Spring	FPC100130		
	Bonnet Prop Rod	24A857		
10	Bumper Black Front/Rear		40-10-90-2	
10	Bumper Chrome Front/Rear		40-10-90-0	
10	Bumper Stainless Front/Rear		40-10-90-5	
10	Bumper Stainless Steel OE Spec Front/Rear		14A6779MS	DPB10166
11	Front Bumper Mounting Panel Mk1/2/3etc	BMP103	40-10-20-03	
12	Front Panel 89-96	ASJ36002	40-12-20-0	
12	Front Panel 97 on	ASJ360070	40-12-20-1	

Pic No	Description and Fitment	Heritage Genuine	Magnum Classic	Re-production Original Spec
12	Front Panel Complete 6/76 on	ALA8619	40-12-20-0	
12	Front Panel Complete to 5/76	14A8308	40-10-20-0	
12	Front Panel Mk1 to 64			MCR11.18.00.00
12	Front Panel Mk1 64 on			MCR11.18.01.00
12	Front Panel Mk1 'S'			MCR51.18.00.00
12	Front Panel Mk1 'S' 64			MCR51.18.01.00
12	Front Panel Mk2/3 'S'			MCR52.18.01.00
	Front Panel 1976on No Bumper Mount - Grasstreck		40-12-20-4	
	Front Panel 1976on Outer Skin Only		40-12-20-5	
13	Front Panel Stiffener	ALA4583	40-10-20-04	MCR11.18.01.19
14	Front Panel Corner Section LH		40-10-22-1	
14	Front Panel Corner Section RH		40-10-22-2	
15	Front Panel Diagonal Stiffener	24A1918		MCR11.18.01.29
	Front Panel Stiffener 1997 on		40-12-20-4	
16	Front Wing (ex side repeaters) LH	14A7241	40-10-31-1	
16	Front Wing With Aerial & Side Repeater LH	BMP455	40-10-31-4	
17	Front Wing (ex side repeaters) RH	14A7240	40-10-31-2	
17	Front Wing inc Side Repeater RH	BMP454	40-10-31-3	
	Headlight Mounting Support Ring		40-10-25-0	
	Steel Headlamp Bowl 7" Diameter		40-10-25-3	
	Plastic Headlamp Bowl with inner rim and seal		99-01-003	
	LH Front Wing MPI 97 on	ASB 360010	40-10-31-5	
	Wheelarch Reinforcement Kit for 13" Wheels	HMP441029		
	Inner Wing LH 59-69 - Only	14A7901		
	Inner Wing RH 59-69 - Only	14A7900		
	Inner Wing Mk1 LH			MCR11.21.00.01
	Inner Wing Mk1 RH			MCR11.21.00.02
	Inner Wing Mk2 LH			MCR12.21.00.01
	Inner Wing Mk2 RH			MCR12.21.00.02
	LH Inner Wing 69-89	ALA 6271		
18	Inner Wing R/H 1969 on	ABD36006		
	Inner Wing 97 on LH	ABD 360180		
18	Inner Wing Assembly 76-89 RH	ABD36004		
19	Inner Wing Assembly 76-89 LH	ALA6279		
19	Inner Wing + A Panel 1990-96 LH	ABD 36005		
19	Inner Wing Assembly 96on LH MPI	ABD360200		
20	Inner Wing Cooling Slats Panel '59-89	HMP441023	40-10-38-6	MCR11.21.00.67
	Inner Wing Lower Repair LH			MCR11.21.00.57
	Inner Wing Lower Repair RH			MCR11.21.00.58
21	Radiator Cowling Mk1/2/3	14A6498	40-10-38-5	MCR11.21.00.77
22	Inner Wing Front Corner Plate LH		40-10-38-7	
22	Inner Wing Front Corner Plate RH		40-10-38-8	
23	Inner Wing Half to 70 RH		40-10-38-4	
24	Inner Wing Half to 90 LH		40-10-38-1	
25	Inner Wing Half 70on RH		40-10-38-2	
26	Inner Wing Half 91on LH		40-10-38-3	
27	Number Plate Carrier Front Mk1/2		40-10-20-5	MCR11.18.04.05

Front Bulkhead



Front Bulkhead Panels

Pic No	Description and Fitment	Heritage Genuine	Magnum Classic	Re-production Original Spec
1	Bulkhead Comp Assembly '90 on	AHA36005		
1	Bulkhead Comp Assembly 76-89	CZH3216		
	Bulkhead Gasket Hose Plate			MCR11.24.05.05
	Bulkhead Gasket Master cyl plate			MCR11.24.04.05
	Bulkhead Sound Insulation			CZH798
2	Bulkhead X Member Complete Assembly	AHC36003		
3	Bulkhead 1/2 X-Member Assembly RH	AHC36003R		
4	Bulkhead 1/2 X-Member Assembly LH	AHC36003L		
6	Bulkhead X-Member Support Bracket LH	AHP36007		
5	Bulkhead X-Member Support Bracket RH	AHP36001		
	Bracket X Member To Inner Wing L/H Mk1/2			MCR 11.23.05.03
	Bracket X Member To Inner Wing R/H Mk1/2			MCR 11.23.05.04
7	Floor Toeboard Comp Assembly	AHA36006		
	Floor Toeboard Panel	AHA36007		
	Toeboard Mk1-3			MCR11.36.00.00
	<b>MK1 Toeboard</b>			14A6487
7a	Toeboard End Repair LH			MCR11.36.00.17
7b	Toeboard End Repair RH			MCR11.36.00.18
8	Washer Bottle Support Bracket	CZG1496		
9	Bulkhead Engine Stabiliser Bracket	14A6730	40-10-38-9	

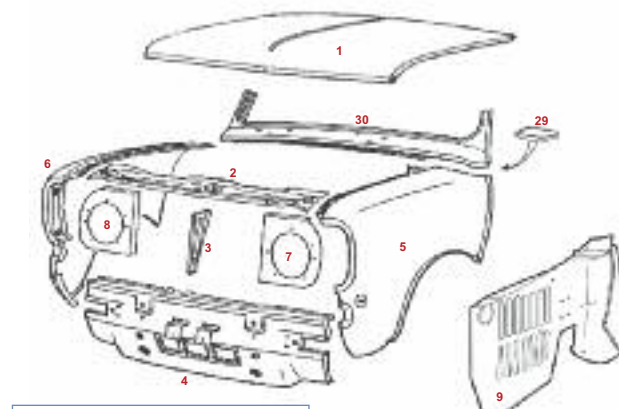
Mini Front End Panels continued...

Pic No	Description and Fitment	Heritage Genuine	Magnum Classic	Re-production Original Spec
	S/T Jacking Point - Works Type			MCR11.91.02.05
28	Screen Complete Surround	CZH3140		
29	Scuttle Inner Repair Panel Mk3 LH	14A8349	40-10-33-1	MCR11.25.01.03
29	Scuttle Inner Repair Panel Mk3 RH	14A8348	40-10-33-2	MCR11.25.01.04
30	Scuttle Panel Complete	HMP441001	40-10-32-0	
31	Scuttle Panel Half LH		40-10-32-3	
31	Scuttle Panel Half RH		40-10-32-4	
32	Scuttle Panel Repair LH		40-10-32-1	
32	Scuttle Panel Repair RH		40-10-32-2	
33	Seam Cover Strip Front	14A9999	40-10-40-0	
34	Upper Dash Rail	14A6675		
35	Lower Dash Rail	BMP102		
	Roof Drip Rail Mk1/2			MCR11.14.02.05
36	Roof Panel	14A5503		
36	Roof Panel - Late	AKA 360010		
	Trim Roof Gutter Black		YGA1106/7	
	Trim Roof Gutter Chrome		GAC8494X	

Bonnet Hinges & Fittings

Pic No	Description and Fitment	Heritage Genuine	Magnum Classic	Re-production Original Spec
	14A7246			Bonnet Hinge Mk1/2 - Right Side
	14A7247			Bonnet Hinge Mk1/2 - Left Side
	BMP348			Bonnet Hinge Mk3 - Right Side
1	HMP441027			Bonnet Hinge Kit 70 on - Car Set
2	SMB189			Bonnet Slam Catch Plate - Stainless
3	SMB182/1			Bonnet Hinges - Powder Coated
	SMB182			Bonnet Hinges - Stainless
	SMBFK045			Bonnet Hinge Fitting Kit
	SMB03			Mpi Bonnet Catch - Stainless
	SMB193			MPI Wing Bonnet Plate
	SMB13			Bonnet Slam Catch (internal release grill) - Stainless
	SMB14			Bonnet Slam Catch (external release grill) - Stainless
	14A6586			Bonnet Striker Pin
	FPQ10001			Bonnet Striker Pin Spring
	AAM1223			Bonnet Catch Plate
	FSE10020KIT			Internal Bonnet Release Kit
	14G6856			Bonnet Rebound Rubber
	AL8706			Bonnet Safety Catch with Bracket and Spring
	SMB36			Clubman Bonnet Catch & Fittings - Stainless
	SMB126			Clubman Bonnet Catch & Fittings - Powder Coated
	4G3676			Clubman Bonnet Lock Thimble
	AAU5486A			Clubman Bonnet Buffer
	24A857			Bonnet Stay Rod - Bent type
	24A859			Bonnet Stay Rod Fixing Clip
	2H9215			Bonnet Rod Clip Rubber
	CZH209			Bonnet Stay Clip
	SMB44			Bonnet Stay Rod - Bent Type Stainless
	SMB45			Bonnet Stay Rod - Straight Type Stainless

Front Clubman Front End Panels



Clubman Front Panels

Pic No	Description and Fitment	Heritage Genuine	Magnum Classic	Re-production Original Spec
1	Clubman Bonnet Assembly	CZH2609		
2	Clubman Bonnet Slam Panel	CZH149	40-13-27-0	
3	Bonnet Lock Support - Clubman	CZH155		
4	Clubman Front Panel Lower 1970-76	CZH563		
4	Clubman Front Panel Lower 1976-83	AAM1022		
	Clubman Front Panel 1970-76	HMP441039		
	Clubman Front Panel 1976-83	HMP441040		
5	Clubman Front Wing LH	CZH409		
6	Clubman Front Wing RH	CZH408		
7	Clubman Headlamp Panel LH	CZH121	40-13-24-1	
8	Clubman Headlamp Panel RH	CZH120	40-13-24-2	
9	Clubman Inner Wing LH	CZH569		
	Clubman Inner Wing RH	CZH414		
9	Clubman Inner Wing with A Panel LH	CZH567		
	Clubman Inner Wing with A Panel RH	CZH410		
	Clubman Radiator Cowling Assembly	CZH570		
	Clubman 1275GT Front Bumper	CZH600Z		



Body Panels & Restoration

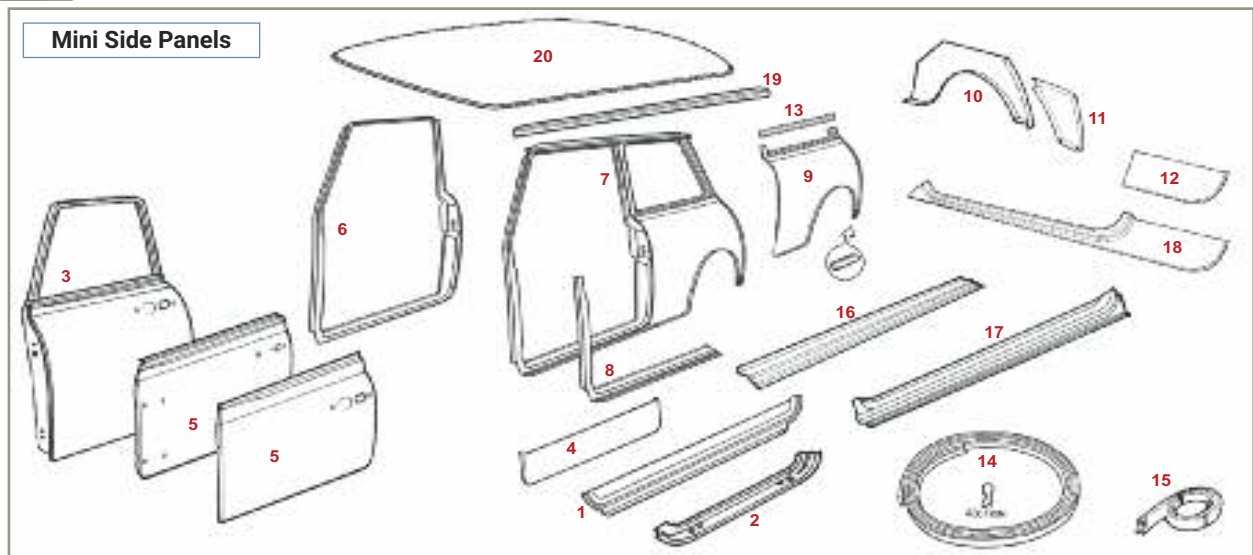
Body Panels & Restoration



Body Panels & Restoration

Body Panels & Restoration

Mini Side Panels

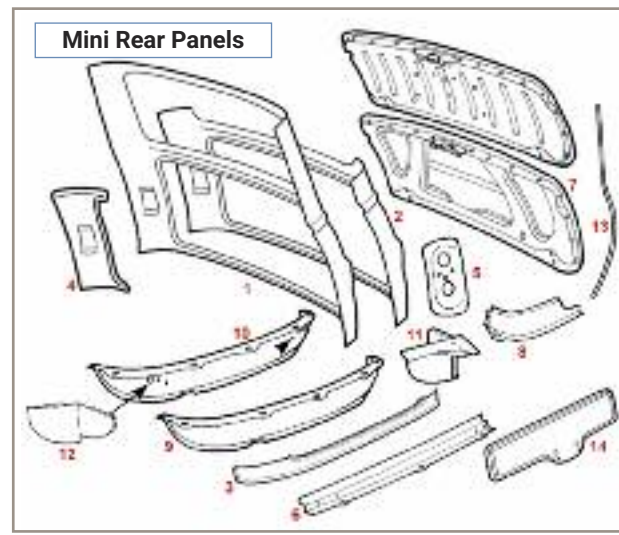


Mini Side Panels, Doors & Roof

Pic No	Description and Fitment	Heritage Genuine	Magnum Classic	Re-production Original Spec
1	Door Bottom Inner Mk3on LH		40-12-13-1	
1	Door Bottom Inner Mk3on RH		40-12-13-2	
	Door Buffer Mk1/2			14A6833
	Door Check Arm Assembly Mk3 on		ADA5671	ADA5671OE
	Door Check Strap - Black			NCMDC3005A
	Door Check Strap - Blue			NCMDC3005PB
	Door Check Strap - Green			NCMDC3005J
	Door Check Strap - Grey			NCMDC3005G
	Door Check Strap - Red			NCMDC3005M
	Door Chrome Moulding Clip Lower			13H525
	Door Chrome Moulding Rivetts Upper			13H749
2	Door Frame Bottom Mk1/2 LH		40-10-13-1	MCR11.15.00.27
2	Door Frame Bottom Mk1/2 RH		40-10-13-2	MCR11.15.00.28
2	Mk3 Door Bottom Inner Frame LH		40-12-13-3	
2	Mk3 Door Bottom Inner Frame RH		40-12-13-4	
	Lower Window Channel Support Mk1/2 Door			MCR11.15.14.05
	Door Top Inner Rail Repair Mk1/2			MCR11.15.14.06
	Door Top Inner Rail Repair With Pressing Mk1/2			MCR11.15.14.07
	Door Hinge Gasket Mk1/2 Long			MCR11.15.12.05
	Door Hinge Gasket Mk1/2 Short			MCR11.15.11.05
	Door Hinge Gasket Rear Van			MCR21.11.03.05
	Door Hinge Kit (4 Hinges) Mk3on	HMP441030	CZH202KIT	
	Door Hinge Lower Mk3on		CZH212	
	Door Hinge Upper Mk3on LH	CZH203OE	CZH203	
	Door Hinge Upper Mk3on RH	CZH202OE	CZH202	
3	Door Mk1/2 59-69 LH	14A8307		MCR11.15.00.01
3	Door Mk1/2 59-69 RH	14A8306		MCR11.15.00.02
3	Door Mk3/4/5 Side Impact Bar LH - No Hinges	BDA360110		
3	Door Mk3/4/5 Side Impact Bar RH - No Hinges	BDA360100		
3	Door Mk3/4/5 Less Hinges LH	BMP327		
3	Door Mk3/4/5 Less Hinges RH	BMP326		
	Door Pocket Moulding Chrome Mk1/2			24A1169
	Door Top Inner Rail Repair With Pressing Mk1/2 LH			MCR11.15.16.07
	Door Top Inner Rail Repair With Pressing Mk1/2 RH			MCR11.15.16.08
	Door Post Repair Section LH			MCR11.14.00.67
	Door Post Repair Section RH			MCR11.14.00.68
4	Door Skin Lower Mk3 LH		40-12-12-1	
4	Door Skin Lower Mk3 RH		40-12-12-2	
5	Door Skin Mk1/2 LH	14A5499	40-10-11-1	
5	Door Skin Mk1/2 RH	14A5498	40-10-11-2	
5	Door Skin Aluminium Mk1/2 LH	HMP441053	40-10-11-3	
5	Door Skin Aluminium Mk1/2 RH	HMP441052	40-10-11-4	
5	Door Skin Mk3/4/5 LH	CZH3301	40-12-11-1	
5	Door Skin Mk3/4/5 RH	CZH3300	40-12-11-2	
5	Door Skin Aluminium Mk3 LH		40-12-11-3	

Pic No	Description and Fitment	Heritage Genuine	Magnum Classic	Re-production Original Spec
5	Door Skin Aluminium Mk3 RH		40-12-11-4	
5	Door Skin Mk3 - No Top Support Rail - Grasstrack LH		40-12-11-5	
5	Door Skin Mk3 - No Top Support Rail - Grasstrack RH		40-12-11-6	
	Window Regulator Mk3 LH		CZH647	
	Window Regulator Mk3 RH		CZH646	
	Window Regulator Channel Mk3 Front LH/Rear RH		40-12-11-7	ALA5747
	Window Regulator Channel Mk3 Rear LH/Front RH		40-12-11-8	ALA5746
	Window Regulator Channel Mk3 Door Pair		40-12-11-0	ALA5745
6	Door Surround Mk3 LH	CZH123		
6	Door Surround Mk3 RH	CZH122		
7	Side Panel Complete LH	CZH431		
7	Side Panel Complete RH	CZH430		
7	MK1 1 Piece Side Panel LH inc B post inner			24A2367
7	MK1 1 Piece Side Panel RH inc B post inner			24A2366
8	A Post with Door Step Repair LH	HMP441013		
8	A Post with Door Step Repair RH	HMP441012		
8	A Post & Part Door Step Repair LH		40-12-40-5	
8	A Post & Part Door Step Repair RH		40-12-40-6	
9	Side Panel Rear 1/4 Mk1/2 LH			MCR11.14.00.17
9	Side Panel Rear 1/4 Mk1/2 RH			MCR11.14.00.18
9	Side Panel Rear 1/4 Mk2/3on LH	HMP441015	40-12-51-1	
9	Side Panel Rear 1/4 Mk2/3on RH	HMP441014	40-12-51-2	
10	Side Panel Rear Wheelarch Repair LH MK1		40-10-59-1	
10	Side Panel Rear Wheelarch Repair RH MK1		40-10-59-2	
10	Side Panel Rear Wheelarch Repair LH 1970 on		40-12-59-1	
10	Side Panel Rear Wheelarch Repair RH 1970 on		40-12-59-2	
11	Side Panel Rear Bottom Corner Saloon LH		40-12-60-1	
11	Side Panel Rear Bottom Corner Saloon RH		40-12-60-2	
12	Side Panel Bottom Repair Arch to Door Mk3 LH		40-12-04-1	
12	Side Panel Bottom Repair Arch to Door Mk3 RH		40-12-04-2	
13	Side Panel Waist Rail Mk3 LH	CZH427		
13	Side Panel Waist Rail Mk3 RH	CZH426		
14	Trim Side Seam Deluxe Chrome		08-01-617	
15	Trim Side Seam Standard Chrome		GZF107	
16	Door Step Plain		40-10-04-0	
	Door Step LH - Mk1/2 - Van - Pick Up			MCR11.14.00.39
	Door Step RH - Mk1/2 - Van - Pick Up			MCR11.14.00.40
17	Door Step Shaped Mk3 LH		40-10-04-1	
17	Door Step Shaped Mk3 RH		40-10-04-2	
18	Door Step/Side Mk1/2 Saloon LH		40-10-05-1	
18	Door Step/Side Mk1/2 Saloon RH		40-10-05-2	
18	Door Step/Side Mk3 Saloon LH		40-12-05-1	
18	Door Step/Side Mk3 Saloon RH		40-12-05-2	
19	Roof Drip Rail Mk1/2			MCR11.14.02.05
20	Roof Panel			
20	Roof Panel - Late	AKA 360010		

Mini Rear Panels



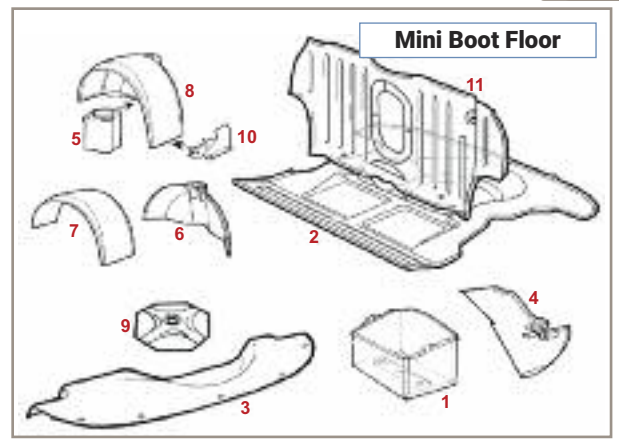
Mini Rear End Panels

Pic No	Description and Fitment	Heritage Genuine	Magnum Classic	Re-production Original Spec
1	MK1 Rear Panel 1-piece pressuing			14A6484
1	Back Panel Assembly	ALA6417		
1	Back Panel Assembly	HMP441022		
1	MK1 Back Panel	HMP441046		MCR11.12.00.00
2	Back Panel Lower Half Repair	HMP441019		
3	Back Panel Lower Repair	HMP441009		
4	Back Panel 1/4 Repair LH	CZH3061		
	Rear Screen Adaptor to Mk1 LH			MCR11.12.00.01
	Rear Screen Adaptor to Mk1 RH			MCR11.12.00.02
5	Lamp Adapter Plate (MK2 to Mk1) Rear LH		40-10-98-3	MCR12.12.00.47
5	Lamp Adapter Plate (MK2 to Mk1) Rear RH		40-10-98-4	MCR12.12.00.48
	Radius Arm Nipple Shroud Mk1 LH		40-10-82-5	MCR11.32.05.03
	Radius Arm Nipple Shroud Mk1 RH		40-10-82-6	MCR11.32.05.04
6	Boot Hinge Panel		40-10-67-0	
7	Boot Lid Mk1	28G110	40-10-70-2A	
7	Boot Lid 70-89	BMP339	40-10-70-0	
	Boot Lid Skin Mk1 Aluminium	HMP441051		
7	Boot Lid 90on	BMD36001	40-10-70-0	
7	Boot Lid Mk3 Enclosed Frame		40-10-70-1	
	Boot Lid Mk1 Enclosed Frame		40-10-70-3A	
	Boot Lid Hinge Gasket Upper			MCR20/A
	Boot Lid Hinge Gasket Lower			MCR20/B
	Boot Lid Hinge Pair	HMP441031	BMB36002/3	
	Boot Lid Skin Panel Mk3 70on	BMP102	40-10-70-5	
8	Rear Panel Lower Corner Repair LH		40-10-70-7	MCR11.12.00.37
8	Rear Panel Lower Corner Repair RH		40-10-70-8	MCR11.12.00.38
9	Rear Valance (no holes) Mk1/2 59-69	14A6940		
9	Rear Valance All	14A5497	40-10-68-0	
10	Rear Valance + Fog Light Ftgs	CZH3353	40-10-68-1	
11	Rear Valance Closing Assembly LH	HMP441021	40-10-62-3	MCR11.42.01.01
11	Rear Valance Closing Assembly RH	HMP441020	40-10-62-4	MCR11.42.01.02
12	Rear Valance Filler Saloon LH	ALA5525	40-10-62-1	
12	Rear Valance Filler Saloon RH	ALA5524	40-10-62-2	
	Seam Cover Rear Lower	14A6782		
13	Seam Cover Strip Rear LH	14A6784	40-10-70-3	
13	Seam Cover Strip Rear RH	14A6783	40-10-70-4	
14	Number Plate Carrier Rear Mk1/2		40-10-70-6	
14	Number Plate Carrier Rear Mk1/2		14A6468	

Boot Lid Hinges & Fittings

A	BMB36002/3	Boot Lid Hinges	Pair
	HMP441031	Boot Lid Hinges - Genuine	Pair
	SPD0002	Chrome Boot Hinges	Pair
B	MCR20/A	Gasket - Boot Lid Hinge	Upper
	MCR20/B	Gasket - Boot Lid Hinge	Lower
	SG604051	Screw - Boot Hinge	
	14A6740	Boot Lid Cable	
C	14A6584	Seal - Boot Lid to '87	
	CKE10018	Seal - Boot Lid '88 on	

Mini Boot Floor



Mini Boot Floor & Rear Bulkhead Panels

Pic No	Description and Fitment	Heritage Genuine	Magnum Classic	Re-production Original Spec
1	Battery Box	14A6499	40-10-69-0	
1	Battery Box and Strap Kit	14A6499K		
	Battery Strap	14A7776		
2	Boot Floor with Battery Box	HMP441016		
2	Boot Floor - No Battery Box	ALA5513		
	Boot floor with battery box Mk1/2			MCR11.41.00.00
3	Boot Floor Rear Repair Section			40-10-88-0 MCR11.41.00.36
4	Boot Floor Side Repair Panel LH			40-10-88-1 MCR11.41.00.27
4	Boot Floor Side Repair Panel RH			40-10-88-2 MCR11.41.00.28
5	Rear Wheel Arch Shock Mount Repair			40-10-55-0
6	Rear Wheel Arch Inner inc Shock Mount Rear LH	HMP441011		40-10-55-3
6	Rear Wheel Arch Inner inc Shock Mount Rear RH	HMP441010		40-10-55-4
7	Rear Wheel Arch Outer LH	14A6618		40-10-55-5
7	Rear Wheel Arch Outer RH	14A6617		40-10-55-6
8	Rear Wheel Arch Complete LH	14A9559		40-10-55-1
8	Rear Wheel Arch Complete RH	14A9558		40-10-55-2
	Rear Wheel Arch Stiffener LH			40-10-55-7
	Rear Wheel Arch Stiffener RH			40-10-55-8
	Rear Wheel Arch Stiffener to Bulkhead LH	ALA5533		40-10-55-9 MCR11.41.03.03
	Rear Wheel Arch Stiffener to Bulkhead RH	ALA5532		40-10-55-10 MCR11.41.03.04
9	Boot Floor Spare Wheel Mounting Mk1			40-10-88-9 MCR11.41.05.05
	Space Wheel Clamp 59-69	14A6511		MCR11.41.06.05
10	Boot Floor to Wheel Arch Support Bracket LH	14A6610		40-10-55-7 MCR11.41.04.03
10	Boot Floor to Wheel Arch Support Bracket RH	14A6609		40-10-55-8 MCR11.41.04.04
	Rear Seat Corner Repair LH			40-10-76-5 MCR11.41.00.17
	Rear Seat Corner Repair RH			40-10-76-6 MCR11.41.00.18
	Main Floor Multiclip	ALA 5527		
	RH Seat Squab to Boot Floor Braces	ALA 5532		
	LH Seat Squab to Boot Floor Braces	ALA 5533		
	Boot Floor Fuel Tank Stand LH	14A6867	40-10-88-5	MCR11.41.01.03
	Boot Floor Fuel Tank Stand RH	21A1330	40-10-88-6	MCR11.41.01.04
	Boot Floor Tank Mounting Reinforcing Bracket 1959-76	14A6565		
	Tank Strap Bracket LH			MCR14.41.23.01
	Tank Strap Bracket RH			MCR11.41.20.00
11	Bulkhead Rear Seat	24A2204		
	Rear Bulkhead Mk1/2			MCR11.41.19.00
	Rear Parcel Shelf	14A6564		



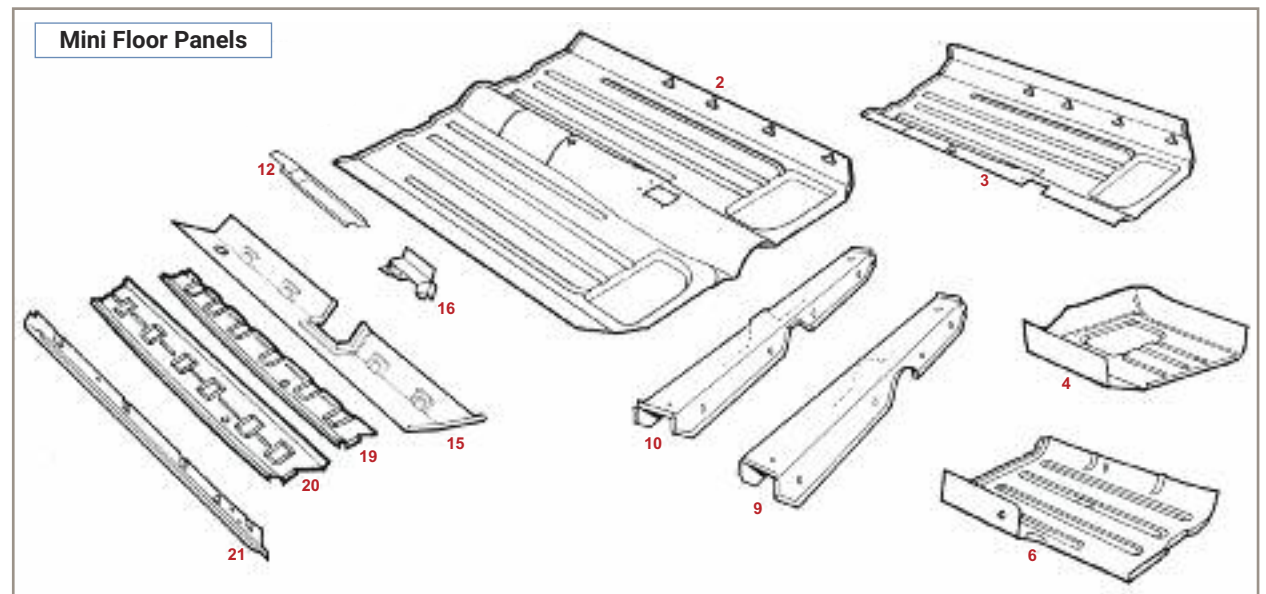
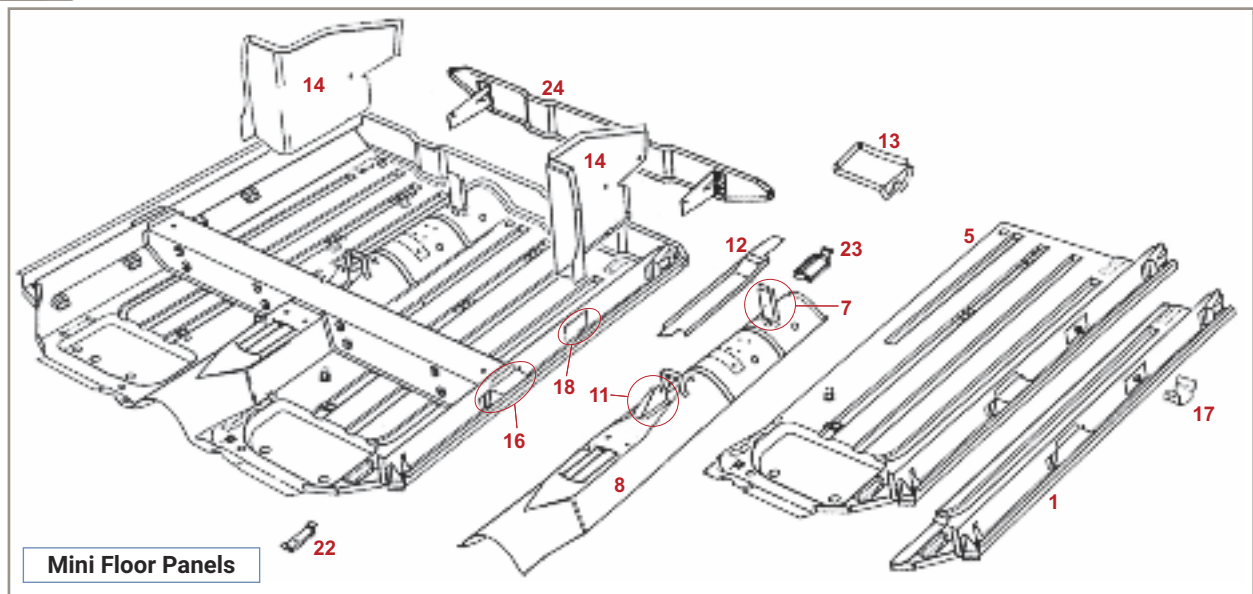
D	14A6584	Clip - Boot Lid Seal	
	14A6466	Number Plate Hinge Mk1/ 2	Right Side
	14A6467	Number Plate Hinge Mk1/ 2	Left Side
	5MB08	Boot Latch Cover - Stainless	
	5MBF009	Boot Lid Fitting Kit	





Body Panels & Restoration

Body Panels & Restoration



Mini Floor Panels, Sills & Centre Tunnel

Pic No	Description and Fitment	Heritage Genuine	Magnum Classic	Re-production Original Spec
1	Floor to 1st Groove with Sills Saloon LH	ADA36002LQ		MCR14.33.01.27
1	Floor to 1st Groove with Sills Saloon RH	ADA36002RQ		MCR14.33.01.28
	Floor to 1st Groove with Sills Saloon LH MK1-3			MCR11.33.01.27
	Floor to 1st Groove with Sills Saloon RH MK1-3			MCR11.33.01.28
	Floor to 1st Groove with Sills Saloon to 1992 LH		40-12-75-5	
	Floor to 1st Groove with Sills Saloon to 1992 RH		40-12-75-6	
2	Floor Assembly Comp inc Inner & Outer Sills 1990 on	ADA36002		
2	Floor Assembly Comp inc Inner & Outer Sills 1976-89	ADA36002E		MCR13.33.00.00
2	Floor Assembly Full Width 76 on	CZH2669		
2	Floor Assembly Full Width inc Inner & Outer Sills Mk1		40-10-75-0F	MCR11.33.00.00
2	Floor Assembly Full Width inc Inner & Outer Sills MK2/3			MCR12.33.00.00
3	Floor Panel Front - Rear inc Inner Sill LH	HMP441005		MCR11.31.04.17
3	Floor Panel Front - Rear inc Inner Sill RH	HMP441004		MCR11.31.04.18
3	Floor Panel Front - Rear inc Inner Sill to 1970 LH		40-10-75-1	
3	Floor Panel Front - Rear inc Inner Sill to 1970 RH		40-10-75-2	
3	Floor Panel Front - Rear inc Inner Sill 1974-92 LH		40-12-75-1	
3	Floor Panel Front - Rear inc Inner Sill 1974-92 RH		40-12-75-2	
3	Floor Panel Front - Rear inc Inner Sill 1992 on LH		40-14-75-1	
3	Floor Panel Front - Rear inc Inner Sill 1992 on RH		40-14-75-2	
3	Floor Panel Front - Rear LH			MCR11.31.04.47
3	Floor Panel Front - Rear RH			MCR11.31.04.48
3	Mini MK1 Half Floor Inc Part Tunnel LH		40-10-75-1A	
3	Mini MK1 Half Floor Inc Part Tunnel RH		40-10-75-2A	
4	Floor Panel Front LH to 1992		40-10-74-1	
4	Floor Panel Front RH to 1992		40-10-74-2	
4	Floor Panel Front LH to 1992 (restoration)		40-10-74-1A	
4	Floor Panel Front RH to 1992 (restoration)		40-10-74-2A	
4	Floor Panel Front LH 1992 on (restoration)		40-14-74-1	
4	Floor Panel Front RH 1992 on (restoration)		40-14-74-2	
5	Floor Panel Front to Rear includes Inner and Outer Sill Saloon LH 1990 on	ADA36002LH		
5	Floor Panel Front to Rear includes Inner and Outer Sill Saloon RH 1990 on	ADA36002RH		
5	Floor Panel Front to Rear includes Inner and Outer Sill Saloon LH MK1-3			MCR11.33.01.37
5	Floor Panel Front to Rear includes Inner and Outer Sill Saloon RH MK1-3			MCR11.33.01.38
5	Floor Panel Front to Rear includes Inner and Outer Sill Saloon LH MK3-5			MCR14.33.01.37
5	Floor Panel Front to Rear includes Inner and Outer Sill Saloon RH MK3-5			MCR14.33.01.38
5	Floor Panel Front to Rear includes Inner and Outer Sill Saloon LH to 1970		40-10-75-3	

Pic No	Description and Fitment	Heritage Genuine	Magnum Classic	Re-production Original Spec
5	Floor Panel Front to Rear includes Inner and Outer Sill Saloon RH to 1970		40-10-75-4	
5	Floor Panel Front to Rear includes Inner and Outer Sill Saloon LH 1974-92		40-12-75-3	
5	Floor Panel Front to Rear includes Inner and Outer Sill Saloon RH 1974-92		40-12-75-4	
5	Floor Panel Front to Rear includes Inner and Outer Sill Saloon LH 1992 on		40-14-75-3	
5	Floor Panel Front to Rear includes Inner and Outer Sill Saloon RH 1992 on		40-14-75-4	
6	Floor Panel Rear LH		40-10-76-1	
6	Floor Panel Rear RH		40-10-76-2	
6	Floor Panel Rear - Full Inner Sill LH		40-12-76-3	MCR11.31.04.67
6	Floor Panel Rear - Full Inner Sill RH		40-12-76-4	MCR11.31.04.68
6	Floor Panel Rear - Full Inner Sill 1992 on LH		40-14-76-1	
6	Floor Panel Rear - Full Inner Sill 1992 on RH		40-14-76-2	
7	Floor Tunnel To Rear Seat Support	14A6624		MCR11.32.08.05
	Floor Toeboard Comp Assembly (see page 7)	AHA36006		
	Floor Toeboard Panel	AHA36007		
	Toe Board Mk1-3			MCR11.36.00.00
	Toe Board End Repair LH			MCR11.36.00.17
	Toe Board End Repair RH			MCR11.36.00.18
8	Floor Tunnel Assembly 76-89	ADA36002EC		
8	Floor Tunnel Assembly 90on	ADA36002C		
8	Floor Tunnel Assembly Round Mk1 - Magic Wand Type			MCR11.31.04.75
8	Floor Tunnel Assembly Round Mk1/2 - Remote			MCR12.31.04.75
9	Floor X Member Assembly - Remote Change up '70		40-10-001	MCR11.32.01.05
10	Floor X Member Assembly - Rod Change '70 on	CZH2675	40-10-002	MCR13.32.01.05
	Floor X-Member 1/2 LH	CZH2675R		
	Floor X-Member 1/2 RH	CZH2675L		
	Floor X/Member End LH			MCR11.32.01.17
	Floor X/Member End RH			MCR11.32.01.18
	Standard Seat Brackets (1 seat) - Powder Coated			SMB195
	Standard Seat Brackets (2 seats) - Powder Coated			SMB195/1
	Standard Seat Brackets (2 seats) - Stainless			SMB191
	Seat Stay Brackets (Pair) - Stainless			SMB127
	Seat Bracket Fitting Kit			SMBFK005
	Seat Loop Fitting Kit			SMBFK002
	Front Seat Stay Bracket	HFU10001		
11	Hand Brake Mounting Bracket	CZH3214		MCR11.32.07.05
12	Pocket Closing Plate LH	14A8995		MCR11.37.02.03
12	Pocket Closing Plate RH	14A8994		MCR11.37.02.04
13	Pocket Filler LH	14A6612	40-10-82-7	MCR11.41.07.03
13	Pocket Filler RH	14A6611	40-10-82-8	MCR11.41.07.04
	Pocket Filler Segment LH		40-10-82-9	MCR11.41.08.03

Mini Floor Panels, Sills & Centre Tunnel continued...

Pic No	Description and Fitment	Heritage Genuine	Magnum Classic	Re-production Original Spec
	Pocket Filler Segment RH		40-10-82-10	MCR11.41.08.04
14	Pocket - Companion Box Assembly LH	ADO360030/LH		
14	Pocket - Companion Box Assembly RH	ADO360020/RH		
14	Companion Box Assembly LH MK1-2		40-10-51-5	MCR11.37.00.03
14	Companion Box Assembly RH MK1-2		40-10-51-6	MCR11.37.00.04
14	Companion Box Repair Panel LH MK1-2		40-10-51-7	MCR11.37.00.17
14	Companion Box Repair Panel RH MK1-2		40-10-51-8	MCR11.37.00.18
14	Companion Box Assembly LH MK3 on			MCR13.37.00.03
14	Companion Box Assembly RH MK3 on			MCR13.37.00.04
14	Companion Box Repair Panel LH MK3			MCR13.37.00.17
14	Companion Box Repair Panel RH MK3			MCR13.37.00.18
	Companion Box Ash Tray Mount LH			MCR11.37.01.03
	Companion Box Ash Tray Mount RH			MCR11.37.01.04
	Sill Inner & Outer Complete LH MK1-3			MCR11.33.01.17
	Sill Inner & Outer Complete RH MK1-3			MCR11.33.01.18
	Sill Inner & Outer Complete LH MK3-5			MCR14.33.01.17
	Sill Inner & Outer Complete RH MK3-5			MCR14.33.01.18
	Sill Inner Complete LH		40-10-06-3	MCR11.31.04.27
	Sill Inner Complete RH		40-10-06-4	MCR11.31.04.28
15	Sill Inner Repair Panel LH		40-10-06-1	
15	Sill Inner Repair Panel RH		40-10-06-2	
16	Sill Jacking Point Complete LH	14A8375	40-10-78-1	MCR11.32.06.01
16	Sill Jacking Point Complete RH	14A8374	40-10-78-2	MCR11.32.06.02
17	Jacking Point Only LH	14A8336		
17	Jacking Point Only RH	14A8337		
	Sill Reinforcing Bracket - Front	14A9550		
	Sill Reinforcing Bracket - Rear	RH14A9552		

Pic No	Description and Fitment	Heritage Genuine	Magnum Classic	Re-production Original Spec
	Sill Reinforcing Bracket - Rear LH	14A9553		
18	Seat Belt Mounting Plate - Inner Sill	24A2186		MCR11.31.10.00
	Sill Kick Strip Alloy			14A7270
19	Sill Outer 4.1/2" Wide LH		40-12-00-1	
19	Sill Outer 4.1/2" Wide RH		40-12-00-2	
20	Sill Outer 9" Wide MK1/2 to 1970 LH		40-10-01-1	
20	Sill Outer 9" Wide MK1/2 to 1970 RH		40-10-01-2	
20	Sill Outer 9" Wide 1970 on LH		40-12-01-1	
20	Sill Outer 9" Wide 1970 on RH		40-12-01-2	
21	Sill Outer as Original Mk1/2 Saloon LH		40-10-00-1	MCR11.32.00.01
21	Sill Outer as Original Mk1/2 Saloon RH		40-10-00-2	MCR11.32.00.02
21	Sill Outer Original Mk3 on LH	14A9535	40-12-00-3	MCR14.32.00.01
21	Sill Outer Original Mk3 on RH	14A9534	40-12-00-4	MCR14.32.00.02
22	Slinging Bracket Front	24A41		MCR11.31.07.05
23	Slinging Bracket Rear LH	24A43		MCR11.31.08.03
23	Slinging Bracket Rear RH	24A42		MCR11.31.08.04
	Main Floor Multiclip	ALA 5527		
	SupportCable/Pipe Support - 4 Finger - Mk1-5			MCR11.31.05.05
	SupportCable/Pipe Support - 3 Finger - Mk1-5			MCR11.31.06.05
	Battery Cable Retaining Strip Mk1-3	24A1463		MCR11.31.09.05
	Carpet Clip Mounting Plate Mk1-5			MCR11.31.11.05
	Subframe Mounting Panel Complete Mk1-4		40-10-003	MCR11.32.02.00
24	Subframe Mounting Panel Complete 1991 on	HMP441008		
	Subframe Rear Mounting Half Panel LH	HMP441007		
	Subframe Rear Mounting Half Panel RH	HMP441006		
	Subframe Rear Mounting Repair Panel LH		40-10-82-1	MCR11.32.02.17
	Subframe Rear Mounting Repair Panel RH		40-10-82-2	MCR11.32.02.18

NEW Mk1 Body Panels Available Again



**Genuine 1 piece side and rear panels are now available for the Mk1 Mini.**  
 Manufactured by Mini Sport, pressed from 1 piece high grade steel to the **exact original specifications**, then hand finished by the craftsmen at Heritage using the original techniques passed down since 1959.  
**With the floor in development, you will soon be able to restore the MK1 bodyshell to completely original.**



**A World 1st**  
 Check out this Mini Sport full Mk1 restoration with the new sides and rear panels fitted, built & painted in our body shop and ready for the build to begin. This Mk1 Mini will be amazing...

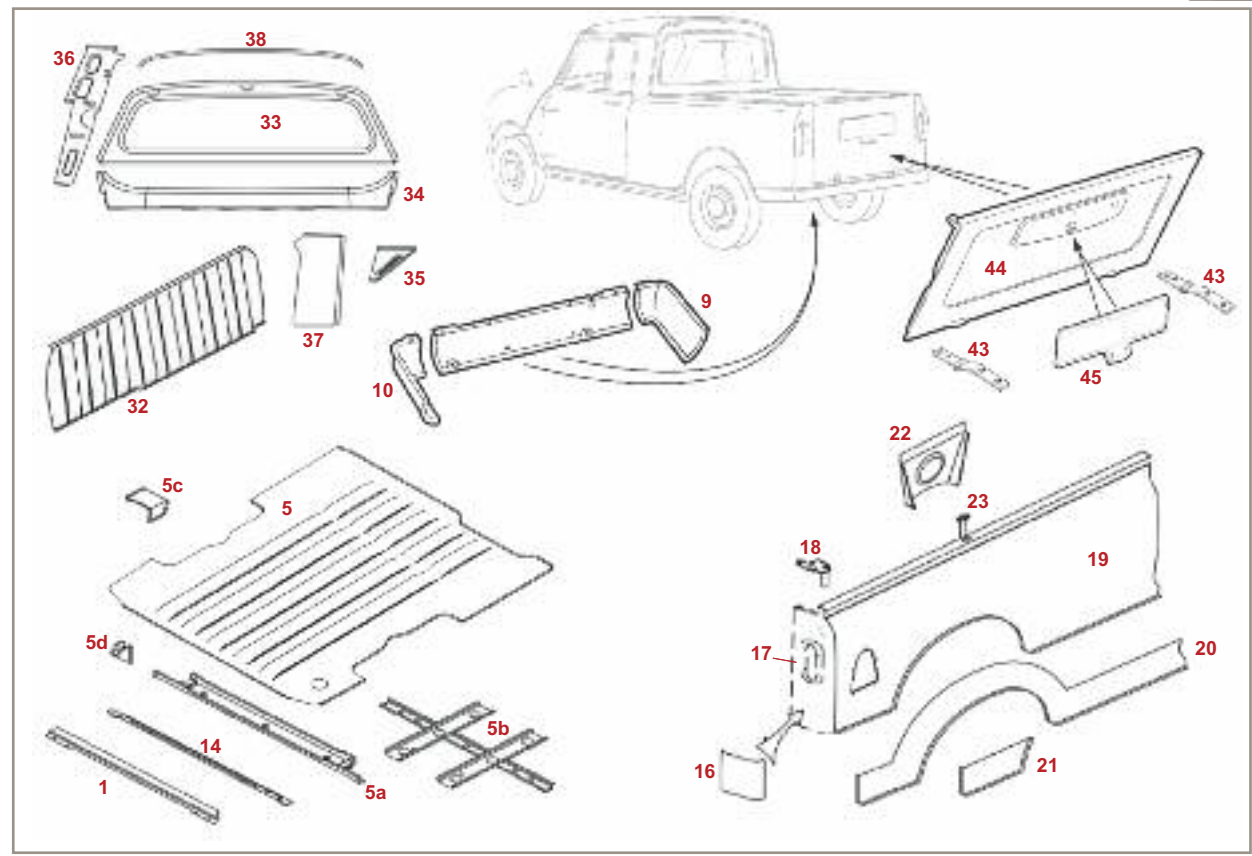
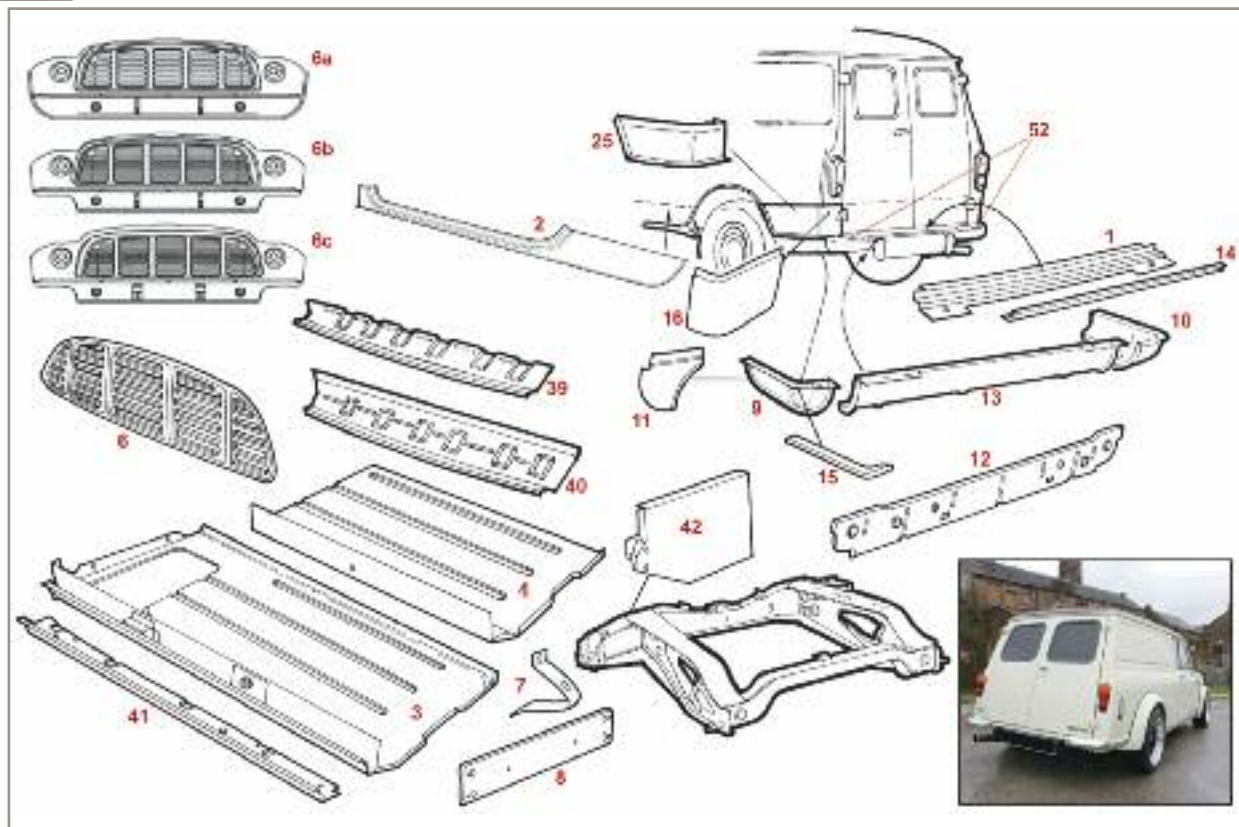
All Heritage Mk1 Bodyshells will now use these panels

- 24A2366 MK1 Side Panel RH
- 24A2367 MK1 Side Panel LH
- 14A6484 MK1 Back Panel
- Coming Soon MK1 Floor Panel





Body Panels & Restoration



Body Panels & Restoration

Van, Traveller, & Pick-Up Panels

Pic No	Description and Fitment	Heritage Genuine	Magnum Classic	Re-production Original Spec
1	Door Step Rear Van/Traveller		40-11-67-0	MCR21.41.01.05
	Door Step Rear Pick Up			MCR41.41.01.05
2	Door Step/Side Van/Trav LH		40-11-05-1	
	Door Step/Side Van/Trav RH		40-11-05-2	
	Door Step + Part Side Panel - LH - Estate		40-13-05-1	
	Door Step + Part Side Panel - RH - Estate		40-13-05-2	
	Inner & Outer Sill Assembly Mk1-3 Traveller LH			MCR21.33.01.17
	Inner & Outer Sill Assembly Mk1-3 Traveller RH			MCR21.33.01.18
	Inner & Outer Sill Assembly Mk4 Estate LH			MCR84.33.01.17
	Inner & Outer Sill Assembly Mk4 Estate RH			MCR84.33.01.18
	Inner & Outer Sill Assembly Mk1-3 Van/Pick Up LH			MCR31.33.01.17
	Inner & Outer Sill Assembly Mk1-3 Van/Pick Up RH			MCR31.33.01.18
	Inner & Outer Sill Assembly Mk4 Van/Pick Up LH			MCR34.33.01.17
	Inner & Outer Sill Assembly Mk4 Van/Pick Up RH			MCR34.33.01.18
	Floor to 1st Groove with Sills Mk1-3 Traveller LH			MCR21.33.01.27
	Floor to 1st Groove with Sills Mk1-3 Traveller RH			MCR21.33.01.28
	Floor to 1st Groove with Sills Mk4 Estate LH			MCR84.33.01.27
	Floor to 1st Groove with Sills Mk4 Estate RH			MCR84.33.01.28
	Floor to 1st Groove with Sills Mk1-3 Van/Pick Up LH			MCR31.33.01.27
	Floor to 1st Groove with Sills Mk1-3 Van/Pick Up RH			MCR31.33.01.28
	Floor to 1st Groove with Sills Mk4 Van/Pick Up LH			MCR34.33.01.27
	Floor to 1st Groove with Sills Mk4 Van/Pick Up RH			MCR34.33.01.28
	Floor Panel Front to Rear includes Inner Sill Traveller/ Estate LH		40-13-75-1	MCR21.31.04.17
	Floor Panel Front to Rear includes Inner Sill Traveller/ Estate RH		40-13-75-2	MCR21.31.04.18
3	Floor Panel Front-Rear inc Inner Sill Van/Pick Up LH		40-11-75-1	MCR31.31.04.17
3	Floor Panel Front-Rear inc Inner Sill Van/Pick Up RH		40-11-75-2	MCR31.31.04.18
3	Floor Panel Front to Rear includes Inner & Outer Sill Traveller/ Estate LH		40-13-75-3	
3	Floor Panel Front to Rear includes Inner & Outer Sill Traveller/ Estate RH		40-13-75-4	
3	Floor Panel Front to Rear includes Inner & Outer Sill Van/ Pick Up LH		40-11-75-3	

Pic No	Description and Fitment	Heritage Genuine	Magnum Classic	Re-production Original Spec
3	Floor Panel Front to Rear includes Inner & Outer Sill Van/ Pick Up RH		40-11-75-4	
3	Floor Panel Front to Rear includes Inner & Outer Sill Mk1 to 3 Traveller LH			MCR21.33.01.37
3	Floor Panel Front to Rear includes Inner & Outer Sill Mk1 to 3 Traveller RH			MCR21.33.01.38
3	Floor Panel Front to Rear includes Inner & Outer Sill Mk4 Estate LH			MCR84.33.01.37
3	Floor Panel Front to Rear includes Inner & Outer Sill Mk4 Estate RH			MCR84.33.01.38
3	Floor Panel Front to Rear includes Inner & Outer Sill Mk1-3 Van/Pick Up LH			MCR31.33.01.37
3	Floor Panel Front to Rear includes Inner & Outer Sill Mk1-3 Van/Pick Up RH			MCR31.33.01.38
3	Floor Panel Front to Rear includes Inner & Outer Sill Mk4 Van/Pick Up LH			MCR34.33.01.37
3	Floor Panel Front to Rear includes Inner & Outer Sill Mk4 Van/Pick Up RH			MCR34.33.01.37
3	Floor Panel Front to Rear includes Inner & Outer Sill Mk4 Van/Pick Up LH			MCR34.33.01.38
3	Floor Panel Front to Rear includes Inner & Outer Sill Mk4 Van/Pick Up RH			MCR34.33.01.38
3	Floor Panel Van/Traveller Front - Rear LH			MCR21.34.14.17
3	Floor Panel Van/Traveller Front - Rear RH			MCR21.34.14.18
4	Floor Panel Rear Van/Traveller/Pick-up LH		40-11-76-1	MCR21.34.04.67
4	Floor Panel Rear Van/Traveller/Pick-up RH		40-11-76-2	MCR21.34.04.68
	Full Floor		40-11-75-0F	
	Floor Extension Piece - Van/Estate	14A9023		
	Floor Assembly - Mk1 Traveller - round tunnel			MCR21.33.00.00
	Floor Assembly - Mk1/2 Van & Pickup - round tunnel			MCR31.33.00.00
	Floor Assembly - Mk3/4 Van & Pickup - square tunnel			MCR33.33.00.00
	Tunnel - Round - Mk1 Traveller Mk1-2 Van & Pick-Up			MCR21.31.04.75
	Tunnel - Round - Remote Shift Mk2 Traveller			MCR22.31.04.75
	Tunnel - Square - Mk3-4 Estate Van & Pick-Up			MCR83.31.04.75
	Boot Floor Front Corner Repair Traveller LH			MCR21.41.00.17
	Boot Floor Front Corner Repair Traveller RH			MCR21.41.00.18
	Boot Floor Side Repair Traveller LH			MCR21.41.00.27
	Boot Floor Side Repair Traveller RH			MCR21.41.00.28
	Boot Floor Rear Corner Repair Traveller LH			MCR21.41.00.37

Van, Traveller, & Pick-Up Panels continued...

	Boot Floor Rear Corner Repair Traveller RH			MCR21.41.00.38
	Subframe Crossmember Traveller			MCR21.41.02.00
	Subframe Crossmember End Repair Traveller LH			MCR21.41.02.17
	Subframe Crossmember End Repair Traveller RH			MCR21.41.02.18
	Load Floor Assembly - Van			MCR31.41.01.00
5	Floor Panel Van Rear Load Deck - Van			MCR31.41.00.05
5	Load Floor Assembly - Pick Up			MCR41.41.01.00
5	Floor Panel Van Rear Load Deck - Pick Up			MCR41.41.00.05
5a	Subframe Mounting Crossmember Mk1-4 Van & Pick-Up			MCR31.41.02.00
5b	Load Floor Crossmember Mk1-4 Van & Pick-Up			MCR31.41.03.00
5c	Stiffener from Crossmember to Support Load Floor			MCR31.41.03.05
5d	Sub Frame Closing Panel Mk1-4 Van & Pick-Up LH			MCR31.41.07.03
5d	Sub Frame Closing Panel Mk1-4 Van & Pick-Up RH			MCR31.41.07.04
6a	Front Panel Mini Van Full Skirt to 1964			MCR31.18.00.00
6b	Front Panel Mini Van 1964-76			MCR31.18.01.00
6c	Front Panel Mini Van 1976 on			MCR34.18.01.00
6d	Front Panel Steel Grille Insert Van/Pick-up	40-11-99-0		MCR31.18.02.00
7	Number Plate Carrier Bracket Van Rear		40-11-70-7	
8	Number Plate Carrier Rear Van		40-11-70-6	
	Repair Companion Box Lower Clubman Estate LH			MCR83.37.00.17
	Repair Companion Box Lower Clubman Estate RH			MCR83.37.00.18
	Pocket/Companion Box Assembly Traveller LH			MCR21.37.00.03
	Pocket/Companion Box Assembly Traveller RH			MCR21.37.00.04
	Pocket/Companion Box Assembly Clubman Estate LH			MCR83.37.00.01
	Pocket/Companion Box Assembly Clubman Estate RH			MCR83.37.00.02
	Companion Box Closing Plate Traveller/Estate LH			MCR21.37.02.03
	Companion Box Closing Plate Traveller/Estate RH			MCR21.37.02.04
	Load Deck to Tunnel Support Van			MCR31.32.08.05
9	Rear Valance Corner Van/Traveller LH	14A6909	40-11-70-1	
10	Rear Valance Corner Van/Traveller RH	14A6908	40-11-70-2	
11	Rear Valance Filler Van/Traveller LH		40-11-62-1	MCR21.42.01.03
11	Rear Valance Filler Van/Traveller RH		40-11-62-2	MCR21.42.01.04
12	Rear Valance Inner Van/Traveller/Pick Up		40-11-65-1	MCR21.42.01.00
13	Rear Valance Centre - Van/Traveller	14A8154	40-11-65-0	MCR21.42.00.00

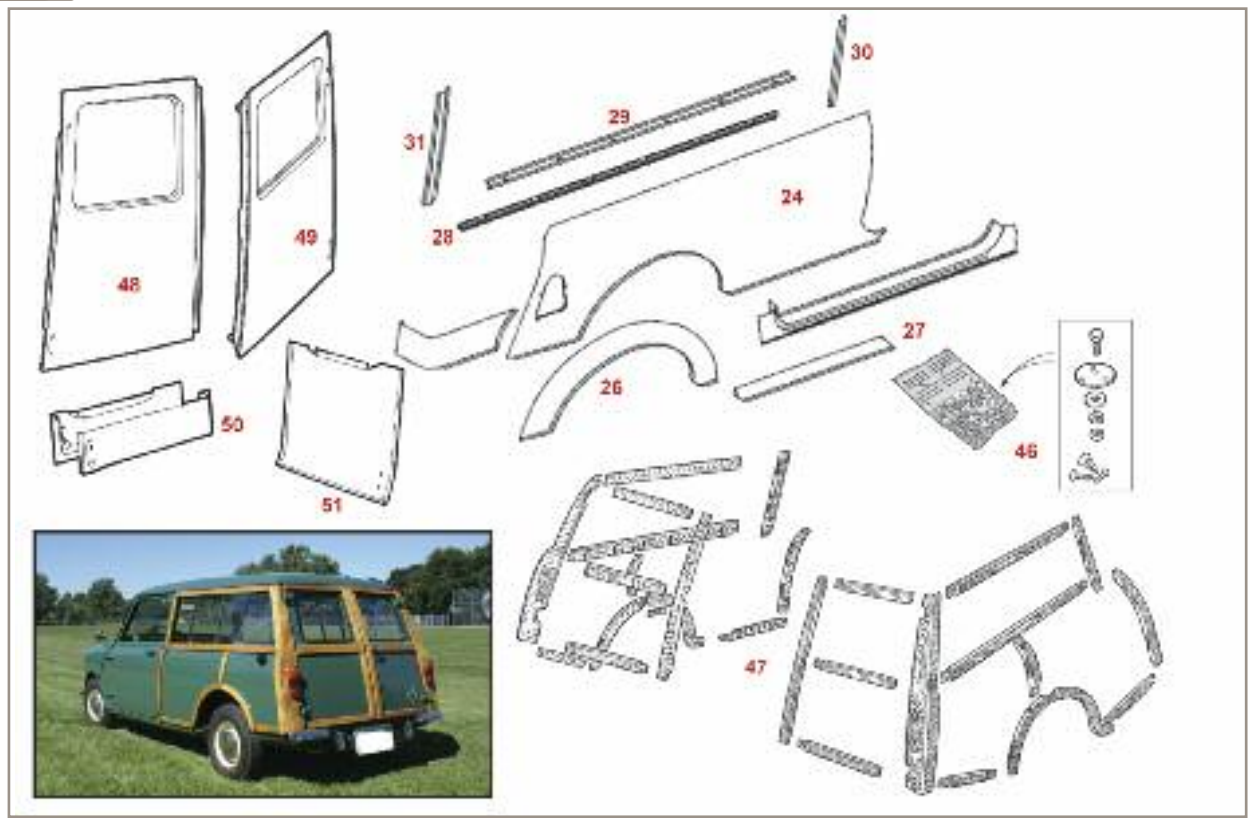
13	Rear Valance Centre - Pick Up			MCR41.42.00.00
14	Finisher - Load Floor Front Edge Van & Pick-Up			MCR14A7180P
14	Seam Cover Below Rear Door Van/Trav	40-11-75-0		MCR21.42.05.05
15	Seam Cover Rear Corner Van/Trav	40-11-70-9		MCR21.42.06.05
16	Rear Corner below Tail Lamp Pick-up LH	40-11-70-3		MCR41.14.01.17
16	Rear Corner below Tail Lamp Pick-up RH	40-11-70-4		MCR41.14.01.18
17	Rear Lamp Panel Pick-Up LH			MCR41.14.01.01
17	Rear Lamp Panel Pick-Up RH			MCR41.14.01.02
18	Rear Corner Capping Assembly Pick-Up LH			MCR41.14.03.01
18	Rear Corner Capping Assembly Pick-Up RH			MCR41.14.03.02
	Rear Pillar Internal Triangle Stiffener Pick-Up LH			MCR41.14.01.27
	Rear Pillar Internal Triangle Stiffener Pick-Up RH			MCR41.14.01.28
19	Side Panel Rear Pick-up LH	40-11-51-3		MCR41.14.00.07
19	Side Panel Rear Pick-up RH	40-11-51-4		MCR41.14.00.08
20	Side Panel Bottom Edge Repair Pick-Up LH			MCR41.14.00.97
20	Side Panel Bottom Edge Repair Pick-Up RH			MCR41.14.00.98
21	Side Panel Bottom Edge - Wheel Arch to Rear Corner Pick-Up LH			MCR41.14.00.57
21	Side Panel Bottom Edge - Wheel Arch to Rear Corner Pick-Up RH			MCR41.14.00.58



continued over page





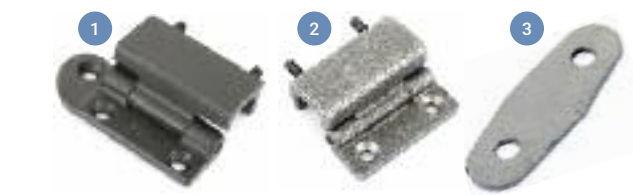
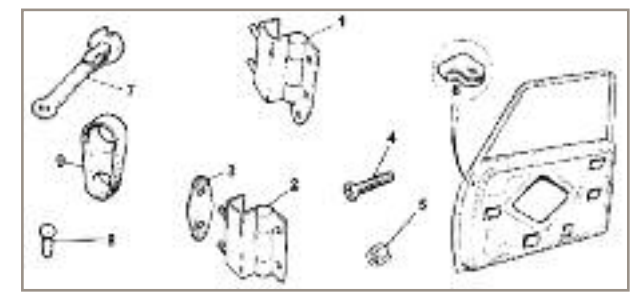


Van, Traveller, & Pick-Up Panels continued...

Pic No	Description and Fitment	Heritage Genuine	Magnum Classic	Re-production Original Spec
22	Rear Wheel Arch to Side Stiffener Pick-Up			MCR41.14.02.05
23	Retainer - Mid-Cap Arch Pick-Up			MCR41.14.05.05
24	Side Panel Rear Traveller LH			MCR21.14.00.07
24	Side Panel Rear Traveller RH			MCR21.14.00.08
24	Side Panel Rear Estate LH			MCR83.14.00.07
24	Side Panel Rear Estate RH			MCR83.14.00.08
25	Side Panel Rear Lower Corner Van/Trav LH		40-11-60-1	MCR21.14.00.17
25	Side Panel Rear Lower Corner Van/Trav RH		40-11-60-2	MCR21.14.00.18
26	Side Panel Rear Wheelarch Repair Surround Traveller & Van LH			MCR21.14.00.47
26	Side Panel Rear Wheelarch Repair Surround Traveller & Van RH			MCR21.14.00.48
27	Side Panel Wheelarch to Door Lower Repair Traveller, Van & Pick-Up LH			MCR21.14.00.27
27	Side Panel Wheelarch to Door Lower Repair Traveller, Van & Pick-Up RH			MCR21.14.00.28
28	Side Window Channel Lower Support Traveller LH			MCR21.14.02.03
28	Side Window Channel Lower Support Traveller RH			MCR21.14.02.04
29	Side Window Channel Lower Frame Traveller			MCR21.14.03.05
30	Side Window Channel Front Frame Traveller LH			MCR21.14.04.03
30	Side Window Channel Front Frame Traveller RH			MCR21.14.04.04
31	Side Window Channel Rear Frame Traveller LH			MCR21.14.05.03
31	Side Window Channel Rear Frame Traveller RH			MCR21.14.05.04
	Drip Rail Section Traveller			MCR21.14.07.05
	Drip Rail Section Van & Pick-Up LH			MCR31.41.07.03
	Drip Rail Section Van & Pick-Up RH			MCR31.41.07.04
32	Rear Bulkhead - Pick-Up Cab			MCR41.12.00.00
33	Rear Window Panel - Pick-Up Cab			MCR41.12.01.00
34	Rear Bulkhead Crossmember - Pick-Up Cab			MCR41.12.02.00
35	Rear Bulkhead Crossmember Stiffener Pick-Up Cab LH			MCR41.12.03.03
35	Rear Bulkhead Crossmember Stiffener Pick-Up Cab RH			MCR41.12.03.04
36	Inner B Post Pick-Up LH			MCR41.14.04.01
36	Inner B Post Pick-Up RH			MCR41.14.04.02
37	Outer B Post Pick-Up LH			MCR41.14.04.03
37	Outer B Post Pick-Up RH			MCR41.14.04.04
38	Roof Edge Stiffener Pick-Up			MCR41.12.03.00
	Inner Sill Traveller/Estate LH		40-13-06-1	MCR21.31.04.27
	Inner Sill Traveller/Estate RH		40-13-06-2	MCR21.31.04.28

	Inner Sill Van/Pick Up LH			40-11-06-1	MCR31.31.04.27
	Inner Sill Van/Pick Up RH			40-11-06-2	MCR31.31.04.28
	Inner Sill Stiffener Van & Pick-Up LH				MCR31.32.08.03
	Inner Sill Stiffener Van & Pick-Up RH				MCR31.32.08.04
39	Sill Outer 4.1/2" Wide Van LH			40-11-00-1	
39	Sill Outer 4.1/2" Wide Van RH			40-11-00-2	
39	Sill Outer 4.1/2" Wide Estate LH			40-13-00-1	
39	Sill Outer 4.1/2" Wide Estate RH			40-13-00-2	
40	Sill Outer 9" Wide Van/Trav LH			40-13-01-1	
40	Sill Outer 9" Wide Van/Trav RH			40-13-01-2	
41	Sill Outer as Original Van/Trav LH		14A9027		MCR21.32.00.01
41	Sill Outer as Original Van/Trav RH		14A9026		MCR21.32.00.02
	Subframe Mounting Panel Van/Pick-up			40-11-003	MCR31.32.02.00
42	Subframe Rear Mounting Repair Panel Van LH			40-11-82-1	MCR31.32.02.17
42	Subframe Rear Mounting Repair Panel Van RH			40-11-82-2	MCR31.32.02.18
43	Tailgate Hinge Pick-up			08-01-580	MCR41.11.02.00
	Tailgate Support Pick-Up LH				MCR41.11.01.01
	Tailgate Support Pick-Up RH				MCR41.11.01.02
	Tailgate Closing Bracket Pick-Up				MCR41.11.05.05
	Pick Up Tailgate Hinge Mounting Bracket				MCR41.42.01.00
44	Tailgate Pick-up		CZH3293		
45	Number Plate Carrier Rear MK1/2			40-10-70-6	
45	Number Plate Carrier Rear MK1/2			14A6468	
	Roof Van/Estate			40-11-80-01	
	Roof Vent Van/Pick-up				MCR31.13.02.00
	Roof Vent Interior Stiffener Van				MCR31.13.03.00
	Tilt Cover Frame Pick-Up				MCR04.14.06.00
	Number Plate Carrier Rear MK1/2			08-01-160	
46	Wood Kit Mini Traveller				14A7800
47	Wood Kit - Fitting Kit				HMP841001
48	Door Assy Van Rear LH		14A8097		
49	Door Assy Van Rear RH		14A8096		
50	Door Bottom Rear Van/Trav LH			40-11-17-1	
50	Door Bottom Rear Van/Trav RH			40-11-17-2	
51	Door Skin Van Rear LH			40-11-15-1	MCR21.11.00.17
51	Door Skin Van Rear RH			40-11-15-2	MCR21.11.00.18
52	Bumper Rear Quarter - Black		EAM9248		
52	Bumper Rear Quarter - Chrome		14A7550	14A7550Z	
	Drip Rail Moulding Traveller MK1-4 LH				MCR21.14.07.03
	Drip Rail Moulding Traveller MK1-4 RH				MCR21.14.07.04
	Drip Rail Moulding Van & Pick-Up LH				MCR31.14.07.03
	Drip Rail Moulding Van & Pick-Up RH				MCR31.14.07.04

Door Hinges & Fixings



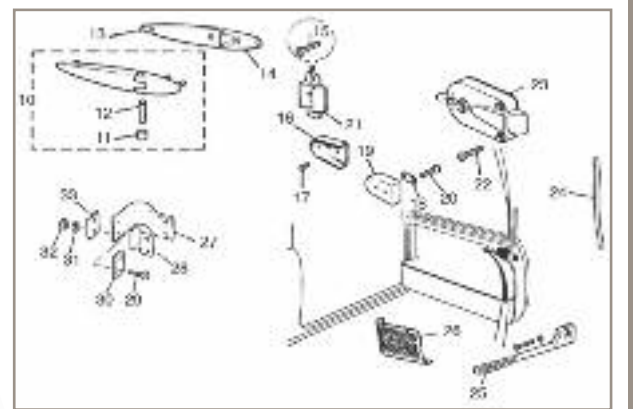
1	CZH202	Door Hinge - Upper	Right Side
	CZH202/12	Door Hinge - Pair	Right Side
	CZH202KIT	Door Hinge Set 4	
	CZH203	Door Hinge - Upper	Left Side
	CZH202/12	Door Hinge - Pair	Left Side
2	CZH212	Door Hinge Lower	Lower
	HMP441030	Door Hinge Kit 70 on (set 4) Genuine	Car Set
	C-MAD001	Door Hinge Set 4 - Alloy Quick Release	Car Set
3	ALA6381	Door Hinge Support plate	
4	SF604061	Screw - Door Hinge to Door	Each
5	GHF221	Nut - Door Hinge to Body	Each
6	CZH3121	Bracket - Door Check Arm	
7	ADA5671	Door Check Arm Assembly	
8	CLZ412	Clevis Pin - Door Check Arm	
	PS104221	Split Pin 4 Clevis Pin	



9	CZH4052	Seal - Door Check Arm - 70-86	Right Side
	CZH4053	Seal - Door Check Arm - 70-86	Left Side
9	CGE10038	Seal - Door Check Arm 86 on	Right Side
	CGE10039	Seal - Door Check Arm 86 on	Left Side
10	14A6818K	MK1/2 External Door Hinge (set 4)	KIT
11	37H3043	Bush - Door Hinge Pin MK1/2	
12	37H3044	Pin - Door Hinge MK1/2	
13	MCR11.15.12.05	MK1/2 Door Hinge Gasket	Long
14	MCR11.15.11.05	MK1/2 Door Hinge Gasket	Short

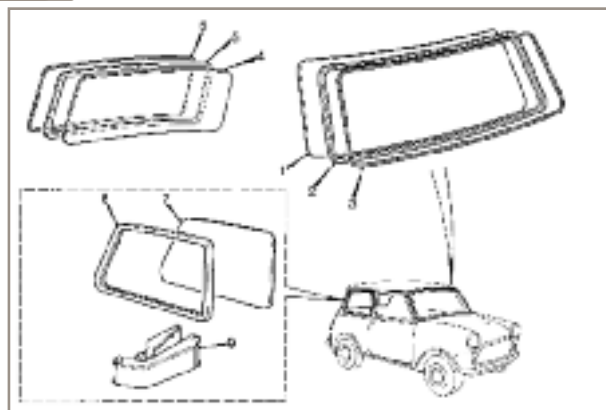


15	GD91061	Screw for 14A6832 Striker Plate	
16	14A6835	MK1/2 Door Striker Retaining Cover Plate	
17	CMZ204	Screw for 14A6835	
18	14A6834	MK1/2 Door Buffer Insert	
19	14A6833	MK1/2 Door Buffer	
20	CMZ412	Screw for 14A6833	
21	14A6832	MK1/2 Door Striker Plate	
22	RMZ316	MK1/2 Door Lock Screw	
23	24A2143	MK1/2 Door Lock with Catch	LHD
23	24A2144	MK1/2 Door Lock with Catch	RHD



23	24A2145	MK1/2 Door Lock without Catch	LHD
23	24A2146	MK1/2 Door Lock without Catch	RHD
24	14A7930	MK1/2 Door Drain Tube	
25	GLZ119A	MK1/2 Interior Door Handle	
26	14A7176	MK1/2 Door Kick Plate RH	
	14A7177	MK1/2 Door Kick Plate LH	
27	NCMDC3005	MK1/2 Door Check Strap	Range of colours available
28	14A6745	MK1/2 Door Check Strap Bracket	
29	SG604073	MK1/2 Door Check Strap Screw	
30	14A764	MK1/2 Door Check Strap Retainer Plate	
31	GFK1124	Spring Washer 1/4"	
32	GFK3211	Plain Nut 1/4"	
33	14A6744	MK1/2 Door Check Strap Stiffener Plate	
34	NCMDL3030	PVC Inner Door Membrane	Mk3 on pair
	SMB09	Door Fitting Kit	Stainless steel
	SMB159	Door Hinge Plates	Plated
	SMB16	Door Striker Plates	Stainless steel
	SMB17	Door Shims	Mild steel
35	SMB17SS	Door Shims	Stainless steel
	SMB173	Door Latch Cover Plate	Stainless steel
	SMBFK013	Hinge to Door Mounting Kit (10 screws)	Stainless steel
	SMBFK013	Hinge to Door Mounting Kit (10 screws)	Stainless steel
	SMBFK014	Door Lock Mounting Kit (8 screws)	Stainless steel
37	1/11818	Chrome Interior Door Handle	
38	CZH3528	MK3 on Door Lock RH	
	CZH3529	MK3 on Door Lock LH	
	CZH627	MK3 Door Striker	
	GD910161	Door Striker Plate Screw	
	JPC8387PA	MK3 Interior Door Handle	Black
	CZH646	Window Winder Mechanism RH	
	CZH647	Window Winder Mechanism LH	
39	CZA7109	Window Winder Handle	
	CZH701PA	Winder Handle Bezel	
	3AG2528	Window Winder Handle	Chrome knob
	ADU8081	Screw for Window Winder Handle	
	SMBF052	Door Striker Stainless Fitting Kit	





Front Windscreens & Rubber Seals



1	24A2236	Windscreen Laminated - Front	Clear
	MCRHFS.M/CA	Heated Windscreen Laminated - Front	Clear
1a	24A2236G	Windscreen Laminated - Front	Green Tint
	MCRHFS.TINT	Heated Windscreen Laminated - Front	Green Tint
1b	CZH4048	Windscreen Laminated - Front	Top Tint
	MCRHFS.T/TINT	Heated Windscreen Laminated - Front	Top Tint
2	JPC4834	Windscreen Seal - Front	Mk1/2/3/4
2	CCB100130	Windscreen Seal - Front	Mk4/5
3	24A1466	Windscreen Chrome Locking Strip	
	JPC2017	Windscreen Seal Finisher Clip	Chrome
	TOLSCREEN	Windscreen Locking Strip Tool	
	37H8052	Fillet Strip Windscreen	Black



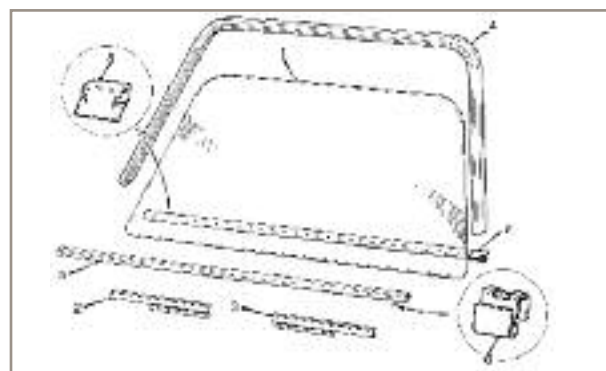
Rear Windscreens & Rubber Seals

4	CZH4013	Heated Screen Laminated - Rear	Green Tint
	7002ABL	Screen - Rear	Clear
	7002ABL1	Heated MK1 Screen - Rear	Clear
	7002ABLH	Screen - Rear	Clear no lines
	7002ABLH1	Heated MK1 Screen - Rear	Clear no lines
5	JRC2674R	Windscreen Seal - Rear	All
6	24A1466	Windscreen Chrome Locking Strip	
	JPC2017	Windscreen Seal Finisher Clip	Chrome
	TOLSCREEN	Windscreen Locking Strip Tool	
	37H8052	Fillet Strip Windscreen	Black

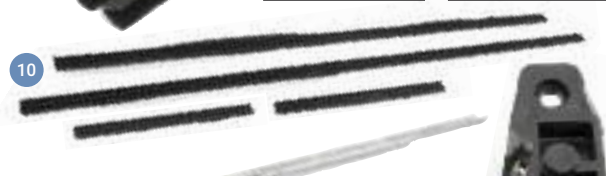
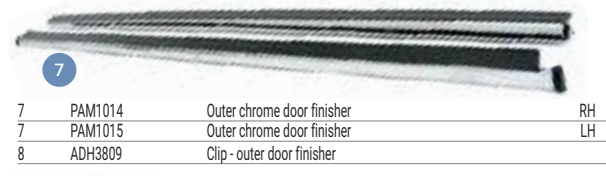
Rear Quarter Light Glass & Seals

7	CZH1315	Glass - Quarter Light - Fixed	Clear
7	CPB101380	Glass - Quarter Light - Fixed	Green Tinted
7	JRC5142	Glass - Quarter Light - Opening	Clear
7	JRC5143	Glass - Quarter Light - Opening	Green Tinted
8	JRC2673	Seal - Quarter Light - Fixed	
	PAM1019	Seal - Quarter Light - Opening	
	14A8239/40	Mk1 - Opening 1/4 Light Seal	Each
9	CZH3535	Window Fastener - RH	
	CZH3536	Window Fastener - LH	
	AB606043	Screw - Hinge Quarter - Light - to Body	
	AB608043	Screw - Hinge to Body	

Door Glass, Channels & Seals



1	ALA5723	Door Glass - Wind up type	Clear
1	CZH4007	Door Glass - Wind up type	Green Tint
2	ALA5746	Door Glass Channel - RH Front/LH Rear	
3	ALA5747	Door Glass Channel - LH Front/RH Rear	
	ALA5745	Channel - Pair for 1 door	Plated
	40-12-11-0	Door Glass Channels - Pair for 1 door	Primer
4	PAM3076	Door Glass Channel	Rubber
	PAM3077	Door frame/glass rubber channel LH	Rubber
5	EJU10003	Door finisher, chrome inner	
6	EYC10048	Clip - inner door finisher	



	14A7167	Mk1/2 Upper Door Window Channel	
9	24A88	Mk1/2 Lower Door Window Channel	
10	14A7630KIT	Estate/Traveller Rear Side Window Channel Kit	Per side
11	24A1303	Mk1/2 Chrome Lower Channel	RH
	24A1304	Mk1/2 Chrome Lower Channel	LH
	EAM8530/1	Mk1/2 Door Window Separators	LH/RH
12	14A8151	Mk1/2 Sliding Window Catch Chrome Retaining Boss	
	RMP307	Retaining Boss Screw	
	24A1194	Mk1/2 Sliding Window Catch	RH front
	24A1195	Mk1/2 Sliding Window Catch	LH front
	24A1196	Mk1/2 Sliding Window Catch	RH rear
	24A1197	Mk1/2 Sliding Window Catch	LH rear
	24A1198	Mk1/2 Sliding Window Catch Gasket	



Door, Boot Lid & Bonnet Seals



	24A1351	Mk1/2 Door Seals,	Each
1	CFB10047	Mk3 Door Seal	Each
	CFB101080	Door Seal Lower RH	98 on
	CFB101090	Door Seal Lower LH	98 on
	CFB101120	Door Seal Upper RH	98 on
	CFB101130	Door Seal Upper LH	98 on
	14A6584	Mk1/2/3 Boot Lid Seal (Boot Fix)	
	14A6585KIT	Boot Lid Seal Clips	
2	14A7608/9	Van/Estate Rear Door Seals	Pair
	14A7210	Van Rear Door Window Seal	
	CKE10018	Mk4 Boot Lid Seal, (Body Fix)	
	JRC7898	Mk4 Bonnet Drip Rail	
	JRC7008	Bonnet Rear Drain Channel Seal	

Body Finishing Trims



1	14A9999	Seam Cover Strip - Front	Genuine
1	40-10-40-0	Seam Cover Strip - Front	
2	14A6784	Seam Cover Strip - Rear LH	Genuine
	40-10-70-3	Seam Cover Strip - Rear LH	
2	14A6783	Seam Cover Strip - Rear RH	Genuine
	40-10-70-4	Seam Cover Strip - Rear RH	
	14A6782	Seam Cover Strip - Lower Rear	Genuine
3	BMP128	Clip - Seam Cover Strip	Genuine
4a	GAC8494X	Roof Gutter Trim - Chrome	
4b	YGA1106/7	Roof Gutter Trim - Black	
5	DBE10006PMD	Finisher Clip, Gutter Trim Black	
5	DBE10006CHROME	Chrome Roof Finisher Clip	
6	GZF107A	Side Finisher Strip, Arch & Sill - Chrome	
6a	GZF105A	Side Finisher Strip, Arch & Sill - Deluxe Chrome	
6a	08-01-617	Side Finisher Strip, Arch & Sill - Deluxe Chrome	
7	DDJ10002	Sill Finisher Trim - Black Rubber	
	CZH4316	Sill Finisher Trim - Black Plastic	
8	24A1169	Door Pocket Trim Mk1/2	
	CZH2724	Companion Box Trim LH	
9	CZH2723	Companion Box Trim RH	

Front Subframes



	Genuine	Non Genuine
Subframe Front Mk1 '59-'75 Dry Suspension	21A2570	
Subframe Front '91-'96 with Rebound Buffers	HMP241004	
Subframe Front '97on with Rebound Buffers	HMP241005	
Subframe Front Automatic	KGB10024	
Subframe Front Mk4 '91-'96	KGB10027	
Subframe Front upto '91	KGB10022	
Subframe Conversion Kit Auto - Manual	MSK016	
Subframe Fully Assembled Mk4	HMP241001	
Subframe Fully Assembled Mk4 Powder Coated	HMP241001PC	
Subframe Fully Assembled Mk1	HMP241001MK1	
Subframe Fully Assembled Mk1 Powder Coated	HMP241001MK1PC	
Subframe Fully Assembled MPI	HMP241003	
Subframe Fully Assembled MPI Powder Coated	HMP241003PC	

Rear Subframes



	Genuine	Non Genuine
Subframe Rear Complete (all dry)	HMP241002	
Subframe Rear Hydroplastic	21A2160	40-10-006
Subframe Rear Dry to 91	FAM6292	40-10-007
Subframe Rear Dry to 91 - Powder Coated		40-10-007PC
Subframe Rear Dry 91on	KHB10023	40-10-008
Subframe Rear Dry 91on - Powder Coated		40-10-008PC
Subframe Rear Dry 91on	KHB10024	
Subframe Rear Sport '97on	KHB100590	
Subframe Rear KHB10024 with trunnions	KHB10026	
Subframe Bottom Repair Plate Rear LH		40-10-83-1
Subframe Bottom Repair Plate Rear RH		40-10-83-2
Subframe Fitting Kit less Trunnions 76on	HMP841014	MSFK001
Subframe Fitting Kit to 76		MSFK002
Subframe Trunnion (Rectangular)		21A2558
Subframe Trunnion (Stepped)		2A5819
Subframe Fully Assembled 91on - Powder Coated	HMP241002PC	
Subframe Fully Assembled to 76	HMP241002MK1	
Subframe Fully Assembled to 76 - Powder Coated	HMP241002MK1PC	

Genuine Body Shells



BMP0343	Mini MK4 Bodysell - with Bonnet, Boot and Doors
AAA36002	Mini SPI '91-'96 - with Bonnet, Boot and Doors
AAA360200	Mini MK5 Bodysell - with Bonnet, Boot and Doors
AAA360210	Mini MK5 Sportspack Bodysell - with Bonnet, Boot and Doors
CZH594	Mini Clubman/ 1275GT Bodysell - with Bonnet, Boot and Doors



HMP441050	Mini MK1 Bodysell - with Bonnet, Boot and Doors
MCR120	Bodysell Stand

Mk1 Body Shell





# Mini Carbon Fibre & Glassfibre Panels

The Arc Angels



## Boot Lids



1	CUR004	MK3 on Mini Boot Lid	Carbon
2	CUR029	MK3 on Mini Boot Lid	Glassfibre
3	CUR028	MK1 Mini Boot Lid	Glassfibre
	CUR008	MK1 Mini Boot Lid	Carbon

## Roof Skins



	CUR013GF	Roof Panel	Glassfibre
	CUR013	Roof Panel - White Gell Coat	Carbon
4	CUR014	Roof Panel - Weave Showing	Carbon

## Bumpers & Wheel Arches



5	CUR33CW	Mini Miglia Arches - Set of 4 - Weave	Carbon
	CUR011	Bumpers - Pair - White Gell Coat	Carbon
	CUR012	Bumpers - Pair - Weave Showing	Carbon
6	CUR030	Mini Miglia Arches - Set of 4	Carbon
	CUR033/STD	Mini Miglia Arches - Set of 4	Glassfibre

## Specialist Light Weight Panels



	CUR015	Rear Valance - White Gell Coat	Carbon
	CUR016	Rear Valance - Weave Showing	Carbon
7	CUR018	Boot Floor - Weave Showing	Carbon
	CUREVO2	Evo 2 Race Dash - LHD	Carbon
	DEM.BB1PR	Battery Box - Red - 2 Sizes Available	
	DEM.BB1C	Battery Box	Carbon Fibre Look
	RT1400	Mini Footwell	Carbon
	RT1413	Mini Firewall	Carbon
8	RT1414	Mini Parcel Shelf	Carbon
	RT1920/ZI	Mini Challenge Spec Carbon Fibre Footwells - Pair	

## Front Ends

9	CUR007	Removable Bonnet Type (Bonnet Extra)	Carbon
10	CUR001	Removable Bonnet Type (Bonnet Extra)	Glassfibre
11	CUR001C	One piece Front End (Fixed Bonnet)	Glassfibre
	CUR034	Clubman Front End (Without Bonnet)	Glassfibre
	CUR036	Clubman 2 Piece Removable Bonnet	Glassfibre
	CUR006	Front End with Removable Bonnet	Carbon
	MS106	Subframe to Bulkhead Brace Bars - Pair	



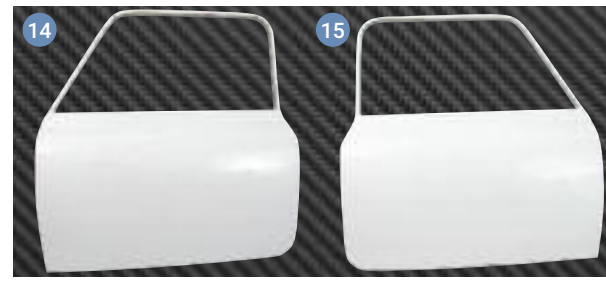
## Bonnets

12	CUR027	MK1 Mini Bonnet	Glassfibre
	CUR025	MK1 Mini Bonnet	Carbon
13	CUR005	MK3 on Mini Bonnet	Carbon
	CUR026	MK3 on Mini Bonnet	Glassfibre
	CUR037	Mini Clubman Bonnet	Glassfibre
	CUR037C/F	Mini Clubman Bonnet	Carbon
	CUR037CF/W	Mini Clubman Carbon Bonnet	Weave showing



## Doors

	CUR031	MK1 Door - LH	Glassfibre
	CUR032	MK1 Door - RH	Glassfibre
14	CUR023	MK3 on Door - LH	Glassfibre
15	CUR024	MK3 on Door - RH	Glassfibre
	CUR002	MK3 on Door - LH	Carbon
	CUR003	MK3 on Door - RH	Carbon
	CUR019	Interior Door Panels - Pair	Carbon



# Classic Mini RESTORATIONS

We know your Mini best

*If you have a classic Mini that needs some love, we have the care and attention to detail to make it look and perform better than the day it left the factory.*

Restoring a classic Mini requires a huge amount of knowledge and skill, here at Mini Sport we have the craftsmen dedicated to the preservation of this British icon. Offering full or part restorations, to original specification on historically important cars, or upgrade virtually every aspect of your Classic Mini.

**Original Specification Panels**

**Shell Re-Alignment**

**Seam Welding**

**Competition Prep**



We are official suppliers of British Motor Heritage panels & Shells. We are possibly the biggest



Bespoke Paintwork

## Our Services:

- ✓ Full or Part restorations
- ✓ Engine rebuilds
- ✓ Bodywork & fabrication
- ✓ Panel replacement
- ✓ Paintwork & resprays
- ✓ Electrical systems
- ✓ Upholstery & trim
- ✓ Roll cage fitment
- ✓ Chassis strengthening

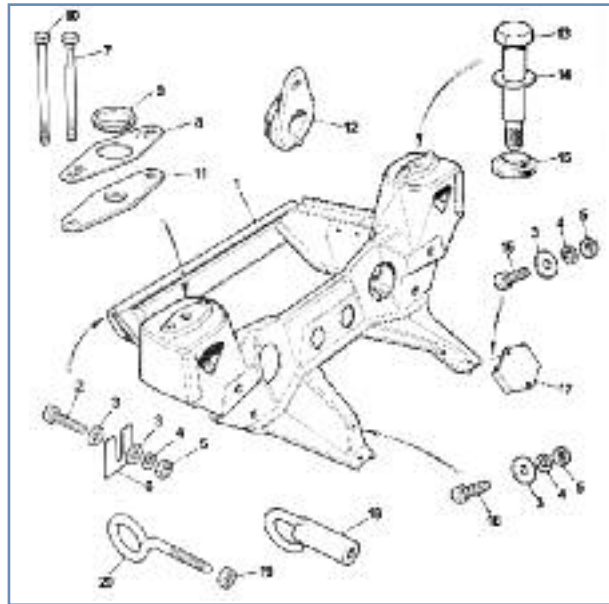
Simply get in touch today...  
...discuss your Mini, and the options we have available.





Suspension

Suspension



### Front Subframes

A range of brand new genuine replacement front subframes to suit all Mini models, manufactured by British Motor Heritage.



1	21A2570	Genuine Dry Suspension Models ('59-'76)
1	KGB10022	Genuine Dry Suspension Models 998cc ('76-'91)
1	KGB10027	Genuine Dry Suspension Models ('91-'96)
1	HMP241004	Genuine SPI/ 1275cc ('91-'96)
1	HMP241005	Genuine MPI 1.3i ('96-'01)
1	KGB10024	Genuine Automatic - Pre 1997

### Fully Built Front Subframes

Fully built up front subframes include: 8.4" disc drive assembly, rubber cones, suspension struts, top & bottom arms, tie rods, cv joints, ball joints, dampers, brake lines and pipes.



HMP241001	Genuine Built Up and Ready to Fit (Pre '96)
HMP241003	Genuine Built Up and Ready to Fit ('97 on)
HMP241001PC	Genuine Built Up and Ready to Fit (MK4) Powder Coated
HMP241001MK1	Genuine Built Up and Ready to Fit (MK1)
HMP241001MK1PC	Genuine Built Up and Ready to Fit (MK1) Powder Coated
HMP241003PC	Genuine Built Up and Ready to Fit (MPI) Powder Coated

### Polyurethane Bush Kit

UPDATED AND DURABLE Includes:- front subframe top mounts, rear subframe bushes, bottom arm bushes, tie rod bushes. (black or red)

SPDSP675E	Early Type Set ('59-'76)
SPDSP675L	Late Type Set ('76-'01)



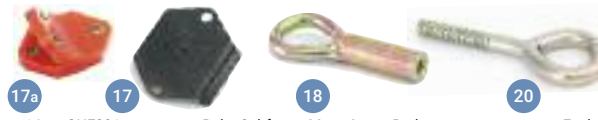
### Front Subframe Fittings & Mountings



2	GFK5185	Front Mounting Bolt	Each
3	GFK1114	Washer - Front Mounting Bolt	Each
4	GFK1125	Spring Washer - Front Mounting Bolt	Each
5	GFK3322	Nut - Front Mounting Nut - 5/16" UNF, Nyloc	Each
6	2A4292	Packing Washer - Front Mounting Bolt	Each
7	21A90	Bolt - Subframe Mounting - Dry Suspension to '76	
8	21A1470	Locktab - Subframe Mounting Bolt to '76	
9	RFR220	Grommet - Locktab	
10	HBZ534	Bolt - Subframe Mounting - Hydroelastic	
11	21A2341	Spacer - Subframe to Body to '76	
12	21A2624	Rubber Front Mount (Tear Drop)	Each
12a	SPDSP678FR	Poly Front Mount (Tear Drop)	Each
13	21A2596	Front Tower Mounting Bolt '76 on	Each



14	53K3755	Washer - Tower Mounting Bolt '76 on	Each
15	KGE100050	Tower Bolt Round Bush '76 on	Each
	KGE100060	Tower to Body Oval Pad	Each
15a	21A2597P	Tower Bolt Round Bush - Plastic	Each
15b	SPDSP668A	Poly Top Washer & Bush	Kit
15c	MSLMS0529	Nylon Round Top Washer & Bush	Kit
15d	SPDSP601	10 Piece Alloy Bush	Kit

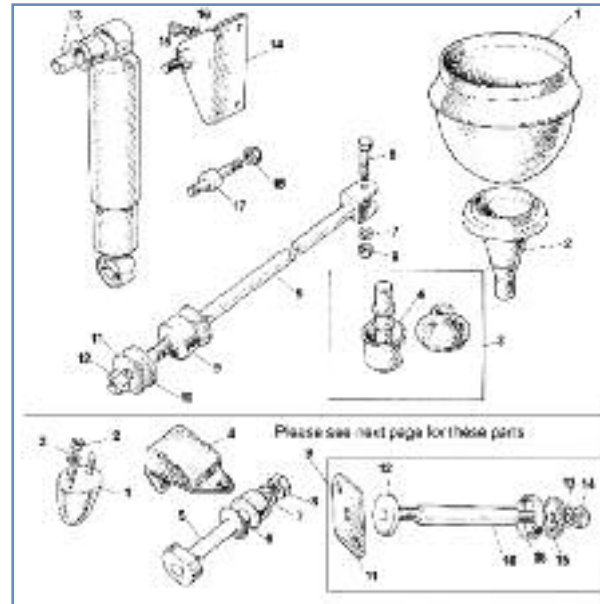


16	GHF201	Bolt - Subframe Mounting to Body	Each
17	21A2599	Rubber Rear Mount,	Each
17a	SPDSP679FR	Poly Rear Mount,	Each
17b	MSLMS0530	Solid Rear Mounts,	Pair
18	KPU100160	Towing Eye - Late Spec	Each
19	GFK3323	Nut - Towing Eye 3/8" UNF	Each
	SMB107	Front Subframe Packing Shims	Set of 8
	SMB151	Fixing Bracket for Front Subframe Rear Mount	Stainless
	SMB169	Twin Tower Bolt Lock Tabs	Stainless
	SMB71	Single Tower Bolt Stainless Covers	Pair
	SMBFK016	Front Subframe Mounting Stainless Bolt Kit	
	SMBFK017	Front Subframe Front Mount Stainless Fitting Kit	
	SMBFK026	Front Subframe Rear Mount Stainless Fitting Kit	
20	21A1241	Towing Eye	Each

### Engine Mountings



1	21A1902	Rubber, O.E. Spec	Each
2	SPD0012	Rubber, O.E. Spec, with Captive Nuts	Each
3	C-19G3256	Solid inc Nuts	Each
4	SPDSP680FR	Poly, Quick-Release Type	Each
5	22A917	Automatic RH, <b>Genuine</b>	Each
	22A1018	Automatic LH	Each
6	MSK016	Automatic Subframe to Manual Conversion Fitting Kit	
	SMBFK015	Subframe to Engine Mounting Stainless Fitting Kit	
	SMBFK021	Nearside Engine Mount to Bracket Fitting Kit	
	SMBFK022	Offside Engine Mount to Clutch Housing Fitting Kit	



### Rubber Suspension Cones

Direct replacement rubber suspension cones to fit front and rear on all dry suspension Minis from 1959-2001.

This is the original Suspension Cone designed and developed by Dr Alex Moulton in the late 1950's for BMC.

Produced exclusively for Mini Sport by Avon Rubber who manufactured the original cones back in the 1960s, from the original single cavity mould owned by Dr Moulton which he used to make the prototypes.

This product is not only endorsed by Dr Moulton, his knowledge and expertise are very much part of the production methods. You can be safe in the knowledge that you are fitting to your Mini, the most authentic suspension cone available, complete with the guarantee that it has been made in Britain from the exact formula required for the suspension to function correctly.

Beware of other inferior suspension cones also on the market, that claim they are something that they are not.



1	FAM3968	Standard Rubber Cone	Front or rear
1b	MSLA318490018	Moulton Smootha Ride	Front cone
	MSLA318490019	Moulton Smootha Ride	Rear cone
	TOL07004MET	Cone Compression Tool - Essential for Changing the Front Suspension Cones	

### Suspension Struts & Knuckle Joints

2a	MSLMS0500	Adjusta Ride Front Struts	Pair
2b	SUSKIT5	Adjusta Ride Full Car Kit	
3	MSLMS0502	Knuckle Joint - Adjusta Ride	Each
	21A1163	Knuckle Joint - Standard	Each
4	21A423	Knuckle Joint Nylon Cup	Each



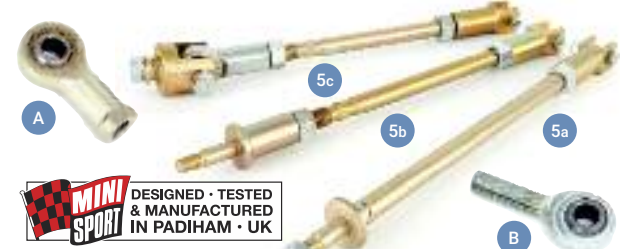
### Competition Suspension Cone

Will fit all dry suspension Mini models from 1959-2001. The uprated rubber compound makes this a firmer cone and a sharper ride. Used for competition and fast road where reduced body roll is required.

FAM3968C	Competition Suspension Cone	Front or Rear
----------	-----------------------------	---------------

### Suspension Tie Rods & Bushes

5	8G4249	Genuine Tie Rod (Inc Bushes)	Each
5a	C-8G4249	Adjustable Tie Rods - Thick	Pair
5b	MSLMS0512	Group 'A' Adjustable Tie Rods (Suitable for Road, Rally or Race)	Pair
5c	MSLMS0518	Group 'A' Rose Jointed Tie Rods (Suitable for Tarmac Rally or Race)	Pair
6	53K1031	Bolt - Tie Rod to Bottom Arm	Each



7	GFK1125	Spring Washer - 5/16" UNF Spring Washer	Each
8	GFK3322	Nut - Nyloc 5/16" UNF	Each
9	31G1155	Standard Rubber Bushes	Each
9a	C-STR628	Uprated Rubber Bushes	Set 4
9b	SPDSP655	Poly Bush Kit (Black or Red)	Set 4
10	2A4328	Washer - Cup Type, Tie Rod End	Each
11	PWZ207	Washer - Flat, Tie Rod End	Each



### Shock Absorber Mountings

12	GFK3324	Nyloc Nut - 7/16" UNF Tie Rod	Each
A	MSLRJF	Female Rose Joint 1/2" UNF	Each
B	MSLRJM	Male Rose Joint 1/2" UNF	Each
	SMBFK019	Front Tie Bar Stainless Fitting Kit	
13	SPABB10	Eyelet Bush for Spax Shocks	Each
14	21A474	Top Standard Mount, LH	Each
14	21A471	Top Standard Mount, RH	Each
14a	C-AJJ3360	Top Competition Mount, RH	Each
14a	C-AJJ3359	Top Competition Mount, LH	Each
14b	C-MSR-FSM	Extra Strong Front Shock Mount	Pair
15	GFK5179	Set Screw - 1/4" UNF x 3/4"	Each
16	GFK1113	Spring Washer - 1/4"	Each





# Front Suspension Arms, Bushes & Swivel Hubs

## Front Bumpstops & Rebound Buffers

1	2A4332	Bump Stop - Rubber Twin Bolt	Each
1a	FAM2764	Bump Stop - Rubber Single Bolt	Each
	FAM2767	Spacer for Bump Stop (FAM2764)	Each
1b	21A1598	Bump Stop - Rubber Hydroelastic Type	Each
	ACA9671	Bump Stop - Rubber Single bolt - Early MK1	Each
1d	SPDSP450E	Bump Stop - Poly Single Bolt	Pair
	SPDSP451	Bump Stop - Poly Twin Bolt	Pair
2	GFK3211	Nut - 1/4" UNF	
	GFK3321	Nut - nyloc 1/4" UNF	
	PMZ206	Screw for Rebound Buffer	
3	GFK1124	Spring Washer - 1/4"	
	GFK113	Washer - Flat 1/4"	
4	2A4267	Rebound Buffer	Each
4a	SPDSP681FR	Poly Rebound Buffer	Pair
	C-AJJ4007	Progressive Front Bump Stop Kit	

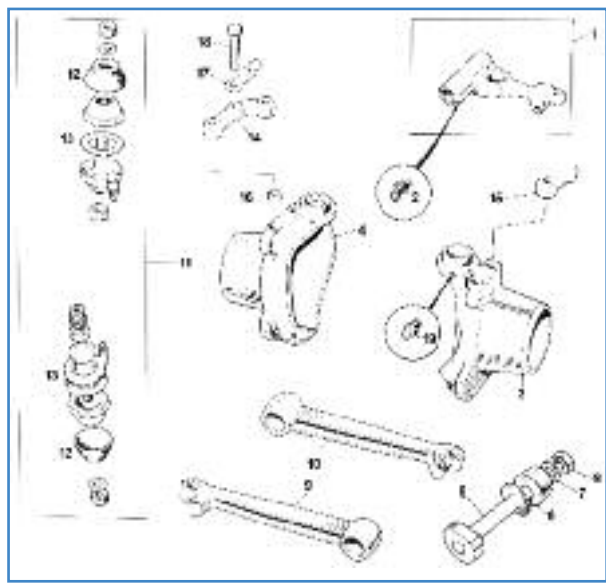
## Front Suspension Top Arm Repair Kit

9	VPS6	Repair Kit, all Parts to Service 1 x Top Arm (See Photo)	
10	2A7327	Sealing Ring Bush - Top Arm Shaft	Each
11	2A7324	Thrust Washer - Top Arm Shaft	Each
12	2A4326	Thrust Collar - Top Arm Shaft	Each
13	2A4325	Top Arm Shaft	Each
14	2A4327	Retaining Plate - Top Arm Shaft	Each
15	MSLMS0045	Nut - Top Arm Shaft	Each
16	MSLMS0046	Spring Washer - Top Arm Shaft	Each
	SMB108	Top Arm Retaining Plates - Stainless Steel	
	SMBFK003	Top Arm Plate Stainless Fitting Kit	

Best Quality Top arm repair/ service kit, complete with all, seals, bearings, shaft, washers and nuts required to service all dry suspension top arms

## Front Suspension Top Arms & Bushes

1	21A2690	Top Arm RH - Suit Dry Suspension	
1	21A2691	Top Arm LH - Suit Dry Suspension	
2	UHN445	Grease Nipple - Angled	Each
	SMBFK027	Top Arm Stainless Fitting Kit	
	SMB39	Angled Grease Nipples	Pair



## Front Swivel Hubs

**Standard front hubs are manufactured EXCLUSIVELY for Mini Sport using the original tooling.**

3	FAM2391	Disc Type - LH Standard Cast	
3a	FAM2391BUILT	Left Side Built Swivel Hub - Complete and Ready to Fit. Comes with Ball Joints, Wheel Bearings and Seals.	
4	FAM2390	Disc Type - RH Standard Cast	
4a	FAM2390BUILT	Right Side Built Swivel Hub - Complete and Ready to Fit. Comes with Ball Joints, Wheel Bearings and Seals.	
	FAM2390A	Pair Alloy Billet Swivel Hubs, Suit 8.4" Disc all Mini Models 1984 on	
	FAM2390ABUILT	Alloy Front Hub Set, Assembled with Ball Joints and Wheel Bearings.	

## Front Suspension Bushes & Fittings

5	2A4362	Shaft - Lower Suspension Arm	Each
6	21A1882	Bush - Rubber (2 per Arm)	Each
6a	SPDSP657	Bush Kit - Polyurethane Upated (Black or Red)	Kit
	MSLMS0528	Bush Set - Nylon Competition Type	Set
7	GFK1115	3/8" Washer	Each
8	GFK3323	Nut - nyloc 3/8" UNF	Each
	SMBFK010	Bottom Arm Stainless Fitting Kit	

## Front Suspension Lower Arms

9	21A1879	Right Side Standard Lower Arm	
10	21A1881	Left Side Standard Lower Arm	

## Front Suspension Lower Arms

**Negative camber bottom arms** - increasing the negative camber of the front wheels produces more front end grip for cornering and very positive steering. Choose from the options below that best suits your application.

9a	MSLMS0523	Fixed 1.5" Negative Camber - Road Application	Pair
	MSLMS0523/2.0	Fixed 2.0" Negative Camber - Road Application	Pair
9b	MSLMS0514	Rose Jointed for Adjustable Camber - Race or Rally	Pair
10a	SPDSP431A	Heavy Duty Fully Adjustable - Fast road or competition	Pair
10b	SPDSP431HD	Heavy Duty Rose Jointed Fully Adjustable - Race or rally	Pair
	SPDSP4486MR	5/8" Rose Joint for SPDSP431HD arms - RH Thread	
	SPDSP4486ML	5/8" Rose Joint for SPDSP431HD arms - LH Thread	
	SPDSP431HD-SK	Rose Jointed Bottom Arm Spacer Kit	

## Ball Joint (Swivel Pin) Kits

Suit all Mini models - Kit includes all components for the replacement of both ball joints on one swivel hub. Sold per side.

11	GSJ166	Mini Ball Joint Kit - Original Equipment specification	
11a	GSJ268	Metro Ball Joint Kit - Use with Alloy Swivel Hubs	Each
11b	SPDFM-RCA-MINI	Roll Centre Adjusters	
12	BTA377	Rubber Boot - Balljoint	Each
13	VPS145/SHIMKIT	Shims - Balljoint	Per side
19	LN10051	Grease Nipple - Straight	Each
	SMB67	Straight Grease Nipple	Set of 4
	SMBFK008	Ball Joint Stainless Fitting Kit	

## Steering Arms

14	BTA894	RH Steering Arm - Cooper S	Each
14a	BTA894MOD	RH 3 Bolt Steering Arm for Alloy Hubs	
15	BTA895	LH Steering Arm - Cooper S	Each
15a	BTA895MOD	LH 3 bolt Steering Arm for Alloy Hubs	
16	FAM6924	Locating Dowel for Steering Arm, (2 required per arm)	Each
17	2K5377	Lock Tab for Steering Arm	Each
18	2A4315	Steering Arm Bolt 3/8" UNF x 1 3/4"	Each
	SMB123	Steering Arm Lock Tabs - Stainless	Pair

# Front Suspension Arms & Steering

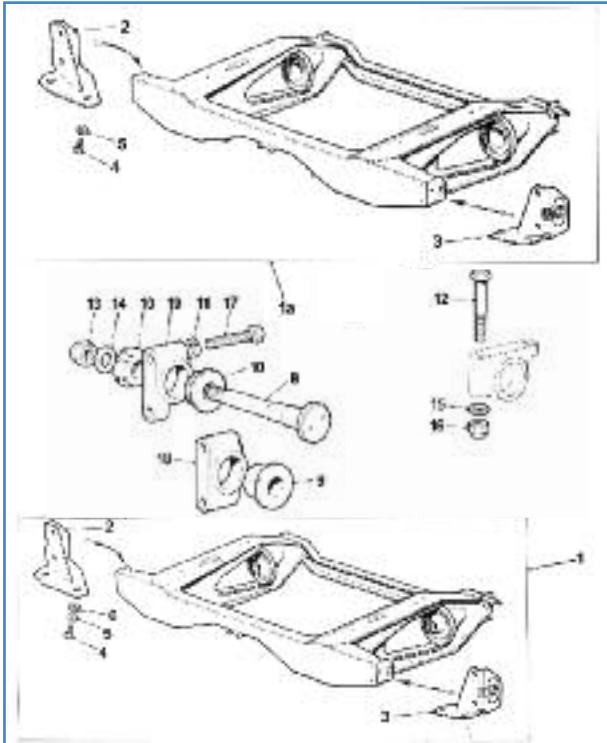
## Steering Racks & Track Rod Ends

19	NAM5058	RHD Brand New Steering Rack	
	NAM5059	LHD Brand New Steering Rack	
	GSR3386	RH Rack - Sportspack	
	GSR1185	LH Rack - Sportspack	
	NAM5058QUICK	RH Quickrack (2.2 turns)	
20	NAM5059QUICK	LH Quickrack (2.2 turns)	
21	GSV1056	Steering Rack Boot Kit	
22	2A6208	Steering Rack U Bolt	Each
	21A2553	Nylon Anti-Friction Strip for U Bolt	Each
	GFK3322	Nyloc Nut for U Bolt	Each
	21A30	Foam Ring - Steering Rack to Body Seal	
23	GSJ734	O.E. Track Rod End	Each
24	GSJ734C	Competition Extended Track Rod End	Each
	17H3481	Rubber Boot for Track Rod End	Each

## Steering Columns & Bushes

25	FAM5285	Inner Column - '75-'76-'84	
	NAM8527	Mk4 Column (inner & outer) - '84 on	
26	FAM2406	Upper Column Plastic Bush - Plastic	Each
27	NAM8563	Lower Inner Column Plastic Bush - '84-'96	
28	BAU001127EVA	Lower Column Felt Bush - '59-'84	Each
29	8G6027	MK1 Column Cowl	
30	8G6035	MK2 Column Cowl	
31	MONMCA-1	Column Lowering Adjuster Bracket	
	BHM7085	Steering column cowl 1976-97	
32	51K4002	Shear Bolt - 37mm	Each
	51K4006	Shear Bolt - 68mm	Each





## Rear Subframes - Genuine



A range of brand new genuine replacement rear subframes to suit all Mini models, manufactured by British Motor Heritage.

1	FAM6292	'59-'91 Dry Suspension Models - No Exhaust Hangers
1	KHB10023	'91 on with 1 exhaust hanger
1	KHB10024	'91 on with 2 exhaust hangers
1	KHB100590	Sportspack '97-'01
1a	21A2160	All (Hydroelastic) Wet Suspension Models

## FULLY ASSEMBLED genuine rear subframes

include: brake backplate & drum assembly, radius arms, rubber cones, knuckle joints and Adjusta Rides, handbrake cables, brake lines, pipes and shock absorbers.

HMP241002	Genuine - Mk4 Built Up and Ready to Fit
HMP241002PC	Genuine '91 on <b>POWDER COATED</b>
HMP241002MK1	Genuine Pre '76
HMP241002MK1PC	Genuine Pre '76 <b>POWDER COATED</b>



## Rear Subframes - Non Genuine



Replacement rear subframes for all Mini models. A non genuine part made to very high standards, perfect if you are on a budget. Also available with Powder coating for extra protection and durability.

1	40-10-007	'59-'91 Dry Suspension Models - No Exhaust Hangers
1	40-10-007PC	'59-'91 Models - No Exhaust Hangers <b>POWDER COATED</b>
1	40-10-008	'91-'97 Dry Suspension Models - with Exhaust Hangers
1	40-10-008PC	'91-'97 Models - Exhaust Hangers <b>POWDER COATED</b>
1a	40-10-006	All (Hydroelastic) Wet Suspension Models

## Rear Subframe Fittings & Mountings

2	21A195	RH Radius Arm/Subframe Bracket	Each
3	21A197	LH Radius Arm/Subframe Bracket	Each
4	GFK5185	5/16"UNF x 1" Set Screw	Each
5	GFK1125	5/16" Spring Washer	Each
6	GFK1114	5/16" Plain Washer	Each



7	HMP841014	Rear Subframe <b>Fitting Kit</b> (As Pic)	
	MSFK001	Rear Subframe <b>Fitting Kit</b> 1976 on	
	MSFK002	Rear Subframe <b>Fitting Kit</b> to 1976	
	MSFK003	Rear Subframe <b>Fitting Kit</b> with Trunions 1976 on	
8	21A1440	Rear Trunion pin	Each
9	21A2560	Rear Mounting Bush, Large	Each
9a	SPDSP664A	Poly Bush Kit - Late (Red or Black)	
9b	MSLMS0531	Nylon Bush Kit - late	
10	2A5818	Rear Mounting Bush - Small	Each
10a	SPDSP662A	Poly Bush Kit - Early (Red or Black)	
10b	MSLMS0532	Nylon Bush Kit - Early	



11	GFK1125	Spring Washer	Each
12	SH605181	Long Trunion Bolt	Each
12a	BH605101	Short Trunion Bolt	Each
13	GFK3323	Nyloc Nut	Each
14	PWZ207	Washer	Each
15	GFK1114	Washer - 5/16"	Each
16	GFK3322	Nut - 5/16" UNF	Each
17	BH605201	Set Screw - Trunion 5/16" UNF	Each



18	21A2558	Trunion (Rectangle)	Each
19	2A5819	Trunion (Step)	Each
20	SMBFK020	Rear Subframe Stainless Mega Fitting Kit	
	SMBFK028	Rear Subframe Mounting Stainless Fitting Kit	
	SMBFK030	Rear Subframe to Boot Heelboard Stainless Fitting Kit	
	SMBFK031	Rear Subframe Bracket Stainless Fitting Kit	
	SMBFK001	Rear Subframe Washers	
	SMBFK046	Rear Trunions Fitting Kit	

## Negative Camber & Tracking Rear Brackets



The ultimate component for allowing perfect rear suspension geometry setting for all minis.

Another great product by Mini Sport



MSLMS0510 Rear Camber and Tracking Kit all Minis

## Rear Subframe Exhaust Mounts

Late type exhaust hanger rods allow the fitment of late type exhausts to early subframes without hangers. Manufactured from stainless steel.



1	MSLPM48	Stainless Front Exhaust Hanger Rod	
2	MSLPM49	Stainless Rear Exhaust Hanger Rod	
3	GEX7661	Rubber Exhaust Hanger Ring, '91 on	Each
	KHU10011	Hanger - Front of Rear Subframe Weld on Type	
	KHU10012	Hanger - Rear of Rear Subframe Weld on Type	
	GEX7248	Rear Subframe Front Exhaust Bracket	
	GEX7249	Rear Subframe Rear Exhaust Bracket	
	GEX7081	Rear Subframe Front Exhaust Rubber Mount (Square)	
	GEX7251	Rear Subframe Front Exhaust Rubber Mount (Bobbin)	
	GFK5185	5/16"UNF x 1" Set Screw	
	GFK1114	5/16" Flat Washer	
	GFK1125	5/16" Spring Washer	
	GHF201	5/16"UNF Nut	

## Rubber Suspension Cones

See page 23 for details



4	FAM3968	Standard Rubber Cone - Front or Rear	
5	FAM3968C	Competition rubber cone - Front or Rear	
6	MSLA318490018	Moulton Smootha Ride Front Cone	
	MSLA318490019	Moulton Smootha Ride Rear Cone	

## Suspension Struts & Knuckle Joints



7	MSLMS0501	Adjusta Ride Rear Struts	Pair
	MSLMS0503	Adjusta Ride Rear Bar	Each
	SUSKIT5	Adjusta Ride Full Car Kit	
8	21A1163	Knuckle Joint - Standard	Each
9	21A423	Knuckle Joint Nylon Cup	Each
10	MSLMS0502	Knuckle Joint - Adjusta Ride	Each
	21A1845	Knuckle Joint Packing Washer	

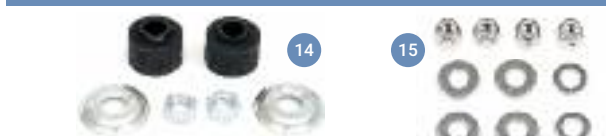


## Rear Bumpstops & Rebound Buffers

11	C-AJJ3313	Progressive Rear Bump Stop Kit	
12	21A1520	Hydroelastic Dome Bump Stop	
	21A1601	Rear Suspension Cone Metal Bump Stop	
13	21A1517	Hydroelastic Flat Dome Rebound	



## Rear Shock Absorber Bushes



14	SPAM45	Rear Top Rubber Bush Kit Each	
	21A1230	Rear Shock Absorber Bottom Bush	
15	SMBFK029	Rear Shock Stainless Fittings Kit	



## Radius Arms & Repair kits



16	MS2694	Reconditioned Radius Arms Complete with New Brake Assemblies	
	NAM7163RECON	LH Reconditioned Arm includes Spindle & Bush Kit	Each
17	NAM7162RECON	RH Reconditioned Arm includes Spindle & Bush Kit	Each
	SURARM1	Surcharge on rReconditioned Radius Arm	Each
	NAM7162	RH Genuine Radius Arm	
	NAM7163	LH Genuine Radius Arm	
	2A7325	Radius Arm Bronze Bush	
	13H442	Radius Arm Roller Bearing	



18	8G7134	Radius Arm Spindle & Bush Kit, Per Arm (as pic)	
19	2A7327	Ring Rubber Bush	Each
20	2A7364	LH Dry Type Stub Shaft	Each
	2A7351	RH Dry Type Stub Shaft	Each
	21A397	Brake Hose Bracket for Dry Suspension Radius Arm	
	NL610041	Hub Nut for Right Hand Stub Shaft	
	FNN2410	Hub Nut for Left Hand Stub Shaft	



21	KADFP011	Alloy Handbrake Quadrants,	Pair
22	21A2454	Handbrake Quadrant	Each
	21A1507	Handbrake Quadrant - Hydroelastic Type	Each
23	CLZ549	Handbrake Quadrant Clevis Pin	Each
	PS104221	Split Pin for Clevis Pins	

## Mini Sport Alloy Handbrake Quadrant

Lightweight alloy handbrake quadrants, direct replacement for the originals.



Choice of 5 Anodised Colours

24	MSLHQUAD	Mini Sport Alloy Handbrake Quadrants	Pair
----	----------	--------------------------------------	------

## Hydroelastic Suspension Pipes



25	21A1575MOD	RH Hydroelastic Pipe - Front to Rear	2-Piece
	21A1575	RH Hydroelastic Pipe - Front to Rear	1-Piece
26	21A1577MOD	LH Hydroelastic Pipe - Front to Rear	2-Piece
	21A1577	LH Hydroelastic Pipe - Front to Rear	1-Piece
	GZS1486	Hydroelastic Fluid, 5 Litres	
27	21A1496	Displacer Boot	Each
	13H1705	Hydroelastic Valve	





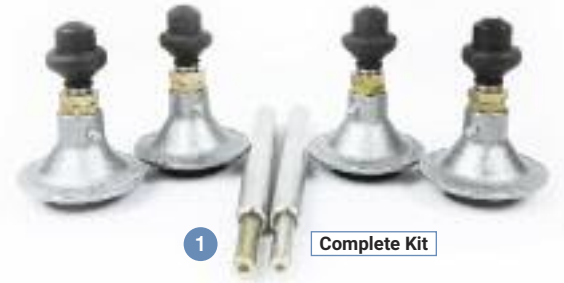
Fully Adjustable Suspension System



ADJUSTA RIDE

DESIGNED · TESTED & MANUFACTURED IN PADIHAM · UK

Easy to fit, improved handling, greater ride comfort and easily adjusted!



Complete Kit

'The Ultimate Variable Height Suspension Kit'

Precision engineered from pressure die cast high specification alloy with high tensile plated steel adjustment, ensuring a reliable and extensive service life. Every component having undergone rigorous and extensive testing, both on and off the car. Its unique design enables a quick and easy fit in only four simple steps; Requires no major mechanical skills. Each unit is a direct replacement for the original alloy trumpet and knuckle joint. Easily adjusted without any body modifications, on all dry suspension Minis.

Once fitted (front and rear) the difference is immediately noticeable, the cornering being more controlled and precise, at the same time improving ride comfort to all occupants. Adjustment is simple, requiring only two spanners, enabling quick height correction for varying road uses.

1	SUSKIT5	Front and Rear	Full Set
2	MSLMS0500	Front Adjusta Ride Set	
3	MSLMS0501	Rear Adjusta Ride Set	
	MSLMS0502	Knuckle Joint (Included in kit)	Each
	MSLMS0503	Rear Bar (Included in kit)	Each
	TOL07004MET	Tool - Suspension Compression Tool (Rubber Cone)	



Front Kit



Rear Kit

Adjusta Ride makes no compromise and is without equal!

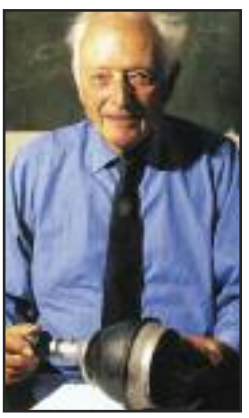
Moulton Smootha Ride Suspension Kit

SMOOTHA Ride

An innovative design developed with the specific purpose to take the harshness out of the Mini suspension, totally transform all dry suspension Minis making a great car more comfortable and easier to drive!

"This Kit will totally transform the ride quality of your Mini! Ideally suited to everyday driving where comfort is a priority"

The Rubber Cones were designed by Dr Alex Moulton (the original designer of Minis suspension) who developed, tested and licensed to manufacture Avon VMS for both the front and rear units.



DESIGNED · TESTED & MANUFACTURED IN PADIHAM · UK

In conjunction with Brian Harper (Mini Sport Chairman) we then created and developed a kit using our Adjusta Ride and Negative Camber and Tracking Rear Brackets, starting a new era in Mini Suspension.



MSLMS0401	Smootha Ride Kit - All Dry Suspension Mini models	
MSLA318490018	Moulton Long Front Cone	Each
MSLA318490019	Moulton Rear Cone	Each
TOL07-004MET	Compression Tool - Metric (Required to fit front Smootha ride units)	

The Alex Moulton Smootha Ride kit includes:

- 2 x Moulton new design Front Suspension Cones.
- 2 x Moulton new design Rear Suspension Cones.
- 2 x Mini Sport Fully adjustable Front Suspension Units.
- 2 x Mini Sport Fully adjustable Rear Suspension Units.
- Rear Negative Camber and Tracking Brackets.
- 2 x front Shock Absorbers.
- 2 x rear Shock Absorbers.
- Comprehensive fitting and setting up instructions.

Ultimate Suspension Handling Packages by Mini Sport

KYB



with Non Adjustable Shock Absorbers			
	SUSCKIT04	Full Kit with GMAX Shock Absorbers	
1	SUSCKIT05	Full Kit with KYB Gas-a-Just Shock Absorbers	
	SUSCKIT06	Full Kit with KYB gas Shock Absorbers	
	SUSCKIT07	Full Kit with KYB oil Shock Absorbers	
	SUSCKIT9	Full Kit with Bilstein B6 Shock Absorbers	
	SUSCKIT10	Full Kit with Bilstein B4 Shock Absorbers	
with Fully Adjustable Shock Absorbers			
2	SUSCKIT01	Full Kit with SPAX Shock Absorbers	
	SUSCKIT02	Full Kit with GAZ 36pt Shock Absorbers	
	SUSCKIT03	Full Kit with KONI Shock Absorbers	

Performance Handling Suspension Kits

These Performance handling kits have been specially put together by Mini Sport to give you the ultimate Adjustable Suspension. Combining the best height adjustable Mini suspension, Adjusta Ride, together with the worlds leading shock absorbers at a very special price this truly is the Ultimate in performance handling.

Kits include: Adjusta Ride full kit plus a choice of 8 shock absorbers.

KONI



Adjustable Kit

with Fully Adjustable Shock Absorbers			
	SUSKIT2	Kit with GAZ 36pt Shock Absorbers	
3	SUSKIT4	Kit with KONI Shock Absorbers	
	SUSKIT6	Kit with SPAX Shock Absorbers	
with Non Adjustable Shock Absorbers			
	SUSKIT3	Kit with GMAX Shock Absorbers	
	SUSKIT8	Full kit with KYB Gas-a-Just Shock Absorbers	
4	SUSKIT9	Full kit with KYB Gas Shock Absorbers	
	SUSKIT10	Full kit with KYB Oil Shock Absorbers	
	SUSKIT11	Full kit with Boge Oil Shock Absorbers	

KYB



Non Adjustable Kit

SPORTS Ride

Specially put together by our technicians, combining the best adjustable suspension parts from Mini Sport along with some of the worlds greatest shock absorbers, in one complete kit at unbelievable prices!

PACKAGE INCLUDES - Mini Sport Adjusta Ride Full Kit, Adjustable tie rods, 1.5° Negative camber bottom arms, Negative camber & tracking rear brackets, Poly bushes for both Bottom Arms and Tie Rods, plus a choice of shock absorbers to suit your requirements and pocket.



Negative Camber & Tracking Kit - Full Car

DESIGNED · TESTED & MANUFACTURED IN PADIHAM · UK



Kit includes:- Mini Sport Negative Camber bottom arms 1.5 degree fixed, Mini Sport Negative Camber and Tracking rear brackets, Mini Sport Group A Adjustable Tie-rods, poly tie rod bushes and poly bottom arm bushes.

	SUSKIT7	Camber & Tracking Kit	- NO Poly Bushes
5	SUSKIT7b	Full Camber & Tracking Kit	- With Poly Bushes

Negative Camber & Tracking Kit - FRONT

DESIGNED · TESTED & MANUFACTURED IN PADIHAM · UK



Kit includes:- Mini Sport Negative camber bottom arms 1.5 degree fixed, Mini Sport Adjustable Tie-rods plus a set of uprated Polyurethane Tie Rod and Bottom Arm Bushes.

6	MSLMS0523KIT	Full Kit with 1.5° Arms	
	MSLMS0523/2.0KIT	Full Kit with 2.0° Arms	





Scan Me



# Shock Absorbers



Gaz shock absorbers strike the ultimate balance between comfort and performance roadholding.

Easy 36 point rotary adjustment providing the facility for fine tuning without the need to remove the shock absorber from the car. Incorporates a double lip oil seal plus a further stem seal on the piston rod. Every unit is fully tested and dispatched from our factory with an individual report. Zinc plated body and accredited ISO9002 standard and supplied with a 2 year warranty.



GAZGTA231B12	Front Standard Length Adjustable	Each
GAZGTA233B12	Rear Standard Length Adjustable	Each
GAZGTA23KITSTD	Set of 4 - Standard Length Adjustable	
GAZGTA236B12	Front Lowered Adjustable	Each
GAZGTA237B12	Rear Lowered Adjustable	Each
GAZGTA23KITLOW	Set of 4 - Lowered Adjustable	

## GAZ Monotube

A new quality damper to satisfy the needs of the discerning competition and track day enthusiasts. Built from high tensile alloy to withstand the high stresses that are involved in race conditions. The damper body is hard anodised to give maximum protection against wear during use. Bump and rebound are on the car adjustable by a single adjuster on the rod and the unit is charged with an inert gas via an internal floating piston.



PTFE lined sperical bearings are used for the end fittings to give a smooth quiet mounting of the unit. **NOTE: Springs are not included, please purchase separately. See AVO section for listing**

GAZGPA238B12	GAZ Monotube Coil Over Front Shocker	Each
GAZGPA239B12	GAZ Monotube Coil Over Rear Shocker	Each



Top quality fast road performance shock absorbers for the driver who requires a little extra from the standard suspension.

- 25% uprated • Self adjusting
- Dual acting

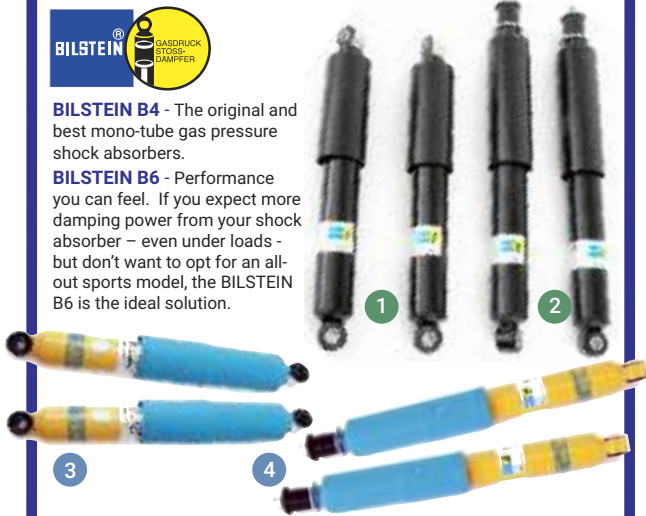
GMAX50R002F	Gmax Front Shock Absorber	Each
GMAX50R002R	Gmax Rear Shock Absorber	Each
GMAX50RKIT	SET 4 Gmax Sport Shock Absorber	

Shock absorbers keep your wheels in contact with the road. Without them your brakes and tyres simply can't do their job!



**BILSTEIN B4** - The original and best mono-tube gas pressure shock absorbers.

**BILSTEIN B6** - Performance you can feel. If you expect more damping power from your shock absorber - even under loads - but don't want to opt for an all-out sports model, the BILSTEIN B6 is the ideal solution.



1	BIL19-221694	Bilstein B4 Front Shock Absorber	Each
2	BIL19-221700	Bilstein B4 Rear Shock Absorber	Each
	BIL19KIT	Set of 4 - Bilstein Sport B4 Shock Absorber	
3	BIL24-181464	Bilstein Sport B6 Front Shock Absorber	Each
4	BIL24-181471	Bilstein Sport B6 Rear Shock Absorber	Each
	BIL24-1814KIT	Set of 4 - Bilstein Sport B6 Shock Absorber	



Improve the Mini's handling, comfort and road holding combined with a higher level of safety.

KON80-1675	Front Special Adjustable	Each
KON80-1794	Rear Special Adjustable	Each
KON80-1KITSTD	Set of 4 - Koni Specials	
KON80-1717	Front Lowered Special Adjustable	Each
KON80-1795	Rear Lowered Special Adjustable	Each
KON80-1KITLOW	Set of 4 - Lowered Koni Specials	
KONSPORT80-1675	Front Sport Adjustable	Each
KONSPORT 80-1794	Rear Sport Adjustable	Each
KONSPORT80-1KIT	Set of 4 - Koni Sport	



Designed to deliver maximum driving control, KYB's higher internal pressure keeps tyres glued to the road while its superior strength monotube design with floating piston makes for fade-free performance and the seamless cylinders and eye rings provide durability.



Premium Oil

KYB442001	Premium Oil, Front	Each
KYB442002	Premium Oil, Rear	Each
KYB44200KIT	Oil	Set of 4
KYB342001	Super Gas, Front	Each
KYB342002	Super Gas, Rear	Each
KYB34200KIT	Super Gas	Set of 4
KYB552018	GAS-A-JUST, Front	Each
KYB552019	GAS-A-JUST, Back	Each
KYB55201KIT	GAS-A-JUST	Set of 4
KYB743044	KYB AGX Twin Tube Adjustable Front	Each
KYB743045	KYB AGX Twin Tube Adjustable Rear Right Hand	Each
KYB743046	KYB AGX Twin Tube Adjustable Rear Left Hand	Each
KYB74304KIT	KYB AGX Twin Tube Adjustables	Set of 4



Gas-a-Just

Super Gas



SPAX telescopic dampers are all fully adjustable with 28 bump and compression adjustments that allow you to set your car up to suit your driving style and road conditions. Spax adjustable dampers are all powder coated and built with triple oil seals for longer life.



(choice: red or yellow powder coating, please state colour when ordering)

SPANGM1-158	Front Adjustable	Each
SPANGM11-158	Rear Adjustable LOWERED	Each
SPANGM2-158	Rear Adjustable	Each
SPANGM12-158	Rear Adjustable LOWERED	Each
SPANGM1KIT	Set of 4 - SPAX Adjustable Shock Absorbers	
SPANGM11KIT	Set of 4 Adjustable LOWERED	
SPAP901	Paddy Hopkirk Special Edition Spax Kit	
SPAP902	Paddy Hopkirk Special Edition LOWERED Kit	
SPACX9027	Mini 7 Spax Front Shock	
SPACX9014	Mini 7 Spax Rear Shock	



**SPAX RSX** the ultimate suspension kit contains 4 uprated, shortened, 28 stage on-car adjustable dampers, matched to a set of Chrome Silicone race type springs.

SPARSX519	Coil Over Conversion Kit	
SPARSX520	Coil Over Conversion Kit (Lowered)	
SPAG893-AS164	Front Coil Over, (Different to Kit Shockers)	Each
SPAG894-AS164	Front Coil Over, Lowered, (Different to Kit)	Each
SPAG896-AS164	Rear Coil Over, (Different to Kit Shockers)	Each
SPAG895-AS164	Rear Coil Over, Lowered, (Different to Kit)	Each

# Shock Absorbers



Scan Me



You will be amazed at the transformation these dampers make to your Minis handling, giving reduced body roll and precise steering response. Smooth 22 stage adjustable damping rate. Suitable for fast road and competition use. Fully rebuildable.

## AVO Adjustable Dampers

TA231	Front Adjustable	Each
TA233	Rear Adjustable	Each
TA231KIT	Set of 4 - Avo Adjustable Shock Absorbers	
TA236	Front Adjustable LOWERED	Each
TA237	Rear Adjustable LOWERED	Each
TA236KIT	Set of 4 Adjustable LOWERED Shock Absorbers	
TG231	GROUP A (Large Body) - Front Adjustable	Each
TG233	GROUP A (Large Body) - Rear Adjustable	Each
TG231KIT	GROUP A (Large Body) - Set of 4 Adjustable	
TG236	GROUP A (Large Body) - Front LOWERED	Each
TG237	GROUP A (Large Body) - Rear LOWERED	Each
TG236KIT	GROUP A (Large Body) - Set of 4 LOWERED	

## AVO Adjustable Coil Over Dampers

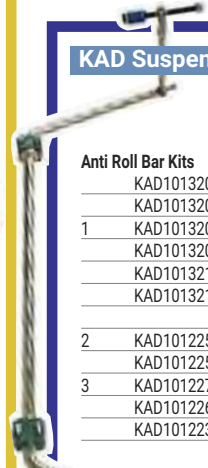
PA238	Front Coil Over	Each
PA240	Front Coil Over, LOWERED	Each
AVO A-225	Front Spring 225lb	Each
AVO A-250	Front Spring 250lb	Each
PA239	Rear Coil Over	Each
PA241	Rear Coil Over, LOWERED	Each
AVO A-100/12	Rear Spring 100lb	Each
AVO A-150	Rear Spring 150lb	Each

## KAD Suspension



### Anti Roll Bar Kits

	KAD1013206	Rear 3/4" dia - Blade Type	Drum Brakes
	KAD1013207	Rear 5/8" dia - Blade Type	Drum Brakes
1	KAD1013208	Front 5/8" dia - Race Type	Weld in Bushes
	KAD1013209	Front 3/4" dia - Road or race Type	Poly Bushes
	KAD1013210	Rear 3/4" dia - Blade Type	Disc Brakes
	KAD1013211	Rear 5/8" dia - Blade Type	Disc Brakes
2	KAD1012250	Alloy Radius arm (1/2" stub)	Pair
	KAD1012251	Alloy Radius Arm (3/8" stub)	Pair
3	KAD1012270	Alloy Rear Hub including Wheel Studs	Pair
	KAD1012260	Rear Negative Camber Brackets	
	KAD1012230	Steering Rack Limiter Kit	



### Anti Roll Bar Kits

Improves stability & handling and helps to control body roll for both road and race cars.







Scan Me



Scan Me

### Mini Sport Alloy Billet Swivel Hubs



Designed and developed to be as strong and light as possible by our State of the Art Engineering Department on the latest Cad-Cam computers. This exceptional piece of design and engineering is an exclusive Mini Sport product, created for Race, Hill Climb & Sprint Cars, where absolutely every gram of weight which can be lost, is of the utmost importance and top priority. Machined by our very own, latest design CNC machines from 7075 Aircraft specification aluminium billet, then hard anodised to make this swivel hub not only strong and durable but 1kg lighter than the standard cast swivel hub. Specially designed with 3 bolt steering arm fixings points, and sealed heavy duty ball joints, for extra strength and rigidity.

Standard Cast Swivel Hub WEIGHT, each = 1.73kg  
 Alloy Billet Swivel Hub WEIGHT, each = 0.71kg

### Front Alloy Billet Swivel Hubs

- 1 FAM2390AKIT Alloy Billet Swivel Hub Kit includes: 2 x Billet Alloy Hubs, ball joints, 3 bolt Steering Arms, Locating Dowels, plus all fixtures and fittings.
- 2 FAM2390A Pair of Handed Alloy Swivel Hubs
- FAM2390ABUILT Alloy Front Hub Kit Assembled with Wheel Bearings

### Mini Sport Alloy Billet Drive Flanges

This exceptional piece of design and engineering is an exclusive Mini Sport product, created for competition Mini, where every gram of weight saving is critical. Losing 0.900kg over a standard Drive flange, giving exceptional weight loss from the un-sprung weight on the front of your Mini. Machined on our own CNC machines using 7075 aircraft specification aluminium billet, then hard anodised.



- 3 21A2695A Drive Flange Alloy Billet, to Suit 8.4" Discs and all Minis 1984 onwards
- 21A1270A Drive Flange Alloy Billet, to suit 7.5" Discs, Cooper S

Standard Drive Flange WEIGHT, each = 1.470kg  
 Alloy Billet Drive Flange WEIGHT, each = 0.570kg

### Drive Flanges



Another exceptional product by Mini Sport, these drive flanges are produced using the original tooling and to original specification, ensuring quality and reliability. Mini Sport manufacture nearly every Mini drive flange in the world, so wherever you buy a drive flange it's probably one of ours!

- 4 21A1270 Drive Flange - Cooper S/GT Type (10" Wheels / 7.5" Disc)
- 21A1270HD Drive Flange - Cooper S/GT Type - Hardened EN24 Steel
- 5 21A2695 Drive Flange - Late Disc Type (12" Wheels / 8.4" Disc)
- 21A2695HD Drive Flange - Late Disc Type - Hardened EN24 Steel
- 6 21A231 Drive Flange - Drum Type (10" Wheels)
- BTA370 Bolt - Drive Flange 8.4" Disc
- SF604061 Screw - Drive Flange 7.5" Disc

EN24 Hardened steel flanges are used for competition or fast road where the stresses are increased due to enthusiastic driving.



- 7 2A7323 Washer - Front Hub Nut, Drum Type CV Joints
- 8 2A4295 Drive Flange Spacer - Drum Type or 997/998 Cooper
- 21A2604 Front Wheel Stud, 35mm Each
- FAM9270 Split Collar - Front Hub Nut, Disc Type CV Joints
- C-FAM9270 EN24 drive flange collars

### Outer CV Joints

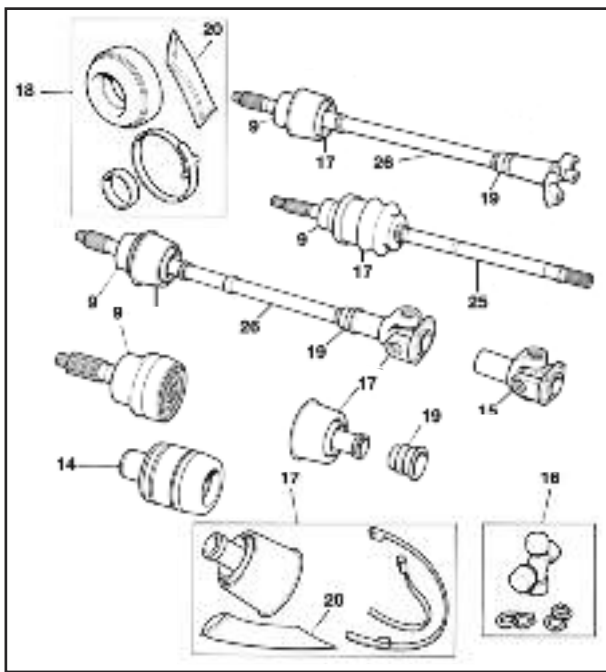


- 9 GCV1013 Disc Type CV Joint inc Boot & Clips
- 10 GCV1105 Drum Type CV Joint inc Boot & Clips

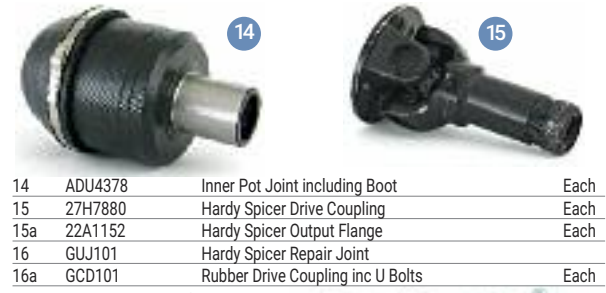
### Nuts, Washers & Seals



- 11 BTA249 Castle Nut for CV Joint
- 12 FAM9270 Split Collar for CV Joint/Drive Flange
- 13 C-FAM9270 Split Collar (Pair) for CV Joint/Drive Flange - EN24 Disc Type
- 14 21A79 Castle Nut for CV Joint
- 2A7323 Washer for CV Joint Castle Nut (21A79)
- BTA1326 Seal Inner - Front Hub
- 13H0106 Seal Outer - Front Hub



### Inner CV Joints, Couplings & Seals



- 14 ADU4378 Inner Pot Joint including Boot
- 15 27H7880 Hardy Spicer Drive Coupling
- 15a 22A1152 Hardy Spicer Output Flange
- 16 GUJ101 Hardy Spicer Repair Joint
- 16a GCD101 Rubber Drive Coupling inc U Bolts

### CV Boots and Grease



- 17 GSV1185 Outer CV Boot Kit
- 18 GSV1073 Inner CV Boot Kit (Pot Joint)
- 19 GSV1192 Driveshaft Small Boot (Hardy Spicer & Rubber)
- 20 AKF1457 CV Grease Sachet

### Front Swivel Hubs



Mini Sport own the original BMC/Innocenti tooling which is used to produce our Swivel Hubs to this day.

- Original Tooling
- Original Manufacturer
- Original Quality

All other swivel hubs on the market are imitations!

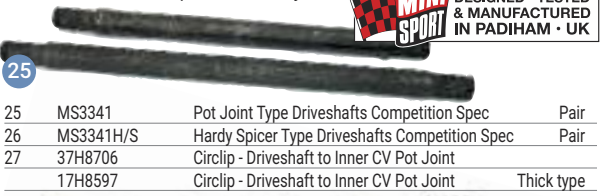


- 21 FAM2391 Disc type - LH Standard Cast
- 22 FAM2390 Disc type - RH Standard Cast
- 23 FAM2391BUILT Left Side Built Swivel Hub - Complete and ready to fit. Comes with Ball Joints, Wheel Bearings and Seals.
- 24 FAM2390BUILT Right Side Built Swivel Hub - Complete and ready to fit. Comes with Ball Joints, Wheel Bearings and Seals.
- LN10051 Grease Nipple - Straight
- SMB67 Straight Grease Nipple
- GSJ166 Mini Ball Joint Kit - Original Equipment Specification
- GSJ268 Metro Ball Joint Kit - for use with Mini Sport Alloy Swivel Hubs
- VPS145/SHIMKIT Shims - Balljoint
- BTA377 Rubber Boot - Balljoint

For wheel bearings please see next page

### Drive Shafts - Competition

A Pair of hardened uprated drive shafts with choice of coupling type, suitable for road, competition or rally use.



- 25 MS3341 Pot Joint Type Driveshafts Competition Spec
- 26 MS3341H/S Hardy Spicer Type Driveshafts Competition Spec
- 27 37H8706 Circlip - Driveshaft to Inner CV Pot Joint
- 17H8597 Circlip - Driveshaft to Inner CV Pot Joint
- 28 C-MSRSHAFT02 'R' Range Competition Pot Joint Drive Shafts
- 28 C-MSRSHAFT01 'R' Range Competition Hardy Spicer Drive Shafts



Competition Drive Shafts





Scan Me



Drivetrain

## Equal Length Driveshaft Kit



**MINI SPORT** DESIGNED · TESTED & MANUFACTURED IN PADIHAM · UK

**Equal Length Shafts - Hardy Spicer type Couplings.**  
To reduce the effects of torque steer, equal length drive shafts are required. When the shafts are the same length torque steer can still occur, but only when the vehicles ride height is different on one side to the other.

Designed, developed and precision manufactured by Mini Sport to our exceptional high standards and specification, using only the best

Machined from aircraft grade billet aluminium components to produce a kit that is capable of running high powered engines with the reliability required for competition.



This is the ultimate equal length drive shaft kit available and will overcome the problem torque steer in your Mini!

Torque Steer is a term used to describe a condition in which your Mini tends to pull in one direction when engine power is applied quickly to the wheels.

Equal Length Drivshaft Kit - for use with Hardy Spicer type Couplings  
1 C-MAD005 Equal Length Drive Shaft Kit, Complete (Requires Hardy Spicer Couplings)

## Mini Sport Alloy Billet Rear Hubs



**MINI SPORT** DESIGNED · TESTED & MANUFACTURED IN PADIHAM · UK

Standard Cast Rear Hub WEIGHT, each = 0.931kg  
Alloy Billet Rear Hub WEIGHT, each = 0.419kg

This exceptional piece of design and engineering is an exclusive Mini Sport product, created for Race, Hill Climb and Sprint Cars where absolutely every gram of weight which can be lost, is of the up most importance and top priority.

Machined by our very own, latest design CNC in house machines from 7075 aircraft grade high specification aluminium billet, then hard anodised. These Mini Sport rear hubs are not only strong and durable but over 0.5kg lighter than the standard cast rear hub!

2 21A1277A Pair Alloy Billet Rear Hubs Complete with Wheel Studs and Dust Covers.  
21A1277ABUILT Pair of Alloy Rear Hubs Fitted with Timken Wheel Bearings

## Rear Hub & Wheel Studs

3	21A2023	Rear Hub (All Years, No Studs)	
	FNN2410	Nut - LH Rear Hub	
	NL610041	Nut - RH Rear Hub	
	BTA672	Washer - Hub Nut	
4	21A2064	Stud - Rear - standard	Each
5	ERA5432	Stud - Rear - 56mm	Each
	ERA5433	Stud - Rear - 65mm	Each
	GRASS30	Stud - Rear - 80mm	Each
	GFK103	Rear Hub Nut split Pin	
	ATB4098	Rear Hub Grease Cap	
	ATB4098A	Rear Hub Grease Cap - Alloy	
	FNN2410	Rear Hub Nut - LH	
	NL610041	Rear Hub Nut - RH	
	BTA672	Washer for Rear Hub Nut	

## Wheel Bearings



**TIMKEN**

**TIMKEN**



A range of top quality replacement wheel bearings for either the front or rear. A choice of both Genuine or Original Equipment specification.

6	GHK1548TIMKEN	Timken Taper Roller Rear Wheel Bearing Kit	
	GHK1140	Front Taper Roller Bearing Kit includes Seals	Disc Type
7	GHK1140TIMKEN	Timken Front Wheel Bearing Kit	Disc Type
8	GHK1018	Front Ball Bearing Kit includes Seals	Drum Type
9	GHK1548	Rear Taper Roller Bearing Kit includes Seals	
10	BTA1326	Seal - Bearing INNER - Front Swivel Hub	
11	13H0106	Seal - Bearing OUTER - Front Swivel Hub	
12	GHS102	Seal - Bearing	Rear Hub

## Diff End Cover, Gasket & Seals

13	22A1611	Diff End Cover Gasket	Each
14	ADU5738	Diff Output Oil Seal (pot joint Type)	Each
	AHU1082	Diff Output Oil Seal (Hardy Spicer Type)	Each
	ADU5738OE	Pot Joint Diff Oil Seal - OE Spec	



## Differential Output Shafts

15	MS3323	LSD Stub Shaft - Pot Joint Type	Each
	MS3322	LSD Output Shaft - Hardy Spicer Type	Each
16	DAM3114	Standard Pot Joint Diff Output Shaft	
	37H8706	Circlip	

## TRANEX - Limited Slip Differential (L.S.D)



Tran-x Diffs have two ramp blocks which sandwich four pins and planet gears. These sit in the radius between the leading/trailing ramp angles and push the blocks apart increasing the transfer of torque by riding up their respective leading ramps.

17	10745	Tran-X Plate Type LSD - for Race, Rally or Hill Climb	
	10821	Tran-X Diff Plate Kit	

## Auto Bias Differential



Fits directly into the Mini pot joint type gearbox.

The Automatic Torque Biasing Diff enables your Mini to accelerate quicker and corner faster, by putting the power to the ground effectively!

The ATB differential powers both drive wheels under nearly all conditions. It senses which wheel has the better grip, and automatically biases the power to that wheel. It does this smoothly and constantly, without ever completely removing power from the other wheel. In cornering, while accelerating out of a turn, the ATB diff biases greater power to the outside wheel, reducing inside-wheel spin. Allowing the driver to begin accelerating earlier and exiting the corner at a higher speed.

Unlike a conventional plate-style limited slip differential, the ATB differential relies on gears rather than clutch plates, making it much smoother in operation. This design offers maximum traction, improves handling by reducing under steer, curbing steering 'fight' and puts the power where it is needed most, an advantage, whether you are on a Track Day, racing or driving a performance Mini on the road.

18a	QDF36K	Quaife ATB Differential - Pot Joint Type	
18b	MSL3610-HD	NGX Auto Bias Differential - Pot Joint Type	

## 4 Pinion Differential by Mini Sport



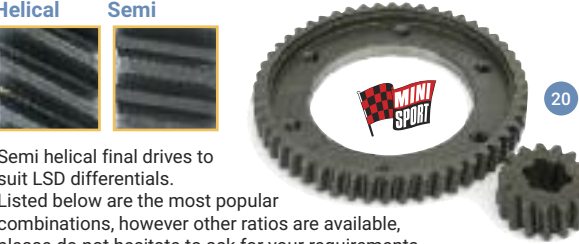
**MINI SPORT** DESIGNED · TESTED & MANUFACTURED IN PADIHAM · UK

Re-occurring problems with the standard differential especially under competition circumstances prompted us to design and develop the 4 pinion differential. Engineered and crafted from an innovative design in high specification materials to give a very tough and hard wearing component. Highly recommended for all disciplines of motorsport and modified cars. Suit rubber drive coupling, pot joint or Hardy Spicer types.

The 4 pinion differential was designed and developed for the serious fast road and competition driver who requires confidence that the power of their engine is transferred to the wheels without stress related breakages.

	MSLMS0515	4 Pin Differential - Rubber Coupling Type	
19	MSLMS0516	4 Pin Differential - Pot Joint Type	
	MSLMS0516KIT	4 Pin Differential Kit (No output shaft)	

## LSD Type Final Drives - Semi Helical



Helical Semi

Semi helical final drives to suit LSD differentials. Listed below are the most popular combinations, however other ratios are available, please do not hesitate to ask for your requirements.

20	MS3326	3.44 Crown Wheel & Pinion (52 x 15)	
	MS3329	3.76 Crown Wheel & Pinion	
	MS3330	3.93 Crown Wheel & Pinion (55 x 14)	
	MS3331	4.07 Crown Wheel & Pinion (53 x 13)	
	MS3332	4.23 Crown Wheel & Pinion (55 x 13)	
	MS3333	4.31 Crown Wheel & Pinion (56 x 13)	
	MS3334	4.52 Crown Wheel & Pinion	
	MS3335	4.67 Crown Wheel & Pinion (56 x 12)	

## Standard Final Drives - Semi Helical & Helical



**MINI SPORT** DESIGNED · TESTED & MANUFACTURED IN PADIHAM · UK

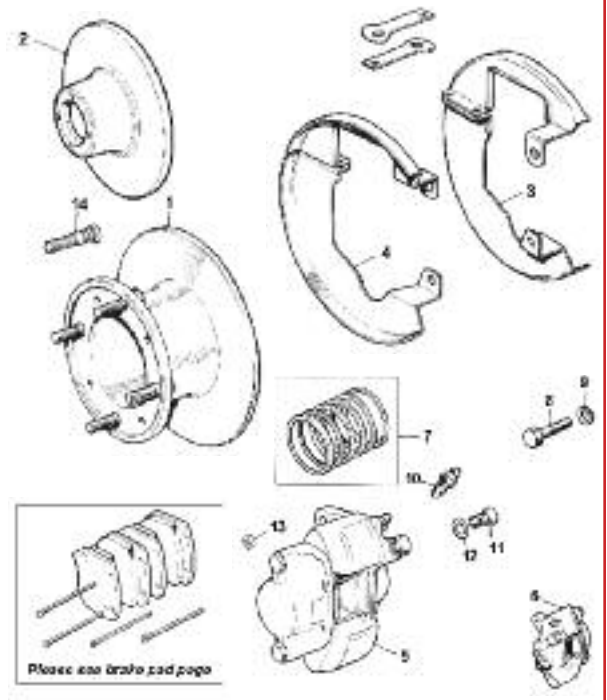
	MS3337	3.93 - Crown Wheel & Pinion (55 x 14) - Semi Helical	
	MS3343	4.10 - Crown Wheel & Pinion (54 x 13) - Semi Helical	
	MS3338	4.31 - Crown Wheel & Pinion (56 x 13) - Semi Helical	
	MS3339	4.67 - Crown Wheel & Pinion (56 x 12) - Semi Helical	
21	TCC10001	2.76:1 - Pinion Only (21) - Helical	
	TCB10004	2.76:1 - Crown Wheel Only (58) - Helical	
	MS2039	2.95:1 - Crown Wheel & Pinion (59 x 20) - Helical	
22	MS2040	3.10:1 - Crown Wheel & Pinion (59 x 19) - Helical	
	MS2038	3.44:1 - Crown Wheel & Pinion (62 x 18) - Helical	
	MS2035	3.76:1 - Crown Wheel & Pinion - Helical	





# Front Brakes - Disc

Brake System



## Standard Brake Discs & Kits

1	GBD101	Cooper S - 7.5" Disc	(10" wheels)	Each
	21A1265SP	Cooper S <b>Heavy Duty</b> - 7.5" Disc	(10" wheels)	Each
	EBCD059	EBC Cooper S - 7.5" Disc	(10" wheels)	Each
1a	BTA193	Cooper 998cc - 7" Disc	(10" wheels)	Each
2	GBD90806	Mini '84 on - 8.4" Disc	(12" wheels)	Each
	EBCD182	EBC Mini '84 on - 8.4" Discs	(12" wheels)	Pair
	NAM6450	Vented - 8.4"	(12" wheels)	Each
2a	GBD90806KIT	Front Brake Kit - Mini '84 on	(12" wheels)	

## Standard Disc Brake Assemblies

Our Mini Sport standard disc drive assemblies come professionally built using brand new parts including; calipers, brake discs, brake pads, swivel hubs, ball joints, steering arms, wheel bearings, CV joints and drive flanges.



### Cooper S Disc Brake Set

MS2680	Cooper S OE Calipers <b>Built</b>	- 7.5" Discs
MS2680GEN	Cooper S <b>AP</b> Calipers <b>Built</b>	- 7.5" Discs
MS2680KIT	Cooper S OE Calipers <b>Self Build</b>	- 7.5" Discs
MS2680GENKIT	Cooper S <b>AP</b> Calipers <b>Self Build</b>	- 7.5" Discs
MS2682	Mini '84 on <b>Built</b>	- 8.4" Discs
MS2682KIT	Mini 84 on <b>Self Build</b>	- 8.4" Discs



### Cooper S Self Build Disc Brake Kit

## 12" To 10" Mini Brake Conversion Kit



Kit to convert your Mini with 8.4" Brakes (12" wheels) to the original Cooper S 7.5" Brakes (10" wheels). A very popular conversion giving your Mini the great Cooper S look with 10" wheels and also the best handling.

The Cooper S conversion kit comprises of:  
27H4657 - LH Cooper S brake caliper  
27H4656 - RH Cooper S brake caliper  
GBD101 - 2 x 7.5" Cooper S brake discs  
21A1270 - 2 x Cooper S drive flanges  
GBP103MIN - Set of Mintex brake pads  
200A1224KIT - Brake pad fitting kit  
SF604061 - 8 x Drive Flange retaining screws

1	MS2681	Cooper S Conversion Kit - As Pictured
	MS2681GEN	Cooper S Conversion Kit with Genuine AP Calipers
	MS2681A-R	Alloy Caliper Brake Conversion Kit - Red
	PH33.022	Paddy Hopkirk Alloy Caliper Brake Conversion Kit



# Front Brakes - Disc & Drum

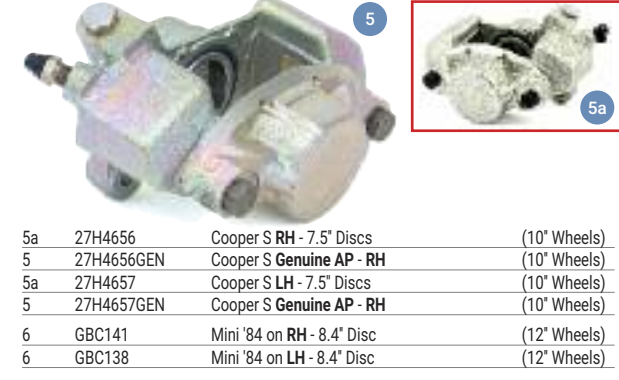


Brake System

## Standard Brake Calipers



3/4	MCR88	Brake Cover Full Set - Cooper S	7.5" Discs
3	40-10-11	Brake Cover LH Set - Cooper S	7.5" Discs
3	HMP441033	Brake Cover Kit - LH - Mini '84on	8.4" Discs
3a	WRRP019R	Caliper Protector Brackets <b>WORKS</b> - Red	Pair
3a	WRRP019B	Caliper Protector Brackets <b>WORKS</b> - Black	Pair
4	40-10-12	Brake Cover RH Set - Cooper S	7.5" Discs
4	HMP441032	Brake Cover Kit - RH - Mini '84on	8.4" Discs



5a	27H4656	Cooper S RH - 7.5" Discs	(10" Wheels)
5	27H4656GEN	Cooper S <b>Genuine AP</b> - RH	(10" Wheels)
5a	27H4657	Cooper S LH - 7.5" Discs	(10" Wheels)
5	27H4657GEN	Cooper S <b>Genuine AP</b> - RH	(10" Wheels)
6	GBC141	Mini '84 on RH - 8.4" Disc	(12" Wheels)
6	GBC138	Mini '84 on LH - 8.4" Disc	(12" Wheels)

## Brake Caliper Service Parts



A	114713S	Caliper Piston <b>Stainless Steel</b> - '84 on 8.4" Discs	Each
B	3277-535S	Caliper Piston <b>Stainless Steel</b> - 'S' 7.5" Discs	Each
C	MSLMS0002	Alloy Caliper Piston - Mini Sport 4 pot Calipers	Each



7	GRK5009	Cooper 998cc Caliper Seal kit - 7" Discs	Per caliper
7	GRK5006	Cooper S Caliper Seal Kit - 7.5" Discs	Per caliper
7	GRK5008	Mini '84 Caliper Seal Kit - 8.4" Discs	Per caliper
7	GRK5003MS	Mini Sport 4 pot Caliper Seal kit	Per caliper
8	53K1048	Bolt - Caliper	
9	MSLMS0047	Spring Washer - Caliper Bolt	
10	3H2428	Bleed Nipple - Caliper	Each
	SF604061	Screw - drive flange Cooper S type - 7.5" Discs	Each
	BTA370	Bolt - drive flange Mini '84on - 8.4" Discs	Each
	B580X	Bleed Nipple - Mini Sport Alloy Caliper	Each
	MSLMS0055	Bleed Nipple Insert - Mini Sport Alloy Caliper	Each
11	17H7917	Bleed Plug - Caliper	Each
12	3H550	Copper Washer - Bleed Plug	Each
13	17H8764	Cooper S Caliper Bridge Seal	Each
13	17H7679	Mini '84 on Caliper Bridge Seal	Each
14	21A2064	Stud - Front Wheel	Each

## Front Drums & Brake Shoes



15	GBD105	Front Brake Drum - Mini pre '84	Each
	EBCDM019	EBC Brake Drum - Standard	Each
16	GBS733AF	Front Brake Shoes - Standard	Set of 4
	GBS733MIN	Front Brake Shoes - <b>Mintex</b>	Set of 4

## Front Back Plate Assemblies

Complete front brake assembly, fully built and ready to fit. Comes with back plate, wheel cylinder, brake shoes and return springs.



17	MS2693	Front Back Plate Assembly - Ready to fit	Pair
----	--------	--	------

## Backplates, Wheel Cylinders, Springs & Fittings



18	37H2013	Front Backplate - Right Hand (Twin Leading Shoe)	
18	37H2014	Front Backplate - Left Hand (Twin Leading Shoe)	
	GWC101	Mk1 15/16" for Single Leading Shoe	- '59-'64
19	GWC102	Mk1 850 - RH - (Early - Twin Leading Shoe)	- to '67
19	GWC126	Mk2 998 - RH (Late - Twin Leading Shoe)	- '67 on
20	GWC103	Mk1 850 - LH - (Early - Twin Leading Shoe)	- to '67
20	GWC127	Mk2 998 - LH (Late - Twin Leading Shoe)	- '67 on



21	37H3833	Front Wheel Cylinder Gasket	Each
22	GRK2002	Repair Kit - Front Cylinder GWC126 / GWC127	Each
23	GRK2013	Repair Kit - Front Cylinder GWC101	Each

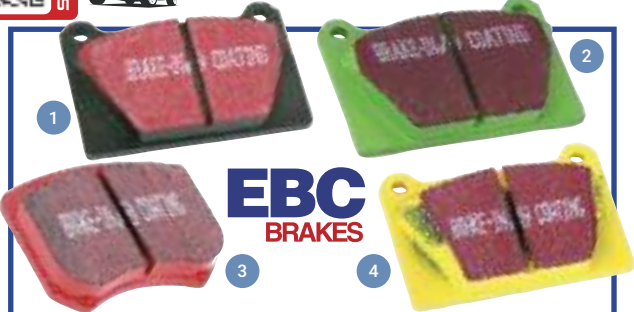


24	3H2428	Front Bleed Screw	Each
25	27H3753	Front Brake Shoe Retaining Spring - '64-84	Each
	SH604031	Front Backplate to Cylinder Short Bolt	Each
	SH605051	Front Backplate to Cylinder Long Bolt	Each
26	CMZ407	Brake Drum Screw - Short, Early	Each
27	AAU8243	Front Brake Shoe Return Spring	Each
	SMBFK025	Brake Drum Screws - Stainless	Pair





# Brake Pads, Shoes & Fitting Kits



- 1. Black Stuff** - A quality OEM replacement pad, made in the UK the Ultimax2™ brake pad is beautifully engineered compound that lasts well, produces minimal dust and is perfect for the daily driver.
- 2. Green Stuff** - The latest version of Greenstuff brake pads are a deliberately softer compound to improve pedal feel on lighter cars at lower speeds. EBC's medium dust fast road brake pad with 20-25% brake improvement.
- 3. Red Stuff** - As EBC's flagship street brake pad material for faster Minis, setting new standards in brake performance. EBC's lowest dust, fast road brake pad with 20-25% brake improvement.
- 4. Yellow Stuff** - Fastest Street, Trackday & Drift racing brake pads High friction formula improves brake effect 30-40%.



## BRAKE PADS



**Standard** - Mintex brake pads are developed and engineered to meet a significant demand for cost-effective braking solutions that deliver the optimum balance between performance and extended service life, by providing quality products at affordable prices.

**M1144** - the material for fast road use as well as light competition such as karting, hill climb and single seat racing cars. Works from cold, and remain stable and consistent through to 450°C

**M1155** - for competition use but can be used for normal road if bedded in carefully. M1155 is similar to M1144 but remains consistent to a maximum operating temperature of 550-600°C.

**M1166** - Purely competition use only, suitable for rally or racing. The friction level is higher than that of M1155 but remains consistent to temperatures of 700°C. No special bedding in procedure is required.

# Paddy Hopkirk Performance Brakes & Performance Brake Discs & Kits



All parts have been carefully designed and developed by Mini Sport Ltd in conjunction with Paddy Hopkirk®

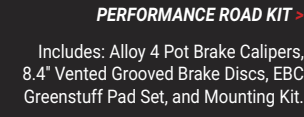
## 8.4" Vented Brake Kits - (all models '84-'01)

Direct replacement for any Mini front brakes from 1984-2001.



### < ULTIMATE PERFORMANCE KIT

Includes: Alloy 4 Pot Brake Calipers, 8.4" Vented Brake Discs, EBC Greenstuff Pad Set, Drive Flanges, Stainless Steel Braided front brake line set and Mounting Kit.  
PH33.020 8.4" Mini 1984 on Performance Brake Kit



### PERFORMANCE ROAD KIT >

Includes: Alloy 4 Pot Brake Calipers, 8.4" Vented Grooved Brake Discs, EBC Greenstuff Pad Set, and Mounting Kit.  
PH33.032 8.4 Vented 4 pot Alloy Caliper Road Kit



## Disc Drive Assemblies

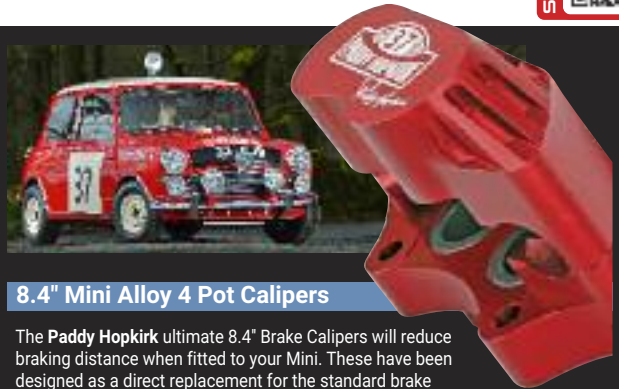


The Paddy Hopkirk disc drive assemblies are based on the brake kits, using all the same parts but built into a complete front hub assembly.

Each assembly is professionally built using only top quality, brand new parts:-  
Paddy Hopkirk Performance brake kit, swivel hubs, ball joints, steering arms, taper roller wheel bearings, CV joints and drive flanges.



PH33.021	7.5" Cooper S Assembly	- Grooved Discs
PH33.011	8.4" Mini '84 on, Assembly	- Solid discs Standard
PH33.031	8.4" Mini '84 on, Assembly	- Vented Grooved Discs



## 8.4" Mini Alloy 4 Pot Calipers

The Paddy Hopkirk ultimate 8.4" Brake Calipers will reduce braking distance when fitted to your Mini. These have been designed as a direct replacement for the standard brake calipers on any Mini or Cooper from 1984-2001, to increase braking and cooling performance. PTFE coated to resist dirt and corrosion. Include Brake Pads.

PH33.010	8.4" Alloy Caliper Set & EBC Greenstuff Fast Road Pads
PH33.012	8.4" Alloy Caliper Set & Road Pads

## 7.5" Performance Brake Kit - (all models '84-'01)



### < PERFORMANCE BRAKE KIT

Includes: Alloy 4 Pot Brake Calipers, Grooved 7.5" Cooper S Brake Discs, Cooper S Drive Flanges, EBC Greenstuff Pad Set, Stainless Steel Braided front brake line set and Mounting Kit.

PH33.020	7.5" Cooper S Performance Brake Kit
----------	-------------------------------------

### 12" TO 10" CONVERSION KIT >

Convert your Mini brakes to 7.5" Cooper S, fit 10" wheels, for the ultimate classic looks and handling!

Includes: Alloy 4 Pot Brake Calipers, 7.5" brake discs, Drive Flanges, Mintex brake pad set and Mounting Kit.

PH33.022	12" to 10" 4 pot Alloy Caliper Road Kit
----------	---



## Brake Pads - Fitment Table



Brake Pads	EBC BRAKES				mintex racing				TAR.OX	
	Black Stuff	Green Stuff	Red Stuff	Yellow Stuff	Standard	M1144	M1155	M1166	Fast Road	Track
Cooper 998cc - 7" Discs	EBCDP128	EBCDP2128	-	-	GBP102MIN	MLB19/44	MLB19/55	-	-	-
Cooper S - 7.5" Disc	EBCDP102	EBCDP2102	EBCDP3102	EBCDP4102	GBP103MIN	MLB20/44	MLB20/55	20F4R.14/50	-	-
Mini '84on - 8.4" Disc	EBCDP127	EBCDP2127	-	-	GBP281MIN	MLB37/44	MLB37/55	-	TAR0043.112	-
Mini Sport Alloy Calipers	EBCDP627	EBCDP2627	EBCDP3627	EBCDP4627	GBP258MIN	MLB65/44	MLB65/55	MLB65F4R	TAR0190.112	-

## Brake Pad Fitting Kits

An absolute must when replacing brake pads. Using a new fitting kit will ensure safe and correct operation of your new brake pads.



5	LX0033	Mini '84 on - for 8.4" Brake Discs	Full set 2 calipers
6	200A1224KIT	Cooper S Brake Pad Pin	Set of 4
<b>Mini Sport Alloy Caliper Fitting Kits</b>			
6	200A1524KIT	Mini Sport Alloy Caliper Pad Pins	Set of 4

## Front / Rear Brake Shoes

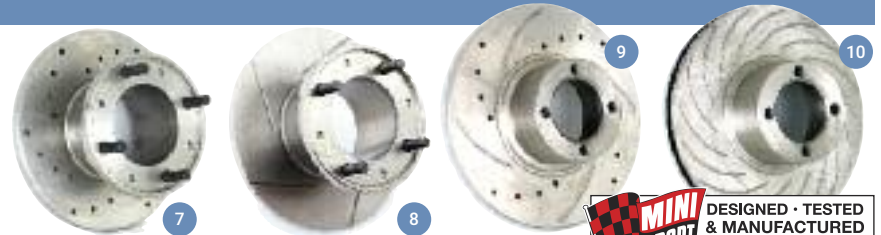


A range of replacement brake shoes for both front and rear Mini drum type brakes

GBS733AF	Standard - Brake Shoes	Front
GBS834AF	Standard - Brake Shoes	Rear
GBS733MIN	Mintex - Standard Brake Shoes	Front
GBS834MIN	Mintex - Standard Brake Shoes	Rear
MLR17M20	Mintex Rally / Race - Brake Shoes	Front
MLR5M20	Mintex Rally / Race - Brake Shoes	Rear

## Performance Brake Discs & Kits

A range of top quality replacement performance brake discs by Mini Sport. Precision CNC machined and finished in our engineering department. Using our years of experience to optimise the positions of the grooves and cross drilling to maximise braking performance whilst ensuring the integrity and strength of the brake disc.



### Discs to suit standard calipers

7	21A1265D	7.5" Cooper S Discs, Pair	X-drilled
8	GBD101GROOVED	7.5" Cooper S Discs, Pair	Straight Grooved
9	21A2612D/G	8.4" Mini '84 on Discs, Pair	Grooved & X-drilled
	NAM6450G	8.4" Vented Discs (Metro), Pair	Curve Grooved

### Discs to suit Mini Sport 4 Pot Alloy Calipers

	21A2612G/7.9	7.9" Solid Discs, Pair	Curve Grooved
	NAM6450G7.9	7.9" Vented Discs, Pair	Curve Grooved
10	NAM6450G/AC	8.4" Vented Discs, Pair	Curve Grooved



## Increase confidence when braking!

Developed by Mini Sport Engineering with EBC brake pads, Sure Stop kits maximise stopping performance.

11	SSBK01S	7.5" Cooper S X-drilled Discs & EBC Brake Pads
12	SSBK02E	8.4" Mini '84 on Grooved & X-drilled discs & EBC Pads





6.3kg Weight Saving		
Monoblock Kit	Cooper S 7.5" Brakes	Mini 8.4" Brakes
10.06kg	13.56kg	16.52kg

## R RANGE BRAKE KITS

### Lighter, Stronger, Safer

It's the ULTIMATE BRAKING EXPERIENCE. Completely focused and performance oriented, the Mini Sport 'R' Range brake kit is equally at home on the track as it is on the open road. With its ultra-lightweight construction and pioneering technology, it delivers super car stopping power time and again.



**1<sup>st</sup>** A World First in Mini Design  
Monoblock 4-piston calipers and vented 8.15" rotors, that fit under 10" Mini wheels

Uncompromisingly fulfilling the highest of standards in every last detail...

- Ultra-Lightweight
- Total rigidity
- Incredible pedal feedback
- Ultimate braking control
- Effective heat dissipation
- Consistent, efficient & safe
- Specially developed rotors
- Larger bespoke pads

C-MSRCALIPER01 'R' Range Brake Kit - Road  
C-MSRCALIPER02 'R' Range Brake Kit - Competition

The rigid, four-piston aluminium monoblock brake calipers have been engineered without compromise to deliver undiluted feedback, with exceptional consistency to withstand extremely high braking forces, redefining what is possible!

The Best just got Better!



## Mini Sport 4 Pot Calipers



Black

### 4 Pot Alloy Brake Calipers by Mini Sport

For over 50 years Mini Sport has been a World Leader in the technology and manufacture of competition and performance components for the Mini.

A lightweight high performance caliper (only 1.1kg per pair), produced here in Padiham, Lancashire by Motorsport Advanced Developments (M.A.D.) on our very own CNC Mazak milling machines, ensuring the highest specification and finest tolerances for exceptional reliability and safety.



Gold

4 size options to suit every Mini fitment

### 7.5" Calipers:

Direct replacement for the original Cooper S brake caliper, used with 7.5" solid brake discs. Increased braking performance with a touch of style. Perfect for road or competition.

MSLMS0509-7.5	7.5" Calipers, Pair - Cooper S	7.5" Discs
---------------	--------------------------------	------------

### 7.9" Vented Calipers:

An engineering masterpiece, fit big 7.9" vented brakes behind a 10" wheel (requires 7.9" vented discs, NAM6450G7.9 - Page 37)

MSLMS0509-7.9V	7.9" Calipers, Pair - Special	7.9" Vented Discs
----------------	-------------------------------	-------------------

### 8.4" Calipers:

Direct replacement for the original brake calipers on Minis '84 on, using 8.4" solid brake discs. Increased braking performance with a touch of style. Perfect for road or competition.

MSLMS0509-8.4	8.4" Calipers, Pair - 1984 on Mini	8.4" Solid Discs
---------------	------------------------------------	------------------

### 8.4" Vented Calipers:

"Ultimate" Mini brakes, designed by Mini Sport Engineering, using 8.4" Vented brake discs, maximising braking performance and optimising heat dissipation (cooling). (requires 8.4" vented discs, NAM6450G/AC - Page 37)

MSLMS0509-8.4V	8.4" Calipers, Pair - Special	8.4" Vented Discs
----------------	-------------------------------	-------------------



### Probably the best brake calipers for Mini

- Rigid design, eliminates flex for a firmer pedal feel
- Intelligent brake fluid crossover system
- CNC machined from aircraft grade billet aluminium
- Anodised for protection against corrosion
- Hand built and finished ensuring the best quality
- High temperature seals perfect for heavy usage



### Choose from 8 Anodised Colours



### Brake Pads for Alloy Calipers

Bespoke road and competition brake pads available for the 4 Pot Alloy Calipers, please see Page 38

## Alloy Caliper Brake Kits



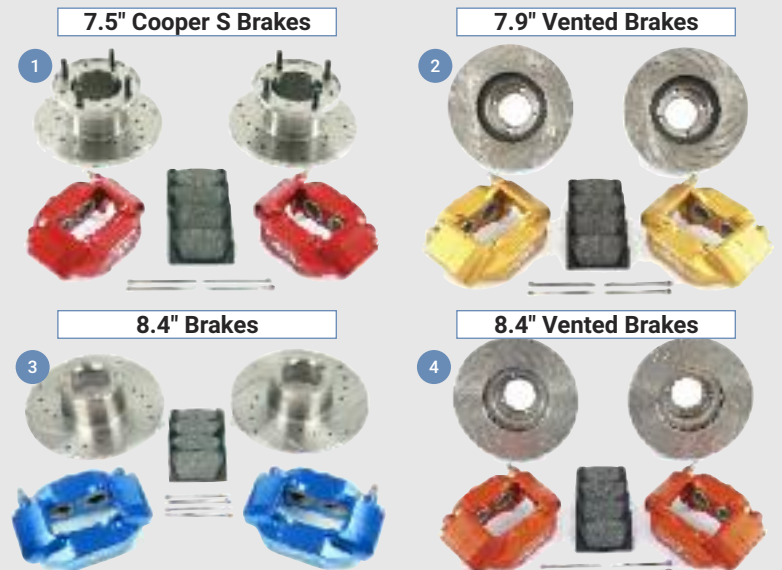
Gun Metal

Orange



Many of the worlds Mini race, rally and motorsport series have been won using Mini Sport components. At home on the open road or race track our 4 Pot Alloy brake calipers will give you the edge!  
Over engineered with a lightweight construction produces confident stopping performance everytime.

### Performance 4 Pot Alloy Caliper Brake Kits



Performance 4 Pot Alloy Caliper Kits, designed and developed to maximise braking performance and increase pedal feel over the standard brake system. Suitable for both road and competition. All kits include a choice of calipers, performance brake discs, brake pads, pad pins and all necessary fittings.

1	MSLMS03	7.5" Cooper S Kit	- Cross Drilled Discs
2	MSLMS01*	7.9" Vented Kit	- Curve Grooved Discs
3	MSLMS05*	8.4" Brake Kit	- Cross Drilled & Curve Grooved Discs
4	MSLMS04*	8.4" Vented Kit	- Curve Grooved Discs

\* All curve grooved discs are handed for performance and looks

Fully built disc drive assemblies available, please see Page 42





Brake System

Brake System

# COOPER GENUINE COOPER CLASSIC MINI PARTS



## Cooper 7.9" Vented 4 Pot Alloy Caliper Brake Kits



Perfect for road, rally and race use this 7.9" vented 4 pot caliper kit is designed to allow the fitment of vented discs under most 10" wheels and will fit with any 12" or 13" wheel.

MCPBRK.7.9V-B	7.9" Vented 4 Pot Alloy Caliper Brake Conversion Kit	- Black
MCPBRK.7.9V-S	7.9" Vented 4 Pot Alloy Caliper Brake Conversion Kit	- Silver
1 MCPBRKROAD.7.9V-B	7.9" Vented 4 pot Alloy Caliper Road Kit	- Black
2 MCPBRKROAD.7.9V-S	7.9" Vented 4 pot Alloy Caliper Road Kit	- Silver
MCPMS0509.KITB	7.9" Vented 4 pot Alloy Caliper and Pad Kit	- Black
MCPMS0509.KITS	7.9" Vented 4 pot Alloy Caliper and Pad Kit	- Silver

## Cooper 8.4" 4 Pot Alloy Caliper Brake Kits



Perfect for road, rally and race use this 8.4" 4 pot caliper kit is designed as a direct replacement for the standard 8.4" disc brakes and will fit with any 12" or 13" wheel.

MCPBRK.8.4S-B	8.4" 4 Pot Alloy Caliper Brake Conversion Kit	- Black
MCPBRK.8.4S-S	8.4" 4 Pot Alloy Caliper Brake Conversion Kit	- Silver
4 MCPBRKROAD.8.4S-B	8.4" Std 4 pot Alloy Caliper Road Kit	- Black
3 MCPBRKROAD.8.4S-S	8.4" Std 4 pot Alloy Caliper Road Kit	- Silver
MCPMS0509.KITB-8.4	8.4" Std 4 pot Alloy Caliper and Pad Kit	- Black
MCPMS0509.KITS-8.4	8.4" Std 4 pot Alloy Caliper and Pad Kit	- Silver

## Cooper 8.4" Vented Brake Kits - Red Calipers



The Cooper Car Company calipers are precision CNC manufactured in the UK from aircraft grade solid aluminium billets and is finished with a special high temperature coating in 'Brilliant Red' with a reflective Cooper logo on the front face. Hand built with anodised aluminium pistons, stainless steel bolts and high temperature piston seals, these calipers will give your Mini superb stopping power.

5 MCPBRK.8.4VENT	8.4" Vented 4 pot Alloy Caliper Brake Brake Kit	- Red
MCPBRKROAD.8.4V-R	8.4" Vented 4 pot Alloy Caliper Road Kit	- Red
MCPMS0509.KITR	8.4" Vented 4 pot Alloy Caliper & Pad Kit	- Red



## Mini Sport Performance Alloy Superfin Brake Drums

The Mini Sport Superfin Alloy brake drum, yet another superior quality product from Mini Sport Engineering and Development. A direct replacement to all '84on Mini rear drum brakes with no modifications required. This superior light weight alloy brake drum has been uniquely designed with 25% extra fins for better cooling efficiency, along with a built in spacer giving extra strength and rigidity, and still weighs 50% less than the original. Pressure die cast and inserted with a steel liner to ensure a constant high quality and reliable product.

Competition Proven with our own championship winning Mini's giving you confidence every time you brake!!

MSLMS0507 Superfins Pair



DESIGNED • TESTED & MANUFACTURED IN PADIHAM • UK

## Superfins with Brake Assemblies

MINI SPORT DESIGNED • TESTED & MANUFACTURED IN PADIHAM • UK



Rear Brakes only

Includes: 8 x 56mm wheel studs and brake drum screws

MSLMS0507KIT1	Kit with Standard brake shoes	Pair
MSLMS0507KIT2	Kit with Mintex brake shoes	Pair

## Alloy Billet Rear Hubs by Mini Sport

A perfect addition for the ultimate rear drum brake set up, the Mini Sport Alloy rear hubs, created for Race, Hill Climb and Sprint Cars where saving absolutely every gram of weight counts! A direct replacement to the original hub giving a massive saving of 512grms per side.



21A1277A	Alloy Rear Hubs with Studs & Covers	Pair
GHK1548	Rear Taper Roller Bearing Kit & Seals	
NL610041	Nut - Rear Hub RH Thread	
FNN2410	Nut - Rear Hub LH Thread	
BTA672	Washer - Hub Nut Rear	
21A1277ABUILT	Alloy Rear Hubs Fitted with Timken Wheel Bearings	
GFK103	Rear Hub Nut Split Pin	
GHS102	Rear Hub Seal	

DESIGNED • TESTED & MANUFACTURED IN PADIHAM • UK

## Mini Sport Performance 4 Pot Alloy Disc Drive Assemblies

Our Mini Sport performance disc drive assemblies are based on the 4 pot alloy caliper brake kits, using all the same parts but built into a complete front hub assembly. This not only makes fitting simple but you are safe in the knowledge that you have brand new components, giving a better service life and reliability.

Each assembly is professionally built in our workshops by one of our trained technicians, using only top quality, brand new parts:- Mini Sport performance 4 pot alloy calipers (choose your colour), performance brake discs, Mintex brake pads, swivel hubs, ball joints, steering arms, taper roller wheel bearings, CV joints and drive flanges.

MINI SPORT DESIGNED • TESTED & MANUFACTURED IN PADIHAM • UK

MS2688	7.5" Cooper S Assembly	- Cross Drilled Discs
MS2686*	7.9" Vented Assembly	- Curve Grooved Discs
MS2685*	8.4" Assembly	- X-drilled/Grooved
MS2689*	8.4" Vented Assembly	- Curve Grooved Discs



7.5" Cooper S

## KAD Rear Brake Disc Conversion



Combines the hydraulic operation of the foot brake with an effective mechanical handbrake allowing discs to be fitted to both road and competition Minis. The calipers are a single piston sliding type, fully dust sealed and machined from billet aluminium. The hubs carry a lightweight steel drilled disc are CNC machined from billet aluminium and accept standard taper wheel bearings. The kits are supplied complete with all of the parts to convert from drum to disc brake and use the standard handbrake cables. The kit will fit under 10" wheels and has been designed with both road and competition usage in mind.



Weighing in at 2.8kg it is substantially lighter than any alloy drum. Available in anodised Gold, Red or Blue.

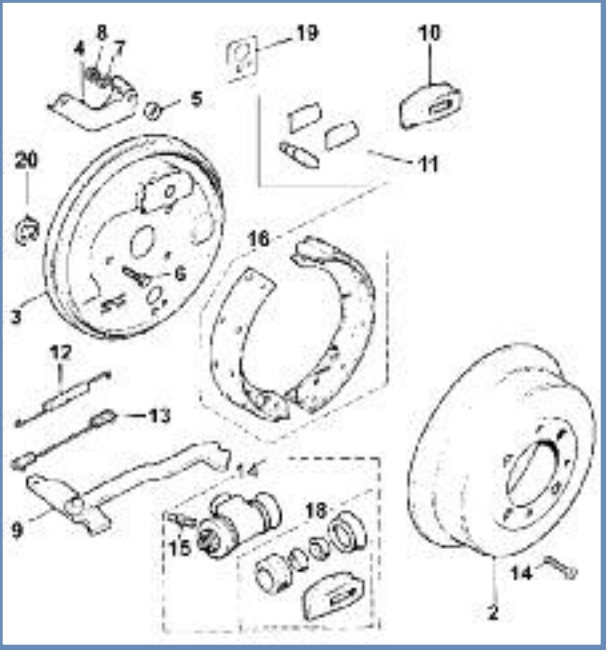
KAD1012070 Complete Kit as pictured





Brake System

Brake System



Backplates & Fittings



3	21A1058	Back Plate Rear	Right side
	21A1060	Back Plate Rear	Left side
4	21A1669	Handbrake Cable Bracket	Right side
4a	C-AHT212	ST Handbrake Cable Protection Bracket	Left side
	21A1670	Handbrake Cable Bracket	Left side
4b	C-AHT213	ST Handbrake Cable Protection Bracket	Right side
5	GFK1114	Spacer Washer - Packing	
6	GFK5185	Bolt 5/16" UNF - For Back Plate	
7	GFK1125	Spring Washer - For Back Plate Bolt	
8	GHF201	Nut 5/16" UNF - For Back Plate Bolt	
	SMBFK023	Rear Backplate to Radius Arm Stainless Fitting Kit	

Rear Drum Brakes - Parts & Fixings



9	SMN10005	Handbrake Lever Set	Pair
10	17H7612	Rubber Boot for Handbrake Lever	Each



11	17H7620	Rear Adjuster Screw & Wedge Kit	
12	17H7621	Rear - Upper Spring (Mid Spring)	Each
13	17H8092	Rear - Lower Spring (Spring Each End)	Each
13a	GBK1834	Rear Brake Shoe Return Spring Kit	Set of 4
14	CMZ407	Brake Drum Screw - Standard Drum Type	Each
14a	CMZ422	Brake Drum Screw - Spacer Type Drum,	Each
15	513118A	Rear Wheel Cylinder Bleed Screw	
	AEU1541A	Blanking Plug - Rear Back Plate	
	SMBFK024	Brake Drum Long Screws	Pair
	SMBFK025	Brake Drum Short Screws	Pair

Brake Shoes



16	GBS834AF	Standard Rear Brake Shoes	
	GBS834MIN	Mintex Standard Rear Brake Shoes	
	MLR5M20	Mintex Rally / Race Rear Brake Shoes	

Developed to the same high standards as Mintex pads, our brake shoes offer market-leading performance for rear-axle drum applications.

Drum Brakes - Complete Assemblies



Complete rear brake assembly, fully built and ready to fit. Comes with back plate, wheel cylinder, brake shoes, handbrake lever and rubber gaiter, adjusting screw with tappets and return springs.



1	MS2690	Rear - Built and Ready to Fit	Pair
	MS2690MIN	Rear - As Above with Mintex Shoes	Pair

Rear Brake Drums



2	GDB105	Brake Drum, Standard Type - Front or Rear	Each
	EBCDM019	EBC Brake Drum, Standard Type - Front or Rear	Each
2a	GDB106	Brake Drum, Spacer Type - '84 on Rear	Each
	MSLMS0507	Superfin Drum, Spacer Type - '84 on Rear	Pair
	MSLMS0507KIT	Superfins with Backplate Kit - '84 on Rear	Set

Rear Wheel Cylinders & Repair Kits



GWC1102	(19.0mm) - Cooper S/GT	Mk2 '67 on	
GWC1101	(15.9mm) - 850cc '59-'66 / 1275cc	'69-'74	
17	GWC1129	(17.5mm) - 1275GT '69 to '71 with 7.5" Discs	
17a	GWC1131	(14.3mm) - 850/998cc	'74 to '78
17b	GWC1126	(12.7mm) - 1275GT	'74 to '78
C1065	Cooper S/GT Rear Wheel Cylinder		

Wheel Cylinder Repair Kits



GRK2013	Suit GWC101	Each	
18	GRK2014	Suit GWC1102	Each
	GRK2003	Suit GWC1131/GWC1134	Each
18a	GRK2004	Suit GWC1129	Each
	BHM7015	Suit GWC1126	Each
	37H4642	Rear Wheel Cylinder Gasket	Each
	17H7949	Rear Wheel Cylinder Retaining Clip	Each
19			
20			

Handbrake Cables & Fittings

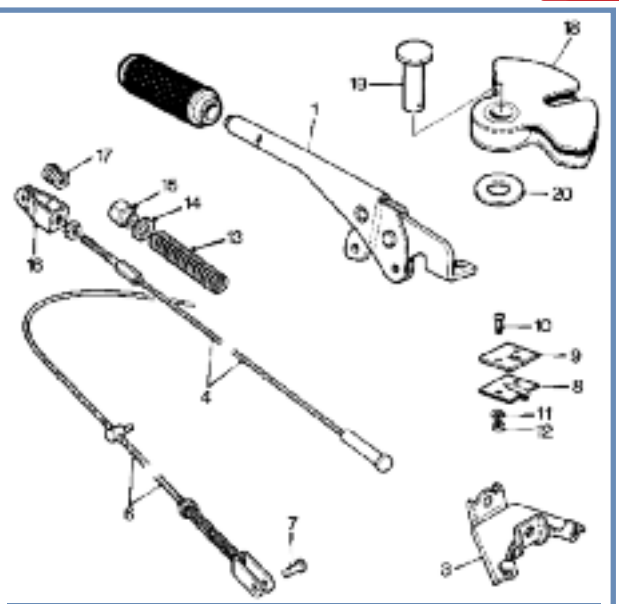


4	GVC2135	Cable - Mini '76 on	Front
4	FKB1174	Cable - '76 on Van/Estate/Pickup	Front
6	GVC1022	Cable - Mini pre '76 Saloon Dry Suspension	Twin cable
6	GVC1020	Cable - pre '76 Van/Estate/Pickup	Twin cable
6	GVC1021	Cable - Hydrolastic Models Only	Twin cable
6a	GVC1034	Cable - Mini '76 on (Drum to Drum)	Rear
13	ACH8508	Spring - Handbrake Adjusting	
14	PWZ204	Plain Washer - Handbrake Adjusting	
15	2A5858	Nut - Handbrake Adjusting	
16	FAM628	Cable Fork Bracket	
17	31G5049	Adjusting Nut - Front Cable to Cable Fork Bracket	

Handbrake Quadrants



18	21A2454	Handbrake Quadrant	Each
18a	21A1507	Handbrake Quadrant - Hydrolastic Type	Each
18b	KADFP011	KAD Alloy Handbrake Quadrants	Pair
19	CLZ549	Handbrake Quadrant Clevis Pin	Each
20	GFK1114	Washer - Quadrant Clevis Pin	



Handbrake Lever & Fittings



1	NAM6451	Handbrake Assembly - Green or Beige Handle	
3	FAM621	Cable Compensator Bracket	
7	CLZ409	Clevis Pin for Cable to Lever	Each
7a	PS104221	Split Pin - For Clevis Pins	
8	ACA5522	Handbrake (Fairlead) Cable Guide	Each
9	21A385	Handbrake (Fairlead) Cable Guide Seal	Each
10	SE910201	Screw 3/16" UNF - Handbrake Cable Guide	
11	WL700101	Spring Washer 3/16" - Handbrake Cable Guide	
12	GHF206	Nut - Handbrake Cable Screw	
	FAM8356	Handbrake Lever Rubber Grip 1976 on	
	13H5541	Twin Cable Handbrake Lever Rubber Grip to 1976	



Lightweight alloy handbrake quadrants, direct replacement for the originals.  
Choice of 5 Anodised Colours

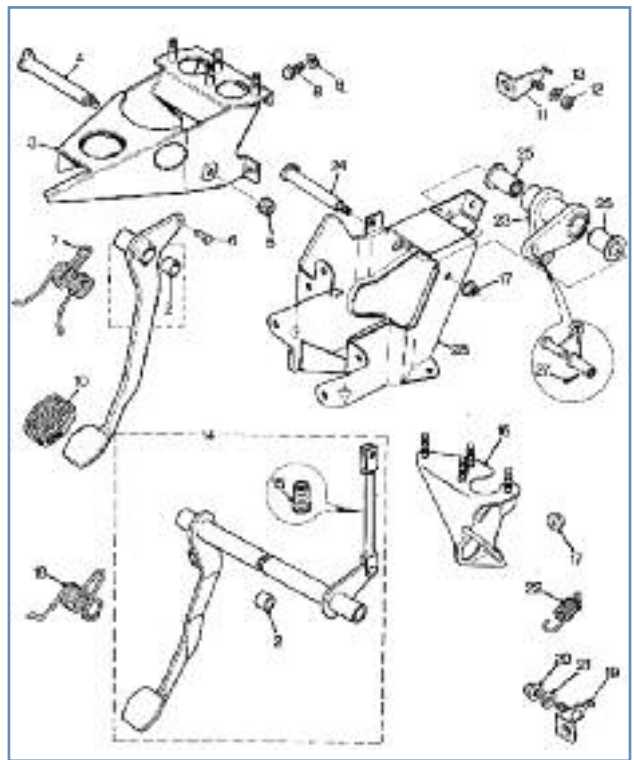


18	MSLQUAD	Mini Sport Alloy Handbrake Quadrants	Pair
----	---------	--------------------------------------	------





## Brake Pedals, Rubbers & Fittings



2	2A3034	Bronze Bush - Brake Pedal	RHD
	NAM8522	Plastic Bush - Brake Pedal	LHD
	NAM8514	Brake Pedal Tube Assembly	LHD '90on
3	SKU10043	Pedal Box Assembly	RHD '88 - '96

10			
10a			
10b			
3	SKU101220	Pedal Box Assembly	RHD '97 on
	SKU10042	Pedal Box Assembly	LHD '88 - '96
	SKU101210	Pedal Box Assembly	LHD '97 on
4	2A5880	Pivot Shaft Brake/Clutch Pedal	RHD
	NAM8524	Pivot Shaft Brake/Clutch Pedal	LHD
5	GFK3322	Nyloc Nut for 2A5580	
6	CLZ512	Clevis Pin - Pedal to Master Cylinder	
7	2A5652	Return Spring	'59-'88
	NAM8547	Return Spring	LHD '88on
8	SH605051	Set Screw - Bracket to Body	
9	GFK1125	Spring Washer - Screw Bracket to Body	
10	GPR107A	Brake/Clutch Pedal Rubber	'76 - '90
10a	GPR104A	Brake/Clutch Pedal Rubber	up to '76
10b	SZU1001	Brake/Clutch Pedal Rubber	'90 on
12	GHF212	Nut - Stoplight Bracket	
13	WC106041	Washer - Stoplight Bracket	
15	NAM8567	Rubber Boot - Servo Control Arm	
16	SKU10039	Pivot Bracket - Brake Pedal	LHD '89on
17	FN108041	Flanged Nut - M8	
18	NAM8544	Brake Pedal Return Spring	RHD '88on
20	CDU3989	Nut - Stoplight Bracket to Pedal Box	
21	GFK1125	Washer - Stoplight Bracket to Pedal Box	
	13H3735	Brake Light Switch	'76 on
22	NAM9198	Return Spring - Crank to Servo Bracket	
23	NAM8541	Brake Pedal Crank Assembly	'88 on
24	NAM8574	Pivot Shaft - Pedal Crank Assembly	
25	NAM8546	Plastic Insert for Crank Assembly	
26	NAM8540	Clevis Pin - Crank to Servo	
27	PS104221	Split Pin for NAM8540	
28	SKU10034	Bracket - Servo Mounting	

## Brake Servo, Brackets & Repair Kits



1	21A1293	Mk1 Cooper S Replica Servo Unit
2	GSM119	Servo Unit - '89 on
3	MS2679	Remote Servo Kit - Single Line



Remote brake servo kit - designed to fit a servo into the single line brake system on Mini. Includes all brackets and pipes required to fit both drum or disc brake models



Brake Servo repair kits - ideal for servicing or repairing old servo units. Comes with all parts required to restore to original condition.

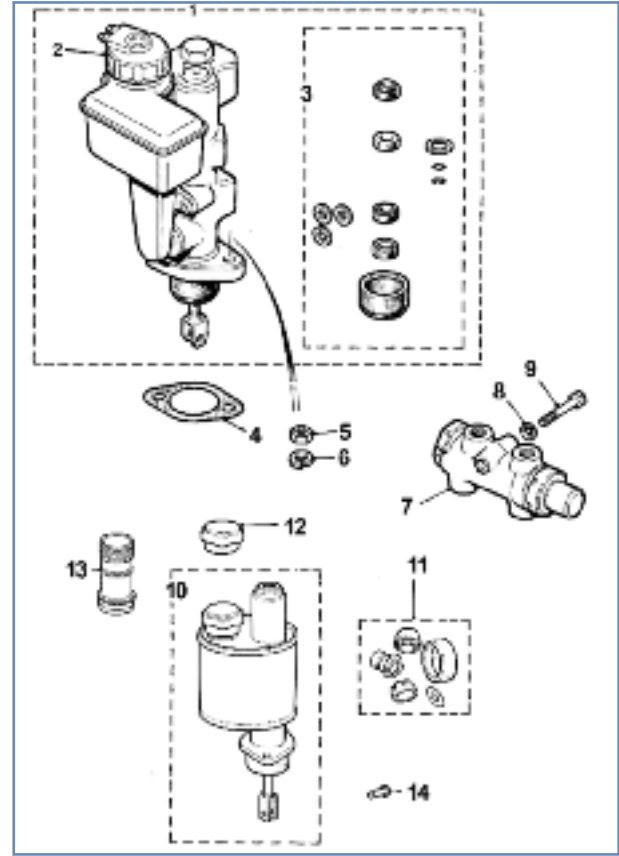
4	18G8938	Repair Kit - Mk3 Servo 13H7939
	GSM120	Repair Kit - '89on Servo GSM119



5	MCR90	Front Support Bracket - Mk1/2
6	MCR92	Rear Support Bracket - Mk1/2
7	MCR93	Rear Support Bracket - Mk3
8	MCR91	Front Support Bracket - Mk3

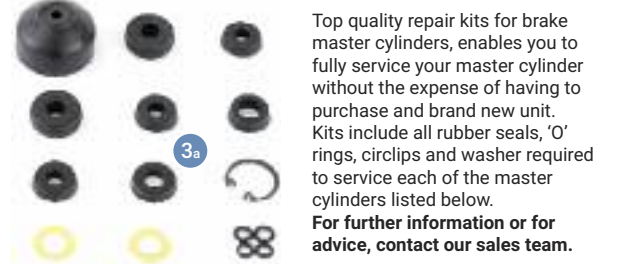
## Brake Servo Mounting Brackets

## Brake Master Cylinders & Fittings



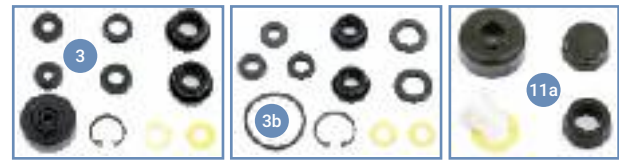
7	FAM7821	Limitor Valve, Bulkhead Fittment '78 on
9	BT604161	Bolt-valve to Dash Member
8	GFK1124	Washer-Spring-Bolt

## Master Cylinder Repair Kits



Top quality repair kits for brake master cylinders, enables you to fully service your master cylinder without the expense of having to purchase and brand new unit. Kits include all rubber seals, 'O' rings, circlips and washer required to service each of the master cylinders listed below. For further information or for advice, contact our sales team.

3	GRK1035	Seal Repair Kit	GMC227
3b	GRK1032	Seal Repair Kit	GMC90376
3a	GRK1002	Repair Kit	GMC167
3	GRK1016	Repair Kit	GMC195
3	GRK1019	Repair Kit	GMC159/160
11	BAU1247	Repair Kit (2 x Ring Seals)	GMC171/172
11a	GRK1028	Repair Kit (1 x Ring, 1 x Cup Seal)	Early GMC171/172



1	GMC227	Yellow Tag, '85 on (Front/Rear Split) Pre Servo
1a	BAU5654	Conversion Kit - To Fit a GMC227 Master Cylinder to all Pre '85 Mini with Front Rear Split Brake System. Original Master Cylinders are No Longer Available - GMC159 & GMC160
	BAU5654LHD	Master Cylinder - Green Tag, with Servo '89 on
1b	GMC90376	Master Cylinder - Square Reservoir for Split Diagonal
	GMC167	Cap includes Switch for GMC227 / GMC90376
2	GRK6009	Master Cylinder Gaskets (dual line)
4	31G840	Master Cylinder Gaskets (single line)
4a	31G279	Nut - Cylinder to Bracket
5	GHF201	Spring Washer - Cylinder to Bracket
6	GFK1125	Master Cylinder - Standard, Plastic Tank Type Pre '76
10	GMC171	Master Cylinder - Standard, Tin Tank Type Pre '76
10a	GMC171OE	Master Cylinder - Tin Tank Type Cooper S/GT
10b	GMC172OE	Master Cylinder - Tin Tank Type Cooper S/GT
12	513123A	Brake & Clutch Master Cylinder Cap for GMC171/172
	17H3723	Master Cylinder Metal Cap 1959-63
13	BHA4661	Reservoir Extension - White Plastic (Tin Tank Only)
14	CLZ512	Clevis Pin - Master Cylinder to Pedal
	14A6733	Master Cylinder Mounting Plate - Single Line Brakes
	ALA6505	Master Cylinder Mounting Plate
	CRC8664	Master Cylinder Mounting Plate 1989 on
	SMB62	Stainless Steel Master cylinder mounting plate - servo type
	SMB61	Stainless Steel Master cylinder mounting plate - early type
	SMB192	Stainless Steel Master cylinder mounting plate
	SMB06	Stainless Steel Blanking Plate
	SMB06/1	Stainless Steel Blanking Plate - 1 Hole
	SMB06/2	Stainless Steel Blanking Plate - 2 Hole
	SMB01	Stainless Steel Brake Reservoir Cover 1989 on
	SMB024	Stainless Steel Brake or Clutch Cap Cover
	SMB203	DOT 4 Fluid Label
	NAM8540	Clevis Pin - Pedal Push Rod to Servo 1989 on



Brake System

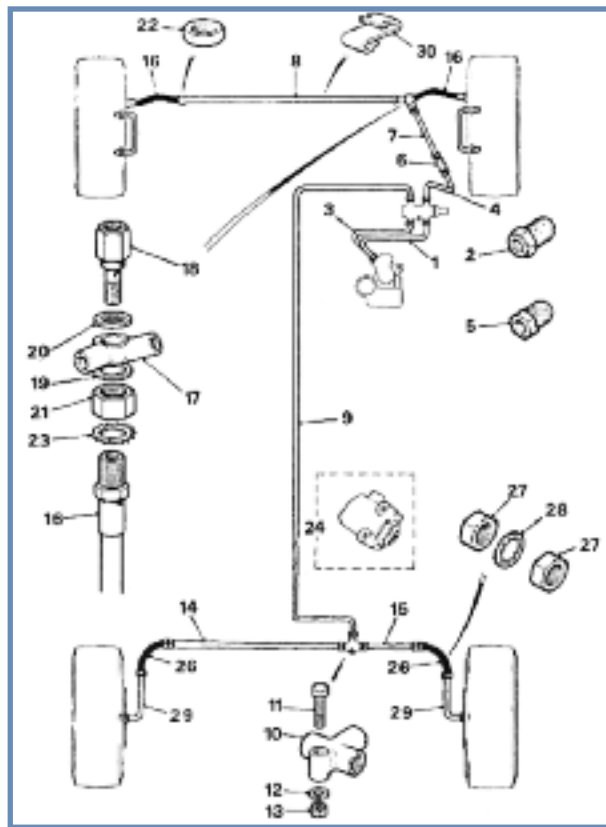
Brake System







## Brake Pipes for Front Rear Split Brake Systems



## Flexible Brake Hoses



16	GBH249	Standard Rubber Front - Disc Type	Each
	GBH249SS	Braided Front - Disc Type	Each
16a	GBH170	Standard Rubber Front - Drum Type	Each
	GBH170SS	Braided Front - Drum Type	Each
26	GBH250	Standard Rubber Rear - Drum Type	Each
	GBH250SS	Braided Rubber Rear - Drum Type	Each

## Brake Pressure Regulator Valves



25	FAM7821	Limiting Valve, Bulkhead Fitment	
	BT604161	Bolt - Valve to Dash Member	
	GFK1124	Spring Washer - Bolt	
	THIBV3	Wilwood Adjustable Bias Valve	



**Legend - 'M' = Male, 'F' = Female, (metric) both ends metric, (1x metric) one end metric e.g. 2 x M (1x metric) = 2 x male connectors, 1 is metric thread, 1 is imperial thread**

1	BP8M	220mm (8.5") M/cylinder to PR Valve 10mm	2 x M (Metric)
1	BP9M	229mm (9") Pre GMC227 to PR Valve 10mm	2 x M (Metric)
3	BP14M	356mm (14") GMC227 to PR Valve 10mm	2 x M (Metric)
3	BP22M	559mm (22") Master Cylinder to PR valve 10mm	
		Cooper SE, Cooper 1300cc and SPI	2 x M (Metric)
3	BP26M	660mm (26") Master Cylinder to PR Valve	2 x M (Metric)
4	BP7M	195mm (7.5") PR Valve to Tube Connector	2 x M (Metric)
6	BMK2466A	Connector Tube (metric)	
7	BP10M	260mm (10") Tube Connector to RH Front Hose	2 x M (1x Metric)
8	BP43	1093mm (43") LH to RH Front Hoses	2 x M
8	BP44	1118mm (44") RH Front Hose to LH Front Hose	2 x M
9	BP96M	2440mm (96") PR Valve to Rear 3 Way	2 x M (1x Metric)
9	BP102M	2590mm (102") PR Valve to Rear 3 Way	2 x M (1x Metric)



10	3H2424	3 Way Connector - Rear Subframe	Each
11	SH604091	Set Screw - 3 Way to Rear Subframe	1/4" UNF x 1 1/4"
12	GFK1124	Spring Washer	1/4"
13	GFK3211	Nut	1/4" UNF
	BP24	610mm (24") Rear Regulating Valve to LH Hose	1 x M, 1 x F
14	BP25	640mm (25") 3 Way LH rear Hose	1 x M, 1 x F
15	BP6	152mm (6") 3 Way to RH rear hose	1 x M, 1 x F
		152mm (6") Rear Regulating Valve to RH Hose	1 x M, 1 x F
16	GBH249	Rubber Hose Standard	Front disc type



16a	GBH170	Rubber Hose Standard	Front Drum Type
17	21A654	Banjo Connector - 2 Way	
18	7H7995	Banjo Bolt Connector for Stoptlight Switch (C16062)	
18	C5192A	Banjo Bolt (No Switch)	
18a	C16062	Brake Light Switch	Pre '76
19	233220A	Copper Washer - Front Hose to Banjo	
20	3H550	Copper Washer - Banjo to Banjo Bolt	
21	21A228	Lock Nut - RH Front Hose to Subframe	
22	2K8686	Lock Nut - LH Front Hose to Subframe	
23	WE600101	Lock Washer	
24	21A1774	Regulator Valve, all Mk1/2 to '69 inc Cooper S	
26	GBH250	Standard Rubber Hose Rear	Each
27	NT606041	Lock Nut - Rear Hose to Radius Arm	
28	GHF323	Lock Washer - Rear Hose to Radius Arm & Rear Subframe	
29	BP10	254mm (10") Rear Hose to Wheel Cylinder	1 x M, 1 x F
30	11K9181	Clip - Brake Pipe to Front Subframe	
	AAU7803A	Clip - Pipe to Master Cylinder	LHD '88on

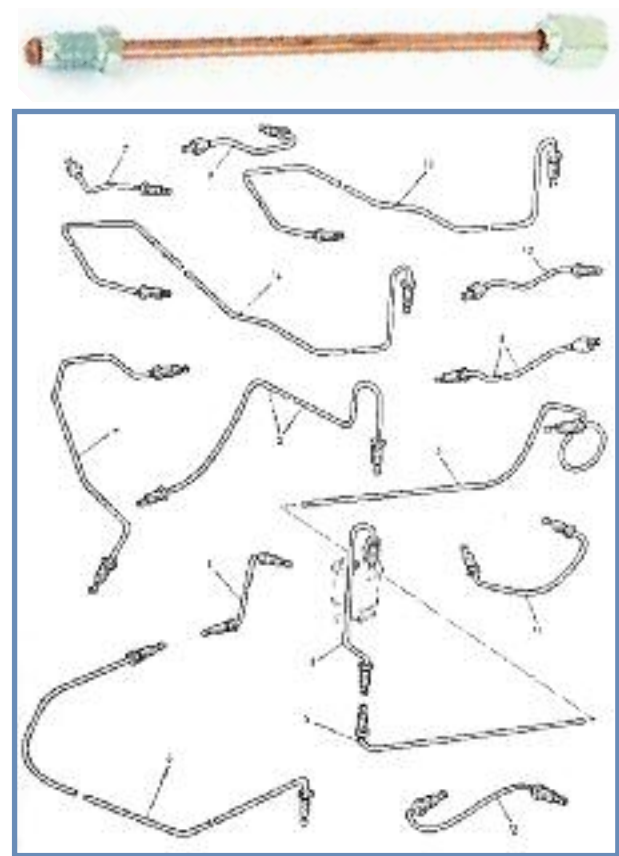


## Copper Brake Pipes

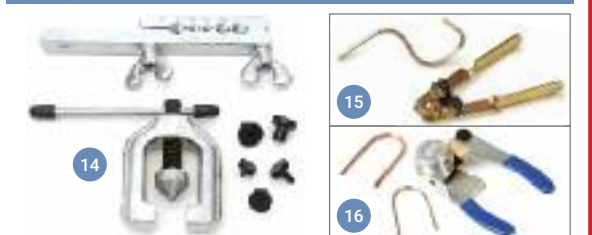
A range of top quality brake pipes made specially to length with the correct union ends for your application. Listed below are a range of popular fitments, if you require a specific brake pipe we can make to your exact specification, please call.

**NOTE** - pipes are not shaped, need to shape when fitting to your Mini.  
**Legend** - 'M' = Male, 'F' = Female, all pipes have imperial union fittings

1	BP10A	254mm (10") Master Cylinder to 3 Way	2 x M
2	BP30	762mm (30") Master Cylinder to 3 Way LHD	2 x M
	BP30	762mm (30") Master Cylinder to Servo 1275GT	2 x M
3	BP17	432mm (17") 3 Way to RH Front Brake Hose	2 x M
4	BP17	432mm (17") 3 Way to RH Front Brake Hose AUTO	2 x M
	BP19	483mm (19") 3 Way to Front Hose RH, Saloon	2 x M
5	BP101	2565mm (101") 3 Way to Rear Regulating Valve	2 x M
5	BP104	2642mm (104") 3 Way to Rear Reg. VAN	2 x M
	BP106	2695mm (106") 3 Way to Rear Reg. Inertia Van	2 x M
	BP109	2695mm (109") Warning Switch to Inertia Valve	2 x M
6	BP43	1090mm (43") RH Front Hose to LH Front Hose	2 x M
6	BP44	1118mm (44") RH Front Hose to LH Front Hose	2 x M
7	BP6	152mm (6") Rear Regulating Valve to RH Hose	1 x M, 1 x F
7	BP8	203mm (8") Inertia Valve to RH Rear Hose	1 x M, 1 x F
	BP8	Rear Hose to Rear Wheel Cylinder, Hyrolastic	1 x M, 1 x F
7	BP9	229mm (9") Inertia Valve to RH Rear Hose, Hydro	1 x M, 1 x F
8	BP24A	610mm (24") Servo to 3 Way Connector (Mk3 S)	2 x M
	BP24A	610mm (24") Rear Regulating Valve to LH Hose	2 x M
	BP26	660mm (26") Rear reg. Valve to LH Hose, Hydro	1 x M, 1 x F
	BP29	737mm (29") M/Cylinder to Warning Switch LHD	2 x M
9	BP10	254mm (10") Rear Hose to Wheel Cylinder	1 x M, 1 x F
10	BP12	305mm (12") Brake Pipe to Master Cylinder	2 x M
11	BP10A	254mm (10") Bridge Pipe Front Wheel Cylinders	2 x M
12	BP14	356mm (14") Master Cylinder to 3 way	2 x M
13	BP32	813mm (32") Master Cylinder to servo	2 x M
	BP33	839mm (33") Master Cylinder to 3 Way LHD	2 x M
	BP35	889mm (35") Inertia Valve to LH Rear Hose	1 x M, 1 x F
	BP37	940mm (37") Inertia Valve to LH Rear Hose Hydro	1 x M, 1 x F
	BP42	1067mm (42") Servo to RH Front Hose LHD	2 x M



## Build your own Brake Pipes



Draper flaring tool for copper & aluminium pipe, O/D 3/16, 1/4, 5/16, 3/8 & 1/2" O/D pipes. Includes pipe clamp, 45° spreader and five dies.

14	TOL37870	Draper 7 Piece Brake Pipe Flaring Tool Kit	
15	AUT160	Hand Held Pipe Bending Tool - Small Radius Bends - 3/16" (4.76mm) Pipe.	
16	AUT111	Pipe Bending Tool - o.d. 3/16 - 3/8" (4.76-10mm) Bends to Radius of 3/4" - 1 1/4" (1.9 - 3.2cm).	
17	TN60631	<b>Female</b> Steel Fittings 3/8 x 24 UNF 3/16"	<b>Each</b>
17	AUTF-3/8	<b>Female</b> Brass Fittings 3/8 x 24 UNF 3/16"	<b>x10</b>
	AUTF-M10	<b>Female</b> Brass Fittings M10 x 1mm 3/16"	<b>10</b>
	TM60631	<b>Male</b> Steel Fittings 3/8 x 24 UNF 3/16"	<b>Each</b>
18	AUTM-3/8	<b>Male</b> Brass Fittings 3/8 x 24 UNF 3/16"	<b>x10</b>
18	TM110051	<b>Male</b> Steel Fittings M10 x 1mm 3/16"	<b>Each</b>
	AUTM-M10	<b>Male</b> Brass Fittings M10 x 1mm 3/16"	<b>x10</b>
19	AUTHDCP316	Copper Brake Pipe - 3/16" 25m roll	



## Split Diagonal Brake Pipes

BP17	432mm (17") Tube Connector to LH Front Hose	2 x M
BP29	737mm (29") Warning Switch to Tube Connector	2 x M
BP30	762mm (30") Master Cylinder to Warning Switch	2 x M
BP96	2440mm (96") Warning Switch to RH Rear Hose	
	Saloon with Split Diagonal Brake System	1 x M, 1 x F
BP116	2695mm (116") Warning Switch to LH Rear Hose	
	Saloon with Split Diagonal Brake System	1 x M, 1 x F
BP101A	2565mm (101") Warning Switch to RH Rear Hose Van, Estate, Pick-up with Split Diagonal Brake System	1 x M, 1 x F
BP120	3048mm (120") Warning Switch to LH Rear Hose Van, Estate, Pick-up with Split Diagonal Brake System	1 x M, 1 x F

## Special Brake Tools



23	TOLSPAN07200	Brake Adjusting Spanner	
32	TOL11534	Brake Hose Clamp Tool	
36	G4062	Eezibleed - One Man Bleed - Brake/Clutch	
37	77003	Vacuum Pump for Bleeding & Vac Testing	



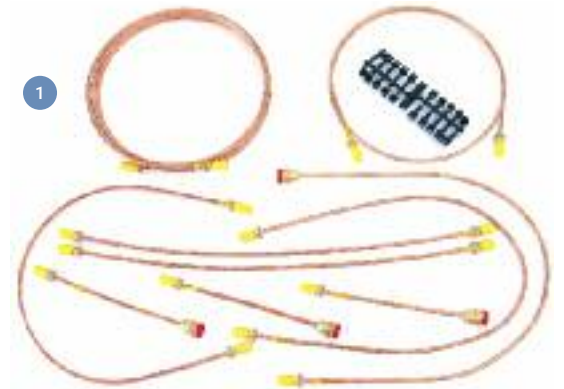


Automec Copper Brake Lines Sets

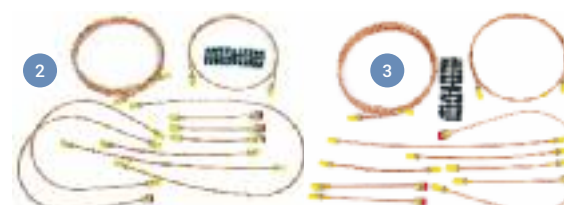


Each pipe is cut to the correct length, fitted with solid brass unions and marked clearly to indicate the correct location on the vehicle (location index included). Metric unions have a nick in the hex for identification. Pipe fitting clips and brass in-line connectors are supplied where appropriate. Each set is assembled with pride to fit your particular vehicle.

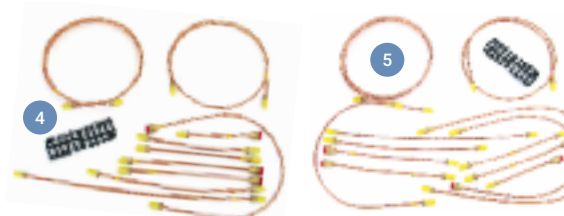
Keep everything as clean as possible. Do not overtighten the unions. Secure the pipes properly, to prevent vibration, using the clips supplied to supplement those you already have on the car. When you have fitted all the pipes, filled and bled the system, recheck each union and make sure you have a firm pedal before taking the vehicle onto the road. Automec pipes, when fitted properly, will probably outlast your car.



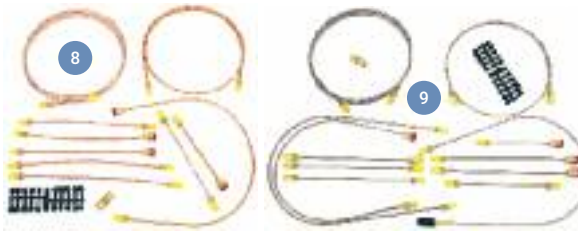
1	GB1017	Mini 1963-65 - RHD
	GL1017	Mini 1963-65 Cooper 'S' (Dry Suspension) - LHD
2	GB1018	Mini Cooper 'S' 1966 on
	GL1018	Mini Cooper 'S' 1966 on (No Servo) - LHD
3	GB5001	Mini to Aug 1969 (Hydrostatic Suspension, No Servo)
	GL5001	Mini to Aug '69 (Hydrostatic Susp. No Servo) - LHD



4	GB4991	Mini 1969 (Dry Cone Suspension/ No Servo)
	GL4991	Mini 1969 (Dry Cone Suspension/ No Servo) - LHD
	GB5002	Mini 1969 (Hydrostatic Suspension & Servo) - Pipe Set
	GL5002	Mini 1969 on (no servo) LHD
5	GB4992	Mini From Aug '69 on (Dry Suspension)
	GL4992	Mini From Aug '69 on (Dry Susp. with Servo) - LHD



6	GB5007	Mini 1970-75 Clubman Estate - RHD
	GL5007	Mini 1970-75 Clubman Estate - LHD
	GB5014	Mini 1976-79 (4 way Failure Switch)
	GL5014	Mini 1976-79 (4 way Failure Switch) - LHD
7	GB5021	Mini Saloon 77-82 (Metric Master Cylinder)
	GL5021	Mini Saloon 77-82 (Metric Master Cylinder) - LHD
	GB4989	Mini '78 Clubman Type
8	GB4997	Mini 1980 1275 GT (No Servo)



9	GB4999	Mini 1980-84 (Dual Metric Master Cylinder)
	GL4999	Mini 1980-84 (Dual Metric Master Cylinder) - LHD
	GB5008	Mini 1980 (Dual Imperial Master Cylinder)
	GL5008	Mini All to '80
	GB5126	Mini 1984-88
	GL5126	Mini 1984-88 - LHD
	GB5000	Mini 1989-2000 - RHD
	GL5000	Mini all 1989-2000 - LHD

Mini Commercial - Van & Pick-up

	GB4951	Mini to '69 Commercial (No Servo)
	GL4951	Mini to '69 Commercial (Dry Suspension)
	GB4952	Mini 1969-82 Commercial (Dry Suspension)
	GL4952	Mini 1969-82 Commercial (Dry Suspension)
	GB4953	Mini 1980-82 Commercial (front drums, no servo)
	GL4953	Mini 1980-82 Commercial (No Servo)
	GB4955	Mini to '69 Commercial (Dry Suspension)
	GL4955	Mini to '69 Commercial (Early Hydrostatic Suspension)
	GB4956	Mini to '69 Commercial (Hydrostatic Susp. No Servo)
	GL4956	Mini to '69 Commercial (Hydrostatic Suspension)
	GB4994	Mini to '80 Commercial (Imperial Master Cylinder)
	GL4994	Mini 1980 Commercial (Imperial Master Cylinder) - LHD
	GB4996	Mini 1977-82 Commercial (4 way Failure Switch)

Mini Moke

	GB4990	Mini 1964-68 Moke
	GL4990	Mini 1964-68 Moke - LHD
	GB4993	Mini Moke Metric (Dual Metric Master Cylinder)
	GL4993	Mini Moke Alternative Dual System - LHD

Pipe Bending Tools



10	AUT111	Hand Held or Vice Mount - O.D. 3/16 - 3/8" (4.76-10mm) to Radius of 3/4" - 1 1/4" (1.9 - 3.2cm).
11	AUT160	Hand Held - Small Radius Bends - 3/16" (4.76mm) Pipe.

Brake & Clutch Fluid



**Castrol React Performance DOT 4**  
For high performance vehicles and race conditions. Specifically designed to be a high temperature alternative to DOT 5.1 fluids.



**Castrol React SRF Racing**  
High performance brake fluid for vehicles under extreme or race conditions.

**Castrol Brake Fluid DOT 4**  
Brake fluid for all vehicles requiring a DOT 3 or DOT 4 specification.

CAS1773	Castrol Standard DOT 4	- 1 Litre
CAS1704	Castrol React Performance DOT 4	- 1 Litre
CAS1712	Castrol SRF Racing DOT 4	- 1 Litre



**Formula DOT 5.1** is AP Racing's high performance non silicone based brake and clutch fluid.



**Formula DOT 5.1** is recommended for use in the hydraulic brake and clutch systems of all cars, for which a non petroleum based fluid is specified. Suitable for high performance applications including vehicles fitted with ABS and ESP, is suitable for road and track day use.

CP4510	AP DOT 5.1 High Performance	- 500ml
--------	-----------------------------	---------



Automec's performance silicone Dot5 Brake Fluid has a high boiling point of 260°C which is maintained throughout the life of the product therefore ensuring consistent, safe performance. Also rust and corrosion are inhibited because moisture is repelled out of the system.



Thanks to this, Automec silicone brake fluid lasts the lifetime of your vehicle, never needing to be changed!

ABF003	Automec Silicone - DOT 5	- 500ml
ABF004	Automec Silicone - DOT 5	- 1 Litre



Extra high boiling point (above 310°C) brake fluid, for use in competition braking systems.



**Benefits**  
Enhanced high temperature performance over DOT 4 fluids. Racing Brake Fluid 300 Plus has a dry boiling point of above 310°C in comparison to the 230°C required for standard DOT 4 fluids. Capability to perform at the high braking temperatures found in arduous racing conditions. Robust against water absorption, improving resistance to vapour lock.

MILRACE	Millers Racing 300+ DOT 4	- 500ml
---------	---------------------------	---------



Goodridge Brakeline Kits

Improve the performance and feel of your brakes, fit Goodridge stainless steel braided brake lines.



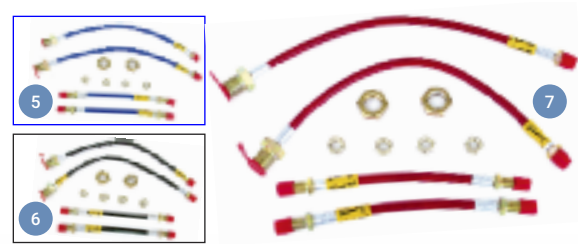
- Eliminates spongy feel
- Improved braking efficiency
- Abrasion and corrosion resistant

1	CK4M	Front and Rear Hose	Set (4)
2	CK2FSP	Front Hoses with Banjo Fitment	Pair
	CK2R	Rear Brake Hoses	Pair
3	CK2F	Front Hoses	Pair
4	CK2M	Metro '4 pot Caliper Conversion' Front Hoses	



Coloured Stainless Aeroquip

5	CK4MB	Blue - Front & Rear	Set of 4
6	CK4MBL	Black - Front & Rear	Set of 4
7	CK4MR	Red - Front & Rear	Set of 4





Engines & Components

Engines & Components

## Our Remanufacturing Process



**Powertrain Engineering Workshops**  
The in-house Cylinder Head & Engine modification department works on a philosophy of continual development, drawing on a 50 year heritage, providing Mini engines & components of the highest quality.

## Cleaning & Inspection of Parts

All major engine components that are to be used go through an intensive cleaning process, this includes chemical dip, high pressure spray wash system, abrasive cleaning and final rinsing to flush all debris. Each component is then meticulously inspected for wear, stress cracks and damage, and measured for size, ovality, taper and alignment. Any component not meeting specification or tolerances is discarded.

## Cylinder Block Remanufacturing

Bolt and stud threads are cleaned. Any damaged threads are replaced. The cylinder blocks are rebored and then honed to give the essential cross hatch micro finish. All gasket surfaces are machine refaced producing the correct surface finish and accurate deck height. New cam bearings, core plugs and oil gallery plugs are then fitted and the block is painted in the colour of your choice, (British Racing Green, Red, Black or Blue) using special high temperature engine paint.



## Crankshaft Remanufacturing

Crankshafts are crack tested, the journals are reground to the next undersize then micro-finished polished to exact tolerances. All surfaces are then re-measured and checked, oil galleries de-burred and thoroughly cleaned. Finally, each crankshaft is dynamically balanced to ensure smooth and efficient running.



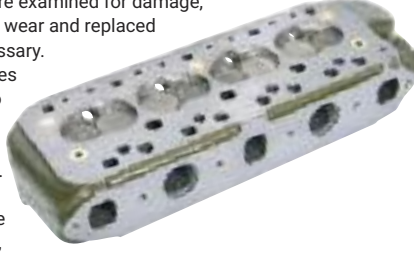
## Conrod Remanufacturing

All conrod bearing housings are measured for size, ovality and taper, any non-conforming items are discarded. Every conrod is checked for alignment, weight graded into engine sets, then finally balanced.



## Cylinder Head Remanufacturing

The cylinder heads are cleaned in an additional process to ensure all old carbon deposits are removed. All valve guides are renewed, valve seats are recut (replaced if required) to ensure correct seating and position. All valves are examined for damage, head thickness, stem wear and replaced or machined as necessary. Rocker and block faces are surface ground to the correct tolerance, ensuring a perfect seal with the gaskets. Painting process is then completed to the colour of your choice, (British Racing Green, Red, Black or Blue) using special high temperature engine paint. Finally, the cylinder head is assembled completely with valve springs, top caps, collets and valve stem oil seals, ready for fitment.



## Final Assembly

Once all the machining work has been completed and passed, the engine is then assembled by one of our skilled technicians, using all new pistons including rings, crankshaft bearings, thrust washers, timing chain and tensioner (where applicable), oil pump, rocker shaft, pressure release valve and spring, gaskets, oil seals and oil filter. All new components have been selected for their durability, reliability and are sourced extensively from the original OE manufacturers where ever possible. All O.E torque settings are adhered to during assembly.

## Remanufactured Engines & Gearboxes



When an engine has come to the end of it's life and is in need of remanufacturing, it is often the case that the gearbox is in a similar state. The engine and the gearbox in a Mini share the same oil, so it does not make sense to fit a quality remanufactured engine onto an old gearbox, as this will compromise the reliability and reduce the life expectancy of your engine.

In view of this, we have produced full units comprising of a Mini Sport remanufactured engine, a Mini Sport remanufactured gearbox fully built up with new clutch assembly. Produced to the same high standards, these units will guarantee you trouble free motoring, long into the future.

E/GMIN1000	998cc A Series	(8.3:1)
E/GMIN1000A	998cc A Plus	(10.3:1)
E/GMIN1000C	998cc Cooper	(Old Unit Required)
E/GMIN970S	970cc Cooper S	(Old Unit Required)
E/GMIN1100	1098cc A Series	(8.5:1)
E/GMIN1100A	1098cc A Plus	
E/GMIN1071S	1071cc Cooper S	(Old Unit Required)
E/GMIN1275	1275cc A Series	(8.8:1)
E/GMIN1275A	1275cc A Plus	(8.8:1)
E/GMIN1275AHC	1275cc A Plus	(10.1:1)
E/GMIN1275HC	1275cc A Series	(10.1:1)
E/GMIN1275S	1275cc Cooper S	(Old Unit Required)
E/GMIN1275INJ	1275cc Rover Cooper SPI	(10.3:1)
E/GMIN1275MP	1275cc Rover Cooper MPI	(10.3:1)

## Remanufactured Engines



**MINI SPORT** REMANUFACTURED & REBUILT IN PADIHAM · UK



## Remanufactured Cylinder Heads

Mini Sport Reconditioned Heads have been produced for many years to meet popular demand for a high quality, reasonably priced product.



**Unleaded**



**MINI SPORT** REMANUFACTURED & REBUILT IN PADIHAM · UK

HED850	850cc - with Bypass
HED998	998cc
HED998.BP	998cc - with Bypass
HED998.CPR	998cc Cooper - with Bypass (Own Unit Required)
HED1098	1098cc
HED1098.BP	1098cc - with Bypass
HED1275.BP	1275cc Carburettor - with Bypass
HED1275	1275cc Carburettor
HED1275SPI	1275cc SPI
HED1275MPI	1275cc MPI
SURHEAD5	Surcharge 850/998/1098
SURHEAD6	Surcharge 1275 (Refer to Modified Heads)

All remanufactured components are supplied on an exchange basis. A surcharge will be levied until serviceable old units are supplied. Depending on the availability of old core units, we may need your own units to work on.

## Engineering Services

Mini Sport Ltd is one of the world's premier suppliers of A series and A + remanufactured engines and components for Mini. With our advanced and efficient production process, backed by over 50 years of experience, Mini Sport can remanufacture your engine components to the highest quality at extremely competitive prices.



Our range of engineering services available for your own engine components, are as follows:-

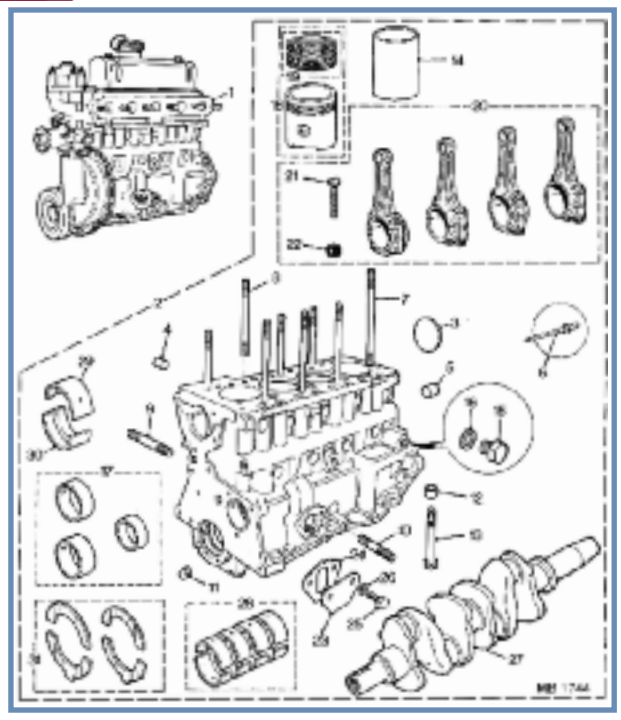
- Cylinder Block**
  - Reboring
  - Honing
  - Fitting new camshaft Bearings
  - Surface Grinding
- Cylinder Head**
  - Fit new valve guides
  - Re cut valves and seats
  - Fit valve seat insert
  - Surface Grinding
  - Pressure testing
- Crank Shafts**
  - Regrinding
  - Wedging
  - Heat treating
- Other Services**
  - Dynamic engine balancing
  - Flywheel lightening and refacing
  - Pressure plate refacing
  - Piston machining





Engines & Components

Engines & Components



Connecting Rods



20	12G4113R	1275cc A+ Reconditioned Con Rod	Each
	MSL-CR-1275-618	Steel Conrod Set - 1275 6" Length - 18mm Pin - 1.625" BE	
	MSL-CR-1275-ST	Steel Conrod Set - 1275 STD Length - STD Pin - 1.625" BE	
	MSL-CR-1275-ST18	Steel Conrod Set - 1275 STD Length - 18mm Pin - 1.625" BE	
	MSL-CR-1970	Steel Conrod Set - 970 S - 18mm Pin - 1.625" BE	
	MSL-CR-1998	Steel Conrod Set - 998cc	
21	LFH10006	Conrod Bolt - 1275cc	Each
21a	AEG519	Conrod Bolt - Cooper 'S'	Each
21b	12G2117	Conrod Bolt - 998cc	Each
22	CAM6263	Conrod Nut - 1275cc	Each
22a	AEG147	Conrod Nut - Cooper 'S'	Each



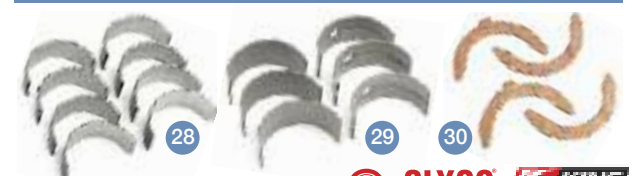
Engine Parts



3	AEC876	Core Plug - Single - 998/1098/1275cc A+
3b	CPS1	Core Plug - Set - 850/998/1098cc A Series
3a	CPS3	Core Plug - Set - Cooper 'S'
4	TAM2009	Oil Plug (was 2K1345)
5	12G3503	Oil Gallery Core Plug
7	CAM150	Long Head Stud
8	CAM151	Short Head Stud
8	TAM1617	Longer Short Head Stud For Coil Bracket
8a	AEG248	Head Bolt - Cooper S Engines
	51K1193	Cylinder Head Nut - Early
	CAM4545	Cylinder Head Nut - Late
	SMB27	Cylinder Head Nut Stainless Covers
	12H2178	Cylinder Head Washer
9	CHS2514	Stud - Oil Filter Head
10	CHS2515	Stud - Fuel Pump
11	1A1964	Oilfeed Restrictor
12	12G1268	Main Cap Dowel 1275cc
12	2A54	Main Cap Dowel 998cc
13	12G1398	Main Cap Bolt 1275cc
14	SU3598	1275cc Cylinder Liner
14	WCL13A	1275cc Cylinder Liner
15	53K2853	Drain Tap Plug
16	6K638B	Washer - Drain Tap Plug
17	CSB604	Camshaft Bearing Set - 998/1098
17	CSB609	Camshaft Bearing Set - 1275
	2A660	998cc Big End Bolt Lock Tab
23	2A265	Fuel Pump Blanking Plate
24	GUG705779GM	Fuel Pump Gasket
24	12G4520EVA	Fuel Pump Spacer Block & Gaskets
25	SH505061	Bolt for Blanking Plate
26	GFK1125	Spring Washer
	12A1386	Plain Tappet Chest Cover
	BH605101	Tappet Chest Cover Bolt
	12A1177	Cup Washer for Tappet Chest Cover Bolt
	12A1176	Seal for Tappet Chest Cover Bolt
	SMBFK036	Tappet Chest Cover Fitting Kit - Stainless Steel
	SMB48	Fuel Pump Blanking Plate - Stainless Steel
	SMBFK037	Fuel Pump Blanking Plate Fitting Kit - Stainless Steel



Crankshaft Bearings & Thrust Washers



Sizes available: (STD) (+.010) (+.020) (+.030)

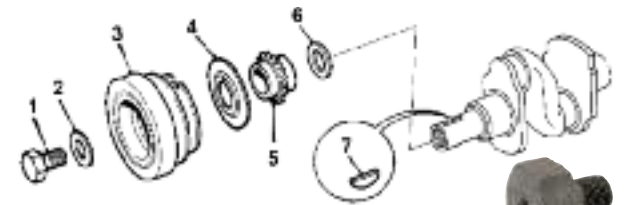
28	01-4331/4	1275GT/ 1275cc A+	Big End
28	01-4313/4	998cc/1098cc/Cooper 998cc/Cooper S	Big End
29	H1312/3	Cooper S/ 1275GT/ 1275cc	Mains
29	H1313/3	1275cc - 1985on	Mains
29	H1311/3	998/1098cc A+	Mains
29	H1310/3	998cc Pre 1984	Mains
31	A006/4 STD	Cooper S/ 1275cc	Thrust Washer
31	A005/4 STD	998cc/ 1098cc/ Cooper 998cc	Thrust Washer
	CB91306	1275GT/1275A+ Heavy duty	Big End
	CB572	998/1098/Cooper S Heavy duty	Big End
	CB733	998/1098 to 1984 Heavy Duty	Mains
	CB91885	998 /1098 1984 on Heavy Duty	Mains
	CB91120	1275 to 1984/Cooper S Heavy duty	Mains
	CB91886	1275 A+ 1984 on Heavy duty	Mains
	CW2122	998/1098	Thrust Washer
	CW2136	1275/Cooper S	Thrust Washer

Pistons and Sets



Engine Size	Piston Type	Size	Piston Each	Piston Set (4)	Piston Rings (per Piston)
998cc	Dished (circlip fit)	STD	87-522400-00	87-522400-00SET	08-522400-00
998cc	Dished (circlip fit)	+0.020"	87-522407-00	87-522407-00SET	08-522407-00
998cc	Dished (circlip fit)	+0.040"	87-522411-00	87-522411-00SET	08-522411-00
998cc	Dished (circlip fit)	+0.060"	87-522414-00	87-522414-00SET	08-522414-00
998cc	Flat Top (press fit)	+0.020"	87-524307-00	87-524307-00SET	08-524307-00
998cc	Flat Top (press fit)	+0.040"	87-524311-10	87-524311-10SET	08-524311-10
1098cc	Dished	+0.020"	87-522307-00	87-522307-00SET	08-522307-00
1098cc	Dished	+0.040"	87-522311-00	87-522311-00SET	08-522311-00
1098cc	Dished	+0.060"	87-522314-00	87-522314-00SET	08-522314-00
1275cc	High Compression	STD	87-524100-00	87-524100-00SET	08-524100-00
1275cc	High Compression	+0.020"	87-524107-00	87-524107-00SET	08-524107-00
1275cc	High Compression	+0.040"	87-524111-00	87-524111-00SET	08-524111-00
1275cc	High Compression	+0.060"	87-524114-00	87-524114-00SET	08-524114-00
1275cc	Standard Compression	+0.020"	87-521707-00	87-521707-00SET	08-521707-00
1275cc	Standard Compression	+0.040"	87-521711-00	87-521711-00SET	08-521711-00
1275cc	Standard Compression	+0.060"	87-521714-00	87-521714-00SET	08-521714-00
1275cc	Standard Compression	STD	87-521700-00	87-521700-00SET	08-521700-00
1380cc	Powermax Piston - 7cc Dish	73.5mm	87-526600-00	87-526600-00SET	08-526600-00

Crankshafts, Pulleys and Fittings



1	TAM2019	Bolt - Pulley A+
1	AEA312	Bolt - Pulley A Series
2	TAM2020	Lock Washer A+
2	12A398	Lock Washer A series
3	AHU1878	Crankshaft Damper Pulley
4	12A1148	Oil Thrower
5	8G725	Simplex Crankshaft Timing Gear
	AEA695	Duplex Crankshaft Timing Gear
6	6K628	Shim - Crankshaft Gear
7	6K836	Woodruff Key - Crankshaft Gear

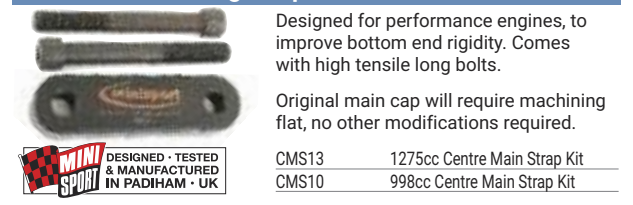


8	CAM6232	1275cc Crankshaft (NEW)
---	---------	-------------------------

**Reground Crankshafts** - Complete with Shell Bearings & Thrust Washers

CRKMS5200	850cc Crankshaft A series	(Exchange)
CRKMS5201	998cc Crankshaft A+	(Exchange)
CRKMS5202	998cc Crankshaft A series	(Exchange)
CRKMS5204	1098cc Crankshaft	(Exchange)
CRKMS5205	1275cc Crankshaft A+	(Exchange)
CRKMS5206	1275cc Crankshaft A series	(Exchange)
CRKMS5200T	850cc Crank A series Nitrocarburised	(Exchange)
CRKMS5201T	998cc Crankshaft A+ Nitrocarburised	(Exchange)
CRKMS5202T	998cc Crank A series Nitrocarburised	(Exchange)
CRKMS5204T	1098cc Crankshaft Nitrocarburised	(Exchange)
CRKMS5205T	1275cc Crankshaft A+ Nitrocarburised	(Exchange)
CRKMS5206T	1275cc Crank A series Nitrocarburised	(Exchange)

Centre Main Bearing Strap



Designed for performance engines, to improve bottom end rigidity. Comes with high tensile long bolts.

Original main cap will require machining flat, no other modifications required.

CMS13	1275cc Centre Main Strap Kit
CMS10	998cc Centre Main Strap Kit

**Special Machined Crankshafts** - Nitrocarburised

CRKMS5128	1275cc Wedged Crankshaft	(Exchange)
CRKMS5129	998cc Wedged Crankshaft	(Exchange)
W/SWED01	Crankshaft wedging	
SURCRK1	Surcharge - 850/998/1098cc Crankshaft Old Unit	
SURCRK2	Surcharge - 1275cc Crankshaft Old Unit	

**Steel Crankshafts**

MSL-CS-1813	1275 EN40B Steel Billet - 81.33mm Stroke
MSL-CS-1860	1275 EN40B Steel Billet - 86mm Stroke
MSL-MW-****	Multi Web Kit - 1293cc, 1310cc, 1330cc, 1380cc, 1460cc





Omega Die Cast Pistons - (Sets of 4)



ENGINEERED TO PERFORM

Since its conception in 1972, Omega Pistons have been at the forefront of all the premier motorsport categories. Omega are world leaders in forged performance pistons and are justifiably proud of their success in international motorsport.

Table listing Omega Die Cast Pistons with part numbers (e.g., OMC-1275-\*\*-10CC), specifications (e.g., Mini 1275 10cc Dish), and availability options.

Omega Forged Pistons - (Sets of 4)

Table listing Omega Forged Pistons with part numbers (e.g., OMF-1275-\*\*-6CC), specifications (e.g., Mini 1275 6cc Dish), and availability options.

County & Powertune Pistons (Sets of 4)

Table listing County & Powertune Pistons with part numbers (e.g., CP301K), specifications (e.g., Mini 850 5 Ring), and availability options.

Cylinder Head Gasket Sets

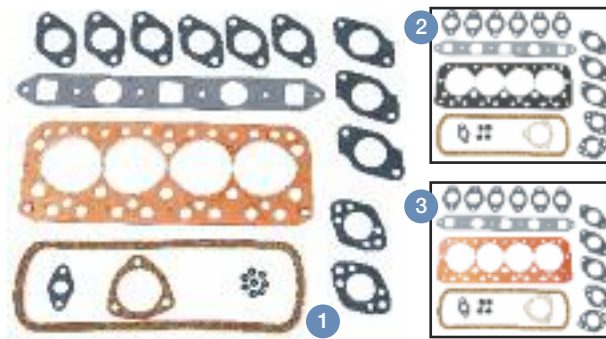


Table listing Cylinder Head Gasket Sets 1, 2, 3 with part numbers (e.g., GEG102) and specifications (e.g., 850cc/ 998cc/ 1098cc).

Cylinder Head Gaskets



Table listing Cylinder Head Gaskets 4, 5, 6, 7 with part numbers (e.g., GEG302) and specifications (e.g., 850cc/ 998cc/ 1098cc).

Gaskets for Cylinder Head Parts



Table listing Gaskets for Cylinder Head Parts 8, 9, 10 with part numbers (e.g., GEG401) and specifications (e.g., Rocker Cover Cork Gasket).



Table listing Gaskets for Cylinder Head Parts 11, 12, 13, 14 with part numbers (e.g., AJM601) and specifications (e.g., Manifold - Standard Gasket).



Engine Gasket Sets



Table listing Engine Gasket Sets 15 with part numbers (e.g., GEG206) and specifications (e.g., Engine Set - 1275).

Engine Gaskets



Table listing Engine Gaskets 16, 17, 18, 19 with part numbers (e.g., 88G215) and specifications (e.g., Water Pump Gasket).



Table listing Engine Gaskets 20, 21, 22, 23, 24 with part numbers (e.g., 12G2625) and specifications (e.g., Timing Cover Gasket).



Table listing Engine Gaskets 25, 26, 27, 28 with part numbers (e.g., 12A1139) and specifications (e.g., Tappet Chest Cover Gasket - Cork).



Gearbox Gasket Sets



Table listing Gearbox Gasket Sets 29 with part numbers (e.g., AJM804B) and specifications (e.g., Gearbox Set).

Gearbox Gaskets



Table listing Gearbox Gaskets 30, 31, 32 with part numbers (e.g., 22A542) and specifications (e.g., Oil Pick-up Pipe Gasket).

Oil Seals & 'O' Rings



Table listing Oil Seals & 'O' Rings 33, 34, 35, 36, 37, 38, 39, 40 with part numbers (e.g., AHU1959) and specifications (e.g., Oil Seal 1/2 Moon - Cylinder Block to Gearbox).

Copper Washers



Table listing Copper Washers 41, 42, 43, 44 with part numbers (e.g., 22A134) and specifications (e.g., Copper Washer - Sump Oil Drain Plug).





### Half Engine Kits

### Short Engine Kits

### Full Engine Kits

### Built Engines

Engines & Components

Engines & Components



**Kit includes:**

- Reground & Balanced Crankshaft
- Rebores & Fully Refinished Cylinder Block
- Balanced & Reconditioned Con-rods
- Balanced Pistons Fitted to Rods
- Shell Bearings




**Kit includes:**

- Kent Performance Camshaft
- Reground & Balanced Crankshaft
- Rebores & Fully Refinished Cylinder Block
- Balanced & Reconditioned Con-rods
- Balanced Pistons Fitted to Rods
- Shell Bearings
- High Quality Oil Pump
- Engine Gasket Set • Cam Followers
- Timing Chain




**Kit includes:**

- Mini Sport Performance Cylinder Head
- Kent Performance Camshaft
- Reground & Balanced Crankshaft
- Rebores & Fully Refinished Cylinder Block
- Balanced & Reconditioned Con-rods
- Balanced Pistons fitted to Rods
- Shell Bearings
- High Quality Oil Pump
- Complete Gasket Set • Cam Followers
- Timing Chain • Rocker Shaft



**Our Big Bore Engine Kits, comprise of the carefully selected components as illustrated. All components supplied ready for you to assemble yourself, or let our experts do it for you!**



**Expertly Built:**

- Mini Sport technicians with many years of experience, assemble the engines using all components in engine kits, plus some additional parts for the perfect finished product: Alloy Rocker Cover, Water Pump, Timing Cover and Oil Filter.



**All remanufactured components supplied on an exchange basis.** A surcharge will be levied until serviceable old units are supplied. Depending on the availability of old core units, we may need your own units to work on.



# All the **Power** you can handle!



## 1293cc Engine Specifications

The dynamic 1293cc Engines were originally developed in our own Mini's way back in the 1960's. As you would expect, we have continued to develop and improve these engines making them just as popular for today's exciting breed of Classic Mini's.

### Stage 2 Kit **From 91 BHP**

- Fully modified, gas flowed and polished Mini Road (Stage 2) specification cylinder head with 35/29 inlet/exhaust valves.
- Special tuning 948 performance camshaft.
- Reground & balanced Crankshaft.
- Fully reconditioned engine block.
- 9.5:1 Compression Ratio

### Stage 3 Kit **From 99 BHP**

- Fully modified, gas flowed and polished Mini Rally (Stage 3) specification cylinder head with 37/29 inlet/exhaust valves.
- Special tuning 544 performance camshaft.
- Reground, nitrocarburised & balanced Crankshaft.
- Fully reconditioned engine block.
- 10:1 Compression Ratio

### Stage 4 Kit **From 103 BHP**

- Fully modified, gas flowed and polished Grand Tourer (Stage 4) specification cylinder head with 35/30 inlet/exhaust valves.
- Kent 286 performance camshaft.
- Wedged, reground & nitrocarburised Crankshaft.
- Vernier timing gear set.
- Fully reconditioned engine block.
- 10:1 Compression Ratio

Power figures quoted are from carburettor models



## 1380cc Engine Specifications

The dynamic 1380cc Engines were originally developed in our own Mini's way back in the 1960's. As you would expect, we have continued to develop and improve these engines making them just as popular for today's exciting breed of Classic Mini's.

### Stage 2 Kit **From 104 BHP**

- Fully modified, gas flowed and polished Mini Road (Stage 2) specification cylinder head with 35/29 inlet/exhaust valves.
- Special tuning 544 performance camshaft.
- Reground & balanced Crankshaft.
- Fully reconditioned engine block.
- 10:1 Compression Ratio

### Stage 3 Kit **From 110 BHP**

- Fully modified, gas flowed and polished Mini Rally (Stage 3) specification cylinder head with 37/29 inlet/exhaust valves.
- Special tuning 544 performance camshaft.
- Reground, nitrocarburised & balanced Crankshaft.
- Fully reconditioned engine block.
- 10:1 Compression Ratio

### Stage 4 Kit **From 113 BHP**

- Fully modified, gas flowed and polished Grand Tourer (Stage 4) specification cylinder head with 35/30 inlet/exhaust valves.
- Kent 286 performance camshaft.
- Wedged, reground & nitrocarburised Crankshaft.
- Vernier timing gear set.
- Fully reconditioned engine block.
- 10:1 Compression Ratio

Power figures quoted are from carburettor models

### Carburettor Minis - 1293 Engine Kits

	Stage 2	Stage 3	Stage 4
Half Engine Kit	BBK1293S2HE	BBK1293S3HE	
Short Engine Kit	BBK1293S2SE	BBK1293S3SE	
Full Engine Kit	BBK1293S2EK	BBK1293S3EK	BBK1293S4EK
Built Engine	BBK1293S2E	BBK1293S3E	BBK1293S4E

### SPI Minis - 1293 Engine Kits

	Stage 2
Half Engine Kit	BBK1293S2HESPI
Short Engine Kit	BBK1293S2SESPI
Full Engine Kit	BBK1293S2EKSPI
Built Engine	BBK1293S2ESPI

### MPI Minis - 1293 Engine Kits

	Stage 2
Half Engine Kit	BBK1293S2HEMPI
Short Engine Kit	BBK1293S2SEMPI
Full Engine Kit	BBK1293S2EKMPI
Built Engine	BBK1293S2EMPI

### Carburettor Minis - 1380 Engine Kits

	Stage 2	Stage 3	Stage 4
Half Engine Kit	BBK1400S2HE	BBK1400S3HE	
Short Engine Kit	BBK1400S2SE	BBK1400S3SE	
Full Engine Kit	BBK1400S2EK	BBK1400S3EK	BBK1400S4EK
Built Engine	BBK1400S2E	BBK1400S3E	BBK1400S4E

### SPI Minis - 1380 Engine Kits

	Stage 2
Half Engine Kit	BBK1400S2HESPI
Short Engine Kit	BBK1400S2SESPI
Full Engine Kit	BBK1400S2EKSPI
Built Engine	BBK1400S2ESPI

### MPI Minis - 1380 Engine Kits

	Stage 2
Half Engine Kit	BBK1400S2HEMPI
Short Engine Kit	BBK1400S2SEMPI
Full Engine Kit	BBK1400S2EKMPI
Built Engine	BBK1400S2EMPI





# MILLERS OILS

## Classic Mini 20w50



**PREMIUM MINERAL** based engine oil specifically developed to incorporate EP levels of gear protection for use in combined engine and gearbox applications. Use in installations where the engine and gearbox share the same oil such as original Mini, and gearbox applications specifying an engine oil. The best possible oil for Mini owners!

Improved gear change quality. Longer gear, bearings, needle/roller bearings & idler gear life in transverse Mini engines.

MIL20/50 20w 50 Classic Oil 5 Litres

## Classic Sport 20w50

**SEMI SYNTHETIC** engine oil for classic performance and sports car engines. Extra high performance engine oil based on highest quality performance additives and shear stable viscosity improves in synthetic and mineral base.



Suitable for all discerning owners who want the best possible oil for their classic engine.

Maintains high oil pressures. Reduces oil consumption.

MIL20/50C 20w 50 Semi Synthetic Sport Oil 5 Litres

## Classic High Performance 20w50



A fully synthetic high performance, low friction engine oil intended for classic high performance vehicles, where this performance level is required on a regular basis. This grade forms part of the award-winning Millers Oils NANODRIVE Low Friction Technology range. Formulated to provide a very high level of protection for classic cars. Reduced friction leads to both power and torque gains, improved fuel economy and a reduction in wear and heat generation.

MIL20/50NT 20w 50 NT Full Synthetic Sport Oil 5 Litres

## Millers Additives



MILCVLTURBO	CVL Turbo - Octane Booster (500ml)	+ 4 RON
MILCVL	CVL Combustion Enhancer (250ml)	+ 2 RON
MILVSP	VSP Plus Lead Replacement & Octane Boost (250ml)	+ 1.5 RON
MILRAD	Extra Cool Corrosion Inhibitor & Coolant Enhancer (250ml)	
MILSTOPLEAK	Stop Leak - Add to oil to help minimise leaks (250ml)	
MILFLUSH	Engine Flush - Cleans engine before Adding new oil (250ml)	



## Castrol Classic XL 20W-50 Oil

For modern classic Minis

A conventional multigrade engine oil of good all round performance, formulated with high quality mineral oils plus selected additives, ideally suited to older technology and classic car engines.

Offers excellent oil consumption and a very high level of engine wear protection.

CAS1925	Castrol Oil - XL20w50	4.5Ltr
CAS1925/7176	Castrol Oil - XL20w50	1 Ltr

## Castrol R40 Racing Oil



Castrol R40 provides the ultimate in lubrication. If the best possible performance coupled with reliability is the aim then the remarkable stamina and great film strength of Castrol R40 will provide a valuable margin of safety at ultra high engine speeds and temperatures.

A castor based lubricant which is primarily designed for the racing world; however its unique properties can also benefit private owners interested in high performance.

Never mix Castrol R40 with mineral based or synthetic crankcase oils

CAS1948/5560 Castrol Oil - R40 (1Ltr)

## Castrol Oil Pouring Jugs



CASJ100	1/2 Pint (0.28ltrs) - Small
CASJ105	1 Pint (0.57ltrs) - Medium
CASJ110	1 Quart (1.14ltrs) - Large



## Castrol Specialist Greases



**CASTROL RED RUBBER GREASE:**  
A special, rubber compatible grease, useful in assembly of rubber components for brake, clutch and suspension units.



**CASTROL LM GREASE:**  
Lithium based, high melting point grease, specifically designed as a wheel bearing grease for use over a wide range of temperatures. Also suitable for general purpose applications.



**CASTROL MOLY GREASE:**  
High melting point, lithium based grease containing molybdenum, providing dry lubrication under extreme operating conditions. Ideally suited for the following applications; King pins and bushes, shackles and suspension trunnions, bevel worm and peg steering boxes.

CAS5900	Castrol Red Rubber Grease	500gm
CAS1604/7318	Castrol Multi Purpose High Temp Grease	400gm
CAS1645/7318	Castrol Moly Grease	400gm
CAS1610	Castrol Water Pump Grease	500gm
CAS9098/7318	Castrol Spherol SX2 Grease	400gm

## Castrol Valvemaster & Plus



Lead replacement fuel additive for use with lead-free fuel. Protects engine against valve seat recession under all driving conditions. Keeps fuel system clean and protects against corrosion.

Castrol Valvemaster Plus provides an octane boost to unleaded fuel, reducing pinking, knocking or the need to retune.

**One millilitre treats one litre of fuel.**

CAS1770	Castrol Valvemaster plus Octane Booster
CAS1768	Castrol Valvemaster Lead Additive

## Castrol Brake Fluids



**Castrol React Performance DOT4**  
For high performance vehicles and race conditions. Specifically designed to be a high temperature alternative to DOT 5.1 fluids.



**Castrol React SRF Racing**  
High performance brake fluid for vehicles under extreme or race conditions.

**Castrol Brake Fluid DOT4**  
Brake fluid for all vehicles requiring a DOT 3 or DOT 4 specification.

CAS1773	Castrol Standard DOT 4	1 Litre
CAS1704	Castrol React Performance DOT 4	1 Litre
CAS1712	Castrol SRF Racing DOT 4	1 Litre

## Castrol Merchandise



1	CASSTR655	Castrol Classic T-Shirt - 12-14yrs, S, M, L or XL
2	CASSTR659	Castrol Classic Baseball Cap
	CASSTR657	Castrol Cloth Badge
3	CASSTR650	Castrol Classic Umbrella



4	CASSTR720-GRP	Castrol Classic Mechanics Overalls - Available for chest sizes (36", 40", 42", 44", 46", 48", 56")
5	CASSTR650	Castrol Classic Key Fob
6	CASSTR592	Castrol Fridge Magnet
7	CASSTR589	Castrol Classic Cloth Tool Roll



8	CASSTR588	Castrol Classic Enamelled Tin Mug
9	CASSTR597	Castrol Windscreen Service Sticker
	CASSTR701	Castrol Classic A-Post Service Sticker

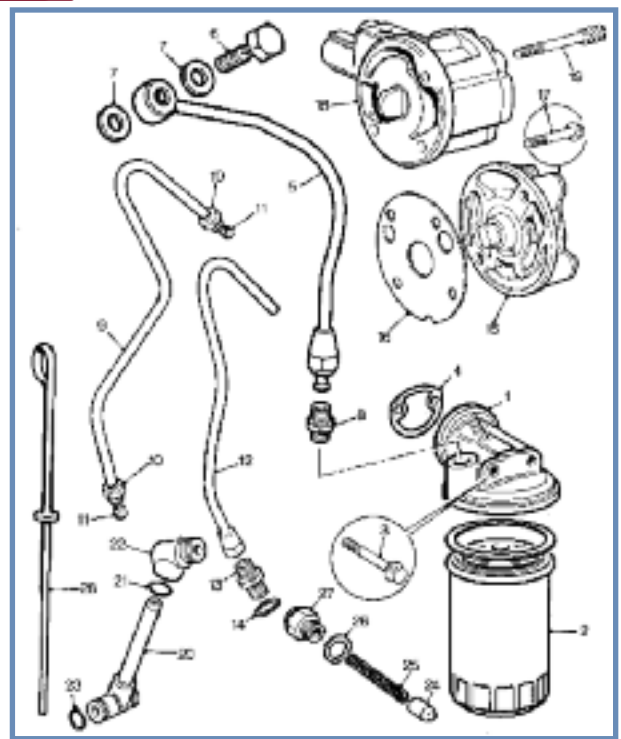


10	CASSTR591	Castrol Classic Enamel Sign
	CASSTR599	Castrol Bodywork Decal - Large
	CASSTR598	Castrol Bodywork Decal - Small
11	CASSTR596	Castrol Bodywork Sticker
12	CASSTR656	Castrol Posters Set of 4



13	CASJ120	Castrol Oil Can 200ml
	CASJ130	Castrol Oil Can 500ml
14	CASSTR586	Castrol Ceramic Mug
15	CASSTR587	Castrol Round Metal Sign





### Oil Pipes



5	TAM2106AERO	Pipe - Oil Filter to Crankcase Aeroquip	Pre '90
6	2A715	Screw - Banjo Union	
7	22A134	Copper Washer	
8	TAM2119	Connector- Oil Pipe	
8	TCZ106	Connector- Oil Pipe	
9	LQP10033AERO	Pipe - Oil Filter to Crankcase	'90 on
9a	CAM1018-6	Pipe - Early Filter Head on Late Block	
10	LYH10014	Tube Nut - Pipe	
11	LZB10017	Rubber Seal - Pipe	
12	LQP10038	Pipe - Oil Filter - Gearbox to Crankcase - Automatic	
13	DAM7601	Adaptor - Pipe to Gearbox	NLA
14	22A1563	'O' Ring - Automatic	
20	22A1185	Pipe-oil Outlet - Automatic	
21	22A1562	'O' Ring - Automatic	
22	22A1187	Block - Outlet Pipe - Automatic	NLA
23	22A1560	'O' Ring-internal - Automatic	NLA

### Oil Pressure Release Valve & Switch



24	12H865	Valve - Oil Release	
25	6K853	Spring - Oil Release Valve	
	12H865KIT	Oil Pressure release Valve	KIT
26	6K431B	Copper Washer - Release Valve	
27	12A1851	Release Valve Cap Nut	
	GPS133	Oil Pressure Switch	
29	GPS135	Oil Pressure Switch	MPI

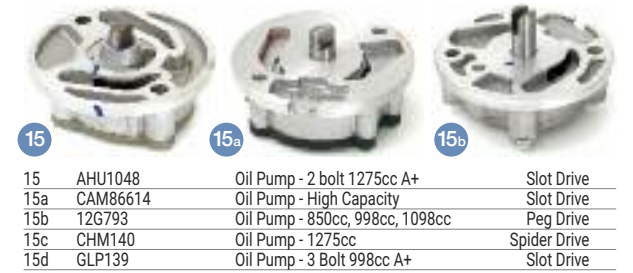
### Oil Filters



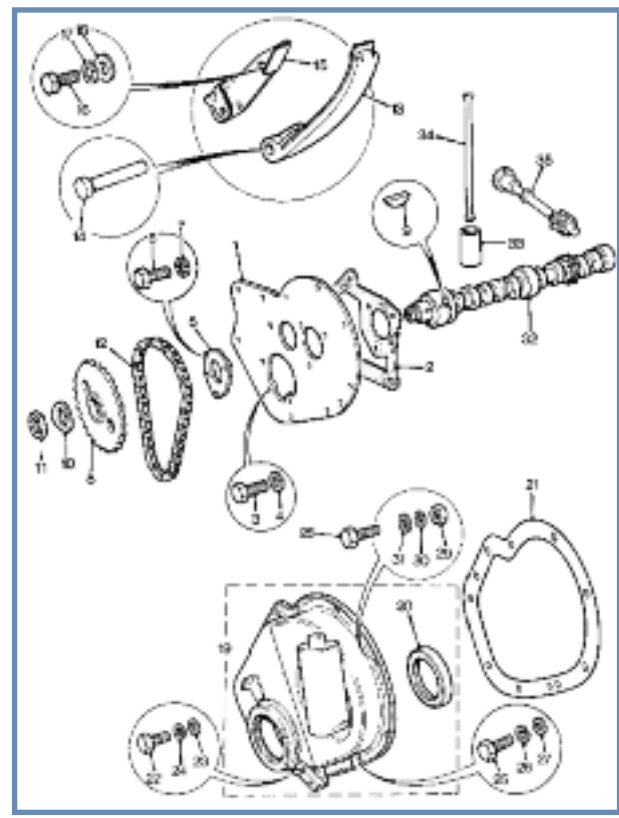
1	12A2032	Oil Filter Head - Spin on Type	
	KLMP4001	Oil Temp Sender Sandwich Plate Kit	
	SMBFK038	Oil Filter Housing Fitting Kit	
2	GFE443	Oil Filter - All Models including SPI	
2a	GFE103	Oil Filter - Mk1 - Paper Type	
	GFE104T	Oil Filter - Automatic to '96	
2b	CDU1268	Oil Filter - MPI/MPI Auto Only	
2c	2008	MPI oil Cooler Filter	
3	TAM1186	Flange Bolt - Filter Head to Crankcase	NLA
	CHS2513	Stud - Oil Filter Head	
	GFK3213	Nut - Filter Head	
	GFK1115	Washer - Filter Head	
	MSLMS0047	Spring Washer	
4a	88G402	Gasket - Oil Filter Head to Cylinder Block - Early	
4b	12A2035	Gasket - Oil Filter Head to Cylinder Block - Late	
28	LQM100380	Oil Dipstick	NLA
28	LQM100630	Oil Dipstick '97 on	'97 on
28a	MSLMS0539	Oil Dipstick CHROME - Blue, Red or Polished top	
	DAM7599	Oil Dipstick - Automatic	
	SMB105	Stainless Dipstick	
	PH33.060	Paddy Hopkirk Dipstick - Red	
29	PH33.060.BLK	Paddy Hopkirk Dipstick - Black	
30	MCPEN.DS-S	Cooper Dipstick	

### Oil Pumps

The oil pump is one of the most important components in any engine, whether a standard or a modified power unit. The top quality range of Mini Sport oil pumps, are manufactured to the highest specifications, ensuring enough oil is supplied, to satisfy the needs of all types of Mini engines.



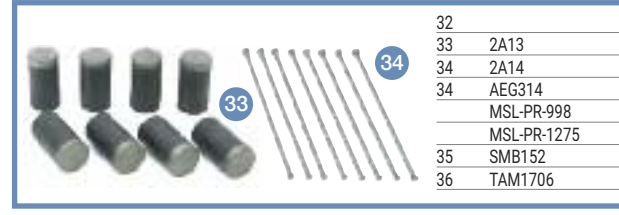
15	AHU1048	Oil Pump - 2 bolt 1275cc A+	Slot Drive
15a	CAM86614	Oil Pump - High Capacity	Slot Drive
15b	12G793	Oil Pump - 850cc, 998cc, 1098cc	Peg Drive
15c	CHM140	Oil Pump - 1275cc	Spider Drive
15d	GLP139	Oil Pump - 3 Bolt 998cc A+	Slot Drive
16	12G730B	Gasket - Oil Pump	
17	TAM1174	Flange Bolt - Pump to Crankcase 1/4" UNF x 1 1/2"	
17	BH604141	Bolt - Pump to Crankcase 1/4" UNF x 1 3/4"	
	GFK1124	Spring Washer	
18	GLP107	Oil Pump - Automatic	NLA
19	12A1254	Screw - Allen - Pump to Crankcase	



### Timing Cover



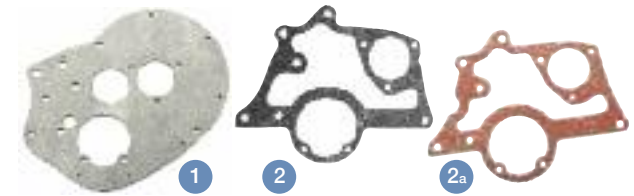
19	LJR10168	Timing Cover 1275cc - (With Oil Separator)	'90 on
20	88G561	Oil Seal - Timing Cover	
	LUF10006	Timing Cover Oil Seal - Viton	
21	12A956B	Timing Cover Gasket - 10 Bolt	A Series
21	12G2625	Timing Cover Gasket - 11 Bolt	A+
22	SH604031	Set Screw - Timing Cover to Plate	
23	WC106041	Washer	
24	GFK1124	Spring Washer	
25	GHF120	Set Screw - Timing Cover, Plate, Crankcase	
26	GFK1125	Spring Washer	
27	GFK1114	Washer	
28	GHF120	Set Screw - Timing Cover to Plate	
29	GHF201	Nut - Cover to Front Plate	
30	GFK1125	Spring Washer	
31	GFK1114	Washer	



32		Camshaft - <i>please see Kent Camshafts - Page 64</i>	
33	2A13	Cam Follower Set - Heavy Duty	Set 8
34	2A14	Steel Push rod - 850cc, 998cc, 1098cc	Each
34	AEG314	Steel Push Rod - 1275cc	Each
	MSL-PR-998	Steel Pushrod Set - 998/1098	
	MSL-PR-1275	Steel Pushrod Set - 1275	
35	SMB152	Distributor Clamp - Stainless	A+
36	TAM1706	Distrbutor Clamp Bolt	A+



### Camshaft Timing & Fixings



1	12G2626	Engine Front Bearer Plate	A +
2	12G619B	Gasket - Front Plate	A series
2a	GUG705554GM	Gasket - Front Plate	A +
3	53K2016	Set Screw - Front Plate to Bearing Cap	Simplex Gears
3	CMZ407	Set Screw - Front Plate to Bearing Cap	Duplex Gears
4	GHF321	Washer	



5	TAM2014	Camshaft Locating Plate	
6	GHF117	Set Screw - Front Plate to Crankcase	
7	GHF321	Shakeproof Washer	
8	12G4337	Simplex Camshaft Gear	
8a	12G1397	Duplex Camshaft Gear	



9	WKN505	Woodruff Key - Camshaft Gear	
	PIPMINKEY	Offset Woodruff Key available in 2, 4 & 6 Degrees	
10	2A759	Lock Washer - Camshaft	
11	6K629	Nut - Camshaft	
12	3H2127	Simplex Timing Chain	
12a	2H4905	Duplex Timing Chain	



13	12G26210E	Chain Tensioner Pad	
14	12G2629	Pivot Pin - Chain Tensioner	
15	12G2628	Mounting Plate - Chain Tensioner	
16	GHF120	Set Screw - Tensioner Bracket to Crankcase	
17	GFK1125	Spring Washer	
18	GFK1114	Washer	







# Timing Gear Sets, Camshafts & Engine Stud Kits

## Standard Timing Gear Sets



Steel Twin Row (Duplex) Timing Gear Set, convert from single row, to give more strength, especially for fast road performance engines.

C-AJJ3323S	Simplex Timing Gear Set
C-AJJ3323T	Duplex Timing Gear Set

## Lightened Duplex Gear Set



A lightened version of the Duplex timing set, designed especially for fast road and light competition. Reduces internal engine weight, therefore allowing the engine to rev faster.

C-AJJ3324	Lightened Duplex Timing Gear Set
-----------	----------------------------------

## Vernier Duplex Timing Gear Set



The ultimate timing gear set, giving the lightest possible solution with fine timing adjustment. Absolutely essential for perfect timing on all road, rally or race engines. This is the best available!

C-AJJ3327	Vernier Duplex Timing Gear Set
-----------	--------------------------------

**\*NOTE:** all sets can be used with original tensioner in A+ engines



## Kent Camshafts



**\* NOTE:** all Kent cams are new billet cams & suit slot drive oil pumps

KENMD256	Mild Road	Turbo
KENMD266	Sports	Fast Road
KENMD274	Sports	Fast Road Injection
KENMD276	Sports 'R'	Road or Rally
KENMD286	Super Sports	Rally
KENMD296	Race	
KENMD310	Full Race	
KENMD286SP	Scatter Cam Rally	
KENMD296SP	Scatter Cam Race	
KENMD310SP	Scatter Cam Full Race	
KEN500M	Mild road	
KEN948M	Fast road	
KEN731M	Fast road	
KEN544M	Road/Rally	

## Kent Camshaft Kits



KENMD256K	Mild Road/Turbo
KENMD266K	Sports - Fast Road
KENMD276K	Sports 'R' - Road or Rally
KENMD286K	Super Sports - Rally
KENMD296K	Race

## Kent Oil Pumps

KENOP1	Oil Pump Peg Drive
KENOP2	Oil Pump Spider Drive
KENOP3	Oil Pump, Slot Drive, 2 Bolt
KENOP13	Oil Pump, Slot Drive, 3 Bolt

## Kent Cams Vernier Duplex Timing Gear Set



A real must to get the best performance from your camshaft and engine. Useful for all applications but especially for serious competition use where it is essential to get every BHP out of your engine.

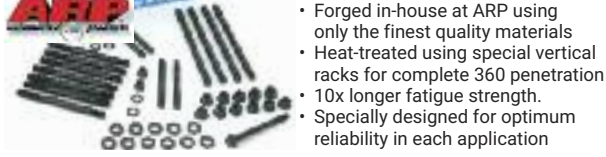
KENS12	Kent Vernier Timing Gear Set
KENS26	Kent Timing Disc

## Kent Components



1	KENCL	Cam Lube	
2	KENST33	Valve Spring Retainer Set	Steel
3	KENCF95	Cam Follower Set	Light weight
	KENVS1	Valve Spring Set	Double
4	KENVS2	Valve Spring Set	Double
	KENVS39	Valve Spring Set, Competition	Double
	KENVS49	Valve Spring Set	Single
	KENVR1	Valve Spring Retainer Set	Alloy
	KENVR9	Spring Retainer Set	Alloy-VS39
	KENVRT06	Spring Retainer Set	Titanium

## ARP Bolt Kits



- Forged in-house at ARP using only the finest quality materials
- Heat-treated using special vertical racks for complete 360 penetration
- 10x longer fatigue strength.
- Specially designed for optimum reliability in each application

## Cylinder Head Stud Kits

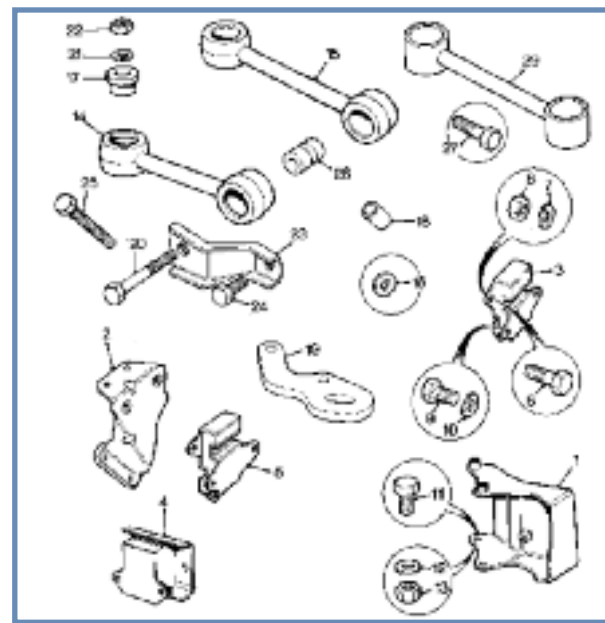
KENHSA11	11 Studs plus Rocker Studs
KENHSA11-B	10 Studs, 1 Bolt & Rocker Studs
KENHSA9	9 Studs plus Rocker Studs

## Main Cap Stud Kits

KENMSA33	Main Studs Cooper S
KENMSA54	Main Studs 1275cc

## Con Rod Bolt Kits

KENARPBEB08/8	850cc/1098cc - 3/8"
KENARPBEB1/8	1275cc - 11/32"
KENARPBEB6001/8	Cooper S



## Engine Mountings & Steadies

1	12A361	Engine Mounting Bracket - Manual
2	22A1274	Engine Mounting Bracket - NLA
3	21A1902	Engine Mounting - Manual
4	22A917	Engine Mounting - RH Automatic
5	22A1018	Engine Mounting - LH Automatic
6	SH605051	Bolt - Engine Mounting
7	GFK1125	Spring Washer - Engine Mounting
8	GHF201	Nut - Engine Mounting
9	SH605061	Set Screw - Engine Mounting
10	GFK1125	Spring Washer - Engine Mounting
11	GHF120	Bolt - Engine Mounting
12	GHF1125	Spring Washer - Engine Mounting
13	GHF201	Nut - Engine Mounting
14	21A1109	Engine Steady Rod 998cc, 1275cc to '90
15	SMB18	Engine Steady Rod - Stainless Steel 1275cc '90 on
	SMB19	Engine Steady Rod - Stainless Steel - 998
16	GFK1115	Flat Washer - 3/8"
17	KKF100390	Rubber Bush - Engine or Gearbox Steady
18	31G1085	Distance Tube - Bearbox Steady Bush
19	KKU10080	Mounting Bracket - Gearbox Steady
	SMB110	Gearbox Steady Bracket - Stainless
	21A2763	Mounting Bracket - RH - Gearbox Steady
	21A2785	Mounting Bracket - LH - Gearbox Steady
20	MSLMS0030	Bolt - engine steady - Cylinder Block End
21	MSLMS0047	Spring Washer - 3/8"
21	GFK1125	Spring Washer
22	GFK3322	Nyloc Nut
22	GFK3213	Nut - Gearbox Steady - 3/8" UNF
23	21A2387	Bracket-steady Rod Retaining
24	GFK5184	Bolt - Engine Steady Bracket
	SMB146	Engine Steady Bracket - Stainless
	SMB162	Engine Steady Bracket Spacer
25	MSLMS0030	Bolt - Engine Steady - Bulkhead End
26	21A1108	Distance Tube - Engine Steady Bush
27	BH606181	Bolt - Gearbox Steady to Subframe
29	FAM2758	Gearbox Steady Rod - Lower RH Front Manual
29	KKH10013	Gearbox Steady Rod - Lower RH Front Injection
	SMB20	Gearbox Steady Rod Stainless Steel - 1275/Inj
	SMB21	Gearbox Steady Rod Stainless Steel - 998

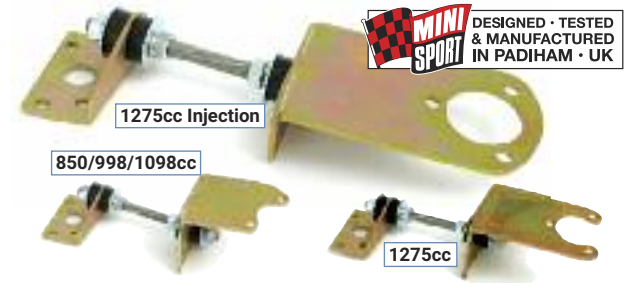
## Engine Steady Repair Brackets

Kits to allow the repair of engine steady bracket if you break bolts in the cylinder block when removing. Includes all brackets and fixings required.

	BJEA	998cc with 1 x Broken Bolt
	BJEB	1275cc with 1 x Broken Bolt
	BJEC	998cc with 2 x Broken Bolt
	BJED	1275cc with 2 x Broken Bolt

# Engine Mountings, Steadies & Bushes

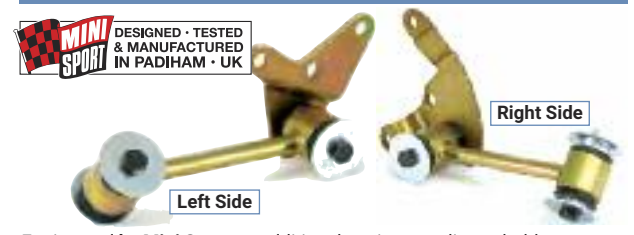
## Ultimate Top Engine Steadies



Engineered by Mini Sport to hold the top of your engine steady under heavy accelerating or braking, preventing damage to engine mountings, exhausts, manifolds and hangers. Manufactured from heavy duty materials and electro plated to prevent corrosion.

EL57	850/ 998cc Top Engine Steady Kit
EL58	1275cc Top Engine Steady Kit
EL59	1275cc Injection Top Engine Steady Kit

## Gearbox Steadies



Engineered by Mini Sport as additional engine steadies to hold your engine more firmly. Rear mounting for either the left or right side of your Mini allowing almost a solid mounting effect of your engine.

MSK014	Right Side Gearbox Steady	All Models
MSK015	Left Side Gearbox Steady	All Models

## Engine Mountings



3	21A1902	Standard Mounting	Each
3a	SPD0012	Easy Fit Mounting	Each
3b	C-19G3256	Solid Type Mounting	Each
3c	SPDSP680FR	Quick Release Polyurethane Mounting	Each
	MSK016	Automatic to Manual Engine Mount Conversion Kit.	
	SMBFK015	Engine Mounts to Subframe Stainless Fitting Kit	
	SMBFK048	Nearside Engine Mount Stainless Fitting Kit	
	SMBFK021	Nearside Engine Mount to Bracket Stainless Fitting Kit	
	SMBFK022	Offside Engine Mount to Clutch Housing Stainless Fitting Kit	

## Engine Steady Bushes - Replacement

17	SB161	Standard Rubber Steady Bushes	Each End
17a	SB161C	Competition Rubber Steady Bushes	Each End
17b	SPDSP651	Polyurethane Steady Bushes	Pair
17c	SB161S	Solid Nylon Steady Bushes	Pair

Engines & Components

Engines & Components





Special Tools



DIY Project IDEAS

1	TOL2481	Feeler Gauge Set (THOU)	
2	TOL37871	Oil Filter Removal Tool	Draper
3	TOL47807	Grease Gun	Draper
4	TOL13916	Hub Puller	Draper
5	TOL13913	Ball Joint Separator Puller	Draper
	TOL660310SP	Ball Joint Separator - Puller	Sykes Pickavant
6	TOL13914	Ball Joint Separator - Scissor	Draper
	TOL660550SP	Ball Joint Separator - Scissor	Sykes Pickavant
7	TOL660490SP	Ball Joint Splitter - Fork	Sykes Pickavant
8	TOL660210SP	Valve Spring Compressor tool	Sykes Pickavant
9	TOL37442	Compression Tester	Draper
10	TOL55641	Stud Extractor Set	Draper
11	TOL07001	Flywheel Puller - Heavy Duty	Mini Sport
	TOL07004MET	Suspension Tool - Metric Thread	Mini Sport
12	TOL07004UNF	Suspension Tool - UNF Thread	Mini Sport
	TOL660330SP	Suspension Tool - Metric thread	Sykes Pickavant
	TOL660370SP	Piston Ring Clamp 45-75mm	Sykes Pickavant
	TOL660650SP	Brake Hose Clamp	Sykes Pickavant
13	TOLSCREEN	Windscreen Infill Strip Tool	Mini Sport

Special Sockets

14	TOL11863	Sump Plug Socket 15/16"
15	TOL11866	1st Motion Nut Socket 1 1/8"
16	TOL11867	Verto Clutch Bolt Socket 3/16"
17	TOL24898	Cam/Front Pulley/Steering Wheel Socket
18	TOL21S165	Ball Joint/Flywheel Bolt Socket 1 1/2" AF
19	TOL55540	Oxygen Sensor Socket



V-Coil Helicoil Kits & Taps

	TOL1REC2515	Recoil Kit - Sump Plug	5/8" UNC
	TOL1REC2509	Recoil Kit	1/4" UNC
	TOL1REC3506	Recoil Kit	1/4" UNF
	TOL1REC2511	Recoil Kit	3/8" UNC
	TOL1REC2510	Recoil Kit	5/16" UNC
20	TOL1REC3507	Recoil Kit	5/16" UNF
21	TOLITD6049	Crankshaft Tap	



Workshop Tools

22	TOL30357	Torque Wrench	Draper
23	TOL75111	Battery Pack	Draper
24	TOL66799	Battery Charger	Draper
25	TOLSPAN07200	Brake Adjusting Spanner	Draper
26	TOL11534	Brake Hose Clamp	Draper
27	TOL52616	Timing Light	Draper
28	TOL36583	Circuit Tester 12v	Draper
29	TOL51844	Piston Ring Compressor 45-75mm	Draper
30	TOL69923	Tyre Pressure Gauge	Draper
31	TOL37870	Brake 7-piece Pipe Flaring Tool	Draper
32	TOL001071	Engine Lifting Tool	Mini Sport
	SMB113	Engine Lift Brackets	
33	TOL660904SP	Valve Grinder - 19mm End	Sykes Pickavant
34	TOL660905SP	Valve Grinder - 19/22mm End	Sykes Pickavant
35	TOL33606	Brake Caliper 8-piece Windback Tool	Draper
	TOL18G1127	3rd Motion Bearing Removal Tool	
	TOL6228	Digital Multimeter	
	TOLAK624	Micrometer Torque Wrench - 1/2" Drive	Sealey
	TOLLED3601	Rechargeable Inspection Lamp - Black, Green or Red	Sealey
	TOLTSYNCHRO	Gearbox Synchro Hub Ball and Spring Fitting Tool	

DIY Project IDEAS



Gunson Tools

1	G4095	Eezi-lap - Oscilating Valve Lapper
2	G4008	Trakrite - Wheel Alignment Tester
3	G77042	Multi Purpose Cap for Eezibleed
	G4062	Eezibleed - One Man Bleed - Brake/Clutch
	G4103	Compression Tester
	G4094	Tappet Klikadjust
	G4074	Colourtune Kit - Test Fuel/Air Mixture
	G4053	Carbalancer - Balances Mixture in Twin Carbs
4	G77003	Vacuum Pump for Bleeding & Vac Testing



Tools

Tools





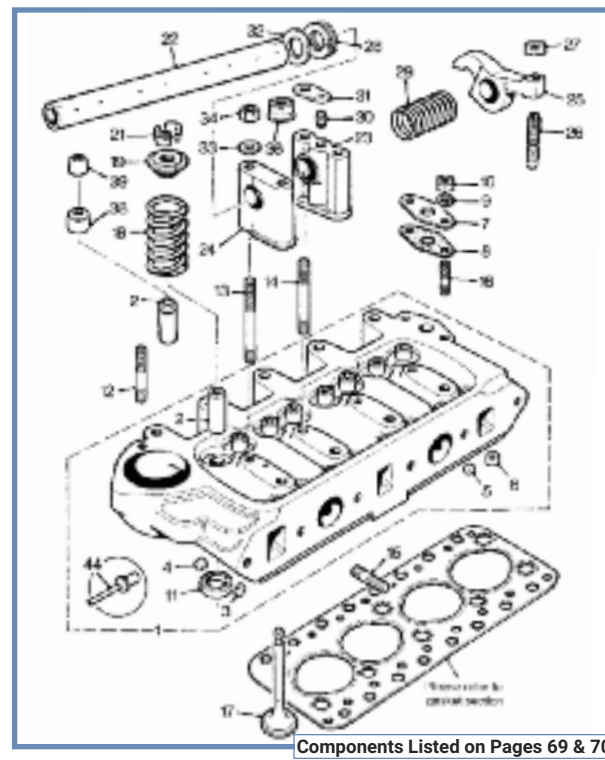
Workshop Tools by Sealy

DIY

Project IDEAS

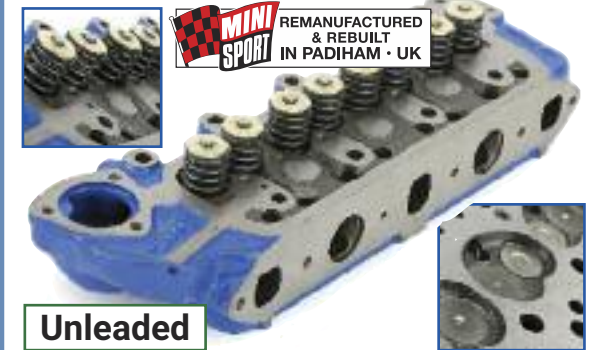


1	TOLAK63254	Combination Spanner Sets (11pc UNF)	Sealey
2	TOLAK4329	21pc GripMAX Screwdriver & Bit Set	Sealey
3	TOLAK8376HV	Pliers Set	Sealey
4	TOL1020LE	2tonne Low Entry Short Chassis Trolley Jack	Sealey
5	TOL1020LEBAGCOMBO	2tonne Low Entry Short Chassis Trolley Jack Combo	Sealey
	TOLDRP01	8L Oil/Fluid Drain Pan	Sealey
	TOLVS858	Folding Mechanic's work Mat	Sealey
6	TOLEH2001	Industrial Fan Heater 2000w	Sealey
	TOLLED176	6W LED Rechargeable Lamp	Sealey
7	TOLS01110	60pc Screwdriver & Bit Set	Sealey
8	TOLS01190	7pc Stubby Combination Spanner Set - Imperial	Sealey
	TOLS01222	24pc Tool Kit	Sealey
9	TOLS01224	101 Tool Kit with Cordless Drill	Sealey
10	TOLVS2002	Axle Stands - 2 Ton Pair	Sealey
	TOLF94	4pc Economy Fixed Spout Funnel Set	Sealey
	TOLDRLP05	5L Low Profile Drip Tray	Sealey
	TOLDRLP14	6L Oil/Fluid Drain Pan	Sealey
	TOLS08561	22mm Mat Set	Sealey
11	TOLMAC03	12v Twin Cylinder Tyre Inflator	Sealey
	TOLAK691	Socket Set 35pc 3/8" Sq Drive 6pt Metric/Imperial	Sealey
	TOLAK6541	Spark Plug Socket 21mm 3/8" Sq Drive Magnetic	Sealey
	TOLAK206	Pry Bar Set 4pc	Sealey
	TOLBPH08	Ball Pein Hammer 8oz Hickory Shaft	Sealey
	TOLS0463	Locking Pliers Set 3pc	Sealey
	TOLAK9123	Parallel Pin Punch Set 6pc	Sealey
12	TOLVS937	Oil Filter Chain Wrench	Sealey
13	TOLSCR75F	Folding American Style Creeper	Sealey
	TOLDTB	Duct Tape Black	Sealey
	TOLDTS	Duct Tape Silver	Sealey
	TOLDTR	Duct Tape Red	Sealey
	TOLDTW	Duct Tape White	Sealey



Components Listed on Pages 69 & 70

Remanufactured Cylinder Heads



Unleaded

Mini Sport Reconditioned Heads have been produced for many years to meet popular demand for a high quality, reasonably priced product. Each head is carefully selected and thoroughly checked before being cleaned and any defective parts discarded.

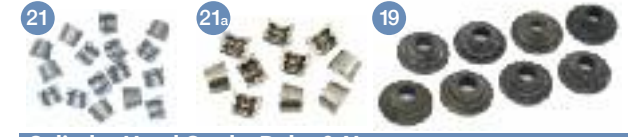
All heads are then refaced and fitted with new "Unleaded" valve seats, new valve guides, new valve stem seals, and new valve springs. Finally each head is tested, inspected and painted, so that when you receive your reconditioned cylinder head you have our "quality assurance"

HED850	850cc Cylinder Head	With Bypass
HED998	998cc Cylinder Head	
HED998.BP	998cc Cylinder Head	With Bypass
HED998.CPR	998cc Cooper Cylinder Head	Own Unit Required
HED1098	1098cc Cylinder Head	
HED1098.BP	1098cc Cylinder Head	With Bypass
HED1275.BP	1275cc Carburettor Cylinder Head	With Bypass
HED1275	1275cc Carburettor Cylinder Head	
HED1275SPI	1275cc SPI Cylinder Head	
HED1275MPI	1275cc MPI Cylinder Head	
SURHEAD5	Surcharge 850/998/1098 Cylinder Heads	
SURHEAD6	Surcharge 1275cc Cylinder Head	

Cylinder Head Parts



2	VAG50911	Valve Guides - Steel Standard	Set of 8
2a	C-AJJ4037	Valve Guides - Bronze Alloy Performance	Set of 8
6	AEA771	Plug - Water Dowel Hole	
7	2A180	Heater Valve Blanking Plate	
	SMB119	Heater Valve Blanking Plate - Stainless Steel	
8	GUG705923GM	Heater Valve Gasket	
8a	12G2534	Heater Takeoff Connector	
8b	C-MAD004	Water Temperature Gauge Take-off Adaptor	
	SMB47	Heater Take Off - Stainless Steel	
9	GFK1124	Spring Washer 1/4"	
10	GFK3211	Nut - 1/4" UNF	
11	TAM2069	Exhaust Valve Seat	1275cc
	VS6002	Exhaust Valve Seat	998cc
	VS6034	Exhaust Valve Seat	
	VS6005	Exhaust Valve Seat	
19	AHU1897	Top Cap - Valve Spring - A+	Each
	88G617	Top Cap - Valve Spring A series	Each
21	88G459	Valve Collets - Single groove	Each
21a	CAM6975	Valve Collets - Triple Groove	Each
38	ADU4905	Valve Stem Seal, all Mini's	Set of 4
44	CDU2601	Rivet - Oil Hole	



Cylinder Head Studs, Bolts & Nuts

12	CHS2524	Stud Long - Thermostat Housing	Each
12a	CHS2515	Stud - Thermostat Housing	Each
12	DAM7760	Bolt Long - Thermostat Housing	Each
13	51K885	Stud Long - Rocker Pedestal	Each
14	TE505210	Stud Short - Rocker Pedestal	Each
15	53K487	Stud - Manifold	Each
	LYR10028	Stud - Manifold - Injection	Each
16	53K402	Stud - Heater Valve	Each
34	NH605040	Nut - Rocker Pedestal	Each
36	CAM4545	Nut - Cylinder Head	Each
	51K1193	Nut - Cylinder Head - Early	Each
	12H2178	Washer for Cylinder Head Nut - Early	Each
	GFK3436	Nut - Brass Manifold Standard Type	Each
	51K1177	Nut - Brass Manifold Long Type	Each
	LYH10008	Nut - Manifold Injection Type	Each
45	CAM150	Stud Long - Cylinder Head	Each
46	CAM151	Stud Short - Cylinder Head	Each
47	AEG248	Bolt - Cooper S Cylinder Head	Each
	SMB27	Cylinder Head Nut Stainless Steel Covers	



Cylinder Heads & Components





Standard Valves



1	VALV34167	Valve - 998 Cooper Inlet	31mm	Long Groove
	VALV34274	Valve - 1275 Inlet	33mm	Single Groove
	VALV34858	Valve - 998 Inlet	27mm	Single Groove
	VALV34859	Valve - 998/1098 Exhaust	25mm	Single Groove
	VALV34860	Valve - 1098 Inlet	29mm	Single Groove
	VALV3568	Valve - 1098 Inlet	29mm	Long Groove
	VALV90193	Valve - 1275 Inlet	35mm	Single Groove
2	VALV90194	Valve - 1275 Exhaust	29mm	Single Groove
3	VALV90356	Valve - 1275 Inlet	35mm	Triple Groove
	VALV90357	Valve - 1275 Exhaust	29mm	Triple Groove
	FAIV35403	Valve - 1275 Inlet	33mm	Triple Groove

Rimflo - Highflow Competition Valves



"Rimflo" valves are the best design of high technology valves, giving vastly superior gas flow figures as compared to conventional design valves. e.g. standard size "Rimflo" inlet and exhaust valves give better flow and scavenging than conventional type larger inlet and exhaust valves. Best suited for engines where low and mid range torque is important.

	RECSV300-02	29.4mm (1.16") Rimflo	Inlet Valve	1098 STD
1	RECSV300-1	27mm (1.06") Rimflo	Inlet Valve	998 STD
	RECSV300-50	25.4mm (1") Rimflo	Exhaust Valve	998 STD
2	RECSV300-4	31.75mm (1.25") Rimflo	Inlet Valve	998 O/S
3	RECSV300-51	28mm (1.10") Rimflo	Exhaust Valve	998 O/S
	RECMS2602	33mm (1.305") Rimflo	Inlet Valve	1275 STD
	RECSV300-52	29mm (1.151") Rimflo	Exhaust Valve	1275 STD
4	RECSV300-7	35.5mm (1.401") Rimflo	Inlet Valve	1275 O/S
5	RECSV300-8	37mm (1.44") Rimflo	Inlet Valve	1275 O/S
	RECSV300-53	31mm (1.22") Rimflo	Exhaust Valve	1275 O/S

Rimflo

- STD standard size  
- O/S - over sized



Competition Valves



	REC118	37.7mm (1.480") Large	Inlet Valve	1275 - Long
1	REC109	37mm (1.460") Large	Inlet Valve	1275 - Long
	REC105	35mm (1.401")	Inlet Valve	1275 - Long
	REC126	33mm (1.299")	Inlet Valve	1275 - Long
2	REC119	36.6mm (1.441")	Inlet Valve	1275 - Long
	MS2623	31mm (1.220")	Exhaust Valve	1275 - Short
	REC107	31mm (1.220")	Exhaust Valve	1275 - Long
	REC127	31mm (1.220")	Exhaust Valve	1275 - Long w/s
	REC123	29mm (1.151")	Exhaust Valve	1275 - Long w/s
3	REC106	29mm (1.151")	Exhaust Valve	1275 - Long
	REC133	30mm (1.181")	Exhaust Valve	1275 - Long
	REC121	34mm (1.34") 998cc	Inlet Valve	(Formula Junior)
	REC122	27mm (1.06") 998cc	Exhaust Valve	(Formula Junior)

w/s wasted stem, short - AEG163 head (early Cooper S), long for 12G940 heads

Valve Spring Sets



1	ADL 451458	850/1000/1100cc	Extra Strong	Singles
2	ADL 451662	1275cc	Extra Strong	Singles
	KENVS49	Valve spring set	Competition	Singles
3	ADL 451614	200lb	Extra Strong	Doubles
4	ADL H/LIFT	240lb	Progressive Extra Strong	Doubles
	KENVS1	Valve spring set	Competition	Doubles
	KENVS2	Valve spring set	Competition	Doubles
	KENVS39	Valve spring set	Competition	Doubles



Rockers & Valve Train



1	12A1950	Rocker Shaft, Heavy Duty	
2	12G1927	Rocker Pedestal for Locating Screw	
3	12G1926	Rocker Pedestal with Oil Hole	
4	C-AEG392	Rocker Pedestal Spacer - 2mm	Each
	CAM289	Rocker Arm - (sintered)	
5	12G1221	Cooper S Forged Rockers	Each
6	2A21	Rocker Bush	Each
7	12H3376	Screw - Tappet Adjusting	
8	51K1178	Lock Nut - Tappet Adjusting Screw	



	2A18	Spring Washer - DC - Rocker Shaft	
9	6K556	Spring - Rocker Arm Spacing	
10	2A258	Screw - Locating Rocker Pedestal	
11	2A259	Plate - Locating Rocker Pedestal Screw	
	6K555	Washer - Rocker Shaft	
	WA108051	Washer - Rocker Pedestal	
12	GHF201	Nut - Rocker Pedestal Stud	



13	2A13	Cam Follower Set, Heavy Duty	Set 8
14	AEG314	STD Push Rod, 1275	Each
	2A14	STD Push Rod, 850, 998, 1098	Each
	MSL-PR-998	Steel Pushrod Set - 998/1098	Set
	MSL-PR-1275	Steel Pushrod Set - 1275	Set



Mini Sport Roller Tip Rocker Assemblies



DESIGNED • TESTED & MANUFACTURED IN PADIHAM • UK

The Mini Sport Roller tip rockers can be installed in minutes and give the same performance increase as if using a high lift camshaft. This means that you can have all the advantages of changing the camshaft, without having to remove the engine.

The roller tips on the rocker assembly help to eliminate friction, and also stops the side loading of valve stem that the standard rockers create, which allows quieter and smoother running.



1.7:1 ratio creates much higher lift, therefore giving much more performance and is designed specifically for competition engines. For more information on suitable application, please contact our sales department.

MSLMS0482 1.7:1 Ratio - Rocker Assembly



1.5:1 ratio gives higher lift, therefore increasing performance and is designed to directly replace to the original rocker assembly. Not recommended for 850cc engines. For more information on suitable application, please contact our sales department.

MSLMS0480 1.5:1 Ratio - Rocker Assembly



1.3:1 is a standard ratio and is designed as a direct replacement to the original rocker assembly. For more information on suitable application, please contact our sales department.

MSLMS0483 1.3:1 Ratio - Rocker Assembly

Rocker Covers



1	RC-2	Original Tin Type - Chromed with Cap
2	MS0415	Flat Top Rocker Cover - Polished Premium Quality
3	RC-1	Flat Top Rocker Cover - Polished with Chrome Cap
4	MS0415R	Red Rocker Cover
5	MS0415B	Blue Rocker Cover
6	RC-3	Sloped top Metro type - Polished with Red Cap
	GEG401	Rocker Cover Cork Gasket
	MCPEN.RC-AL	Cooper Alloy Rocker Cover inc Cooper Engineering Badge
7	MCPEN.RC-CR	Cooper Crinkle Finish Rocker Cover inc Gasket & Cap
8	PH33.055.BL	Paddy Hopkirk Blue Alloy Rocker Cover
9	PH33.055	Paddy Hopkirk Polished & Etched Alloy Rocker Cover
	PH33.055.RD	Paddy Hopkirk Red Alloy Rocker Cover
	PH33.055.S	Paddy Hopkirk Polished Alloy Rocker Cover

Steel High Lift Rocker Kit



CST3007 1.4:1 Ratio

1.4:1 ratio high lift steel rocker kit is a direct replacement for the original Mini rockers. This simple but effective modification will give similar performance to a hi lift camshaft but without the need to remove the engine and strip and rebuild it.

Oil Filler Rocker Cover Caps



1	GFE6003	Black Original Type - Oil Filler Cap
2	GFE6007	Red Original Type Reproduction Cap - Suit Alloy Covers
3	RCAP	Chrome Cap to suit RC-2 Rocker Cover Only
	MS0416	Chrome Cap
	PH33.056	Paddy Hopkirk Polished Alloy Rocker Cover Cap

Rocker Cover Fixings & Mountings



1	GRAS17	Chrome Rocker Cover T Bars	Pair
2	SPD9014B	Blue Anodised Rocker Cover T Bars	Pair
3	SPD9014R	Red Anodised Rocker Cover T Bars	Pair
	SPD9014WB/R/S	T-Bar Washer Kit - Blue, Red or Silver	Set
	12A1358	Bush - Rocker Cover (rubber)	Each
	2A150	Nut - Rocker Cover	Each
	2A150C	Nut - Rocker Cover - Chrome	Each
	1A2156	Washer - Rocker Cover	Each
	12G679C	Washer - Rocker Cover - Chrome	Each
	1B2925	Spacer - Rocker Cover	Each
	1B2925C	Spacer - Rocker Cover - Chrome	Each
	CAM6823C	Nut - Rocker Cover - Chrome - Long Type	Each
4	PH33.050	Paddy Hopkirk Rocker Cover T Bar Set - Red	
	PH33.050.BLK	Paddy Hopkirk Rocker Cover T Bar Set - Black	



5	MCPEN.TBAR18-BB	Cooper Knurled & Badged - Black	Pair
6	MCPEN.TBAR18-BS	Cooper Knurled & Badged - Silver	Pair
7	MCPEN.TBAR18-EB	Cooper Knurled & Engraved - Black	Pair
8	MCPEN.TBAR18-ES	Cooper Knurled & Engraved - Silver	Pair





DESIGNED • TESTED & MANUFACTURED IN PADIHAM • UK



### 7 PORT Performance

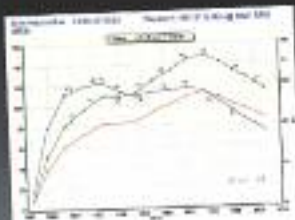
#### 7 Port Cylinder Head Options

HED7PORT.BC	<b>Bare Machined Casting</b> - Machined faces but no valve seats or guides fitted
HED7PORT.GS	<b>Machined Casting</b> - Machined faces with valve seats & bronze valve guides
HED7PORT.S3	<b>Fast Road 7 Port Head</b> - Polished, ported & gasflowed. Fitted with unleaded valve seats, 35mm competition inlet valves, 31mm competition exhaust valves, high lift 220lb competition valve springs, fully built up and painted to your choice of 4 colours.
HED7PORT.S4	<b>Rally 7 Port Head</b> - Polished, ported & gasflowed. Fitted with unleaded valve seats, 37mm competition inlet valves, 31mm competition exhaust valves, high lift 220lb competition valve springs fully built up and painted to your choice of 4 colours.
HED7PORT.S5	<b>Race 7 Port Head</b> - Polished, ported & gasflowed. Fitted with unleaded valve seats, 37.7mm competition inlet valves, 31mm competition exhaust valves, high lift 220lb competition valve springs, fully built up and painted to your choice of 4 colours.

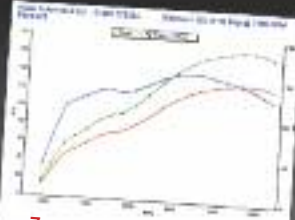
"...It's advantages over other heads of this breed, make it the winning choice for the original A-series tuner..."

148 BHP 'Before'

169 BHP 'After'



Stage 5 - (5 port) Cylinder Head 37.5mm inlets & 31mm exhaust valves



7 port X-flow Cylinder Head 37.5mm inlets & 31mm exhaust valves

Power figures were tested and verified independently at Aldon Automotive's rolling road on 20 March 2007



169 BHP

- Optimise power on all Mini 1275cc or larger engines, excels on larger capacities 1380cc or larger!
- TEST: - 1275cc engine fitted with 1.5:1 rockers, increased maximum power to 100BHP.
- 20% increase on inlet manifold air flow compared to an original 5 port head, this is due to the cross flow design and larger inlet ports.
- Cast using the best quality cast iron, precision CNC machined then pressure tested, 'in house', to ensure consistent quality.
- 1.2mm extra metal between valve centerlines, to eliminate the risk of cracking between oversized inlet and exhaust valves.
- Cast as part of the cylinder head the 4 port inlet manifold is designed to fit twin Weber, Dellorto carburettors, or injection throttle bodies.
- By retaining the original 3 exhaust port design, you have the choice of LCB manifold to use, no special purchase required.
- All original style camshaft and valve train components are used on the 7 port so no extra costs for special components.
- Each cylinder head is hand finished in our workshops to any specification, to meet individual requirements.

#### 850cc Modified Cylinder Heads

HED850.S3	<b>850cc Mini Road - (Stage 3)</b> <span style="float:right">Fast Road</span> 29mm inlet valve, 25.4mm exhaust valve, double valve springs, steel valve guides, unleaded valve seats.
HED850.S4	<b>850cc Grand Tourer - (Stage 4)</b> <span style="float:right">Fast Road/Rally</span> 32mm Rimflo inlet valve, 28mm Rimflo exhaust valve, extra strong double springs, steel valve guides, new seats.
SURHEAD5	Surcharge for 850cc models exchange cylinder heads

#### 998cc Modified Cylinder Heads

HED998.S3.BP	<b>998cc Mini Road - (Stage 3)</b> <span style="float:right">Fast Road</span> 29mm inlet valve, 25.4mm exhaust valve, double valve springs, steel valve guides, unleaded valve seats.
HED998.S4.BP	<b>998cc Grand Tourer - (Stage 4)</b> <span style="float:right">Fast Road/Rally</span> 32mm Rimflo inlet valve, 28mm Rimflo exhaust valve, extra strong double springs, steel valve guides, unleaded seats.
SURHEAD5	Surcharge for 998cc models exchange cylinder heads <i>(998cc heads include the bypass to water pump, unless requested)</i>

#### 1098cc Modified Cylinder Heads

HED1098.S3.BP	<b>1098cc Mini Road - (Stage 3)</b> <span style="float:right">Fast Road</span> 29mm inlet valve, 25.4mm exhaust valve, double valve springs, steel valve guides, unleaded valve seats.
HED1098.S4.BP	<b>1098cc Grand Tourer - (Stage 4)</b> <span style="float:right">Fast Road/Rally</span> 32mm Rimflo inlet valve, 28mm Rimflo exhaust valve, extra strong double springs, steel valve guides, unleaded seats.
SURHEAD5	Surcharge for the 1098cc models <i>(1098cc heads include the bypass to water pump, unless requested)</i>

#### 1275cc Carburettor Modified Cylinder Heads

HED1275.S2	<b>1275cc Mini Road - (Stage 2)</b> <span style="float:right">Fast Road</span> 35mm inlet valve, 29mm exhaust valve, double valve springs, steel valve guides, unleaded valve seats.
HED1275.S3	<b>1275cc Road Sport - (Stage 3)</b> <span style="float:right">Fast Road/Rally</span> 37mm inlet valve, 29mm exhaust valve, extra strong double springs, steel valve guides, unleaded valve seats.
HED1275.S4	<b>1275cc Grand Tourer - (Stage 4)</b> <span style="float:right">Fast Road/Rally</span> 35mm inlet valve, 30mm exhaust valve, extra strong double springs, steel valve guides, unleaded valve seats.
SURHEAD6	Surcharge for the 1275cc models <i>(1275cc please request the bypass tube to water pump, if required)</i>

#### Cooper 1.3 SPi Modified Cylinder Heads '92-'96

HED1275SPI.S3	<b>1275cc SPi Mini Road - (Stage 3)</b> <span style="float:right">Fast Road</span> 35mm inlet valve, 29mm exhaust valve, extra strong double springs, steel valve guides, unleaded valve seats.
HED1275SPI.S4	<b>1275cc SPi Grand Tourer - (Stage 4)</b> <span style="float:right">Fast Road/Rally</span> 35mm inlet valve, 30mm exhaust valve, extra strong double springs, steel valve guides, unleaded valve seats.
SURHEAD7	Surcharge for the 1275cc SPi models

#### Cooper 1.3 MPi Modified Cylinder Heads '97-'01

HED1275MPI.S3	<b>1275cc MPi Mini Road - (Stage 3)</b> <span style="float:right">Fast Road</span> 35mm inlet valve, 29mm exhaust valve, extra strong double springs, steel valve guides, unleaded valve seats.
HED1275MPI.S4	<b>1275cc MPi Grand Tourer - (Stage 4)</b> <span style="float:right">Fast Road/Rally</span> 35mm inlet valve, 30mm exhaust valve, extra strong double springs, steel valve guides, unleaded valve seats.
SURHEAD3	Surcharge for the 1275cc MPi models

## ...MORE Power...MORE Torque ...MORE Fuel Economy

- Bronze valve guides available on request.
- Specific chamber cc size is available on request.
- 4 painted colours to choose from - Red, Blue, BR Green or Black.
- All modified heads are suitable for Mini Sport Roller Tip Rockers.

### Mini Road



Unleaded

Improved quality valves and stronger valve springs, compression ratio raised. Ideal for fast road.

### Road Sport



Unleaded

Competition quality, increased size inlet valves, original size exhaust valves, & extra strong double springs. Compression ratio is raised. Recommended for fast road/rally.

### Grand Tourer



High flow competition valves. Finest steel guides together with extra strong double valve springs. Compression ratio to suit application. Recommended for Rally/ Race.



Unleaded

## ...Gas Flowed...Polished & Ported...Balanced Chambers



Each cylinder head is expertly hand finished in our workshops





Tuning Kits

Tuning Kits

Stage 1 Tuning Kits

- Stage 1 carb kit includes:**
- Mini Sport Superflow Exhaust System
  - Mini Sport Alloy Water Heated Inlet Manifold.
  - Long Centre Branch Exhaust Manifold.
  - Mini Sport Performance Airfilter.
  - Carb Needle and Up rated Spring.
  - All Gaskets and Exhaust Fittings.
  - Comprehensive Fitting Instructions.

- Stage 1 injection kit includes:**
- Mini Sport Superflow Cat Back Exhaust
  - Manifold Injection LCB Exhaust Manifold
  - Performance Induction Airfilter Kit
  - Manifold Gasket
  - NGK Spark Plugs

**Stage 1 Half Kit**  
As stage 1 kit but has no Exhaust System. This allows you to choose your own.



Over 20% Power Increase

1	T/KTK01	850cc, 998cc, 1098cc	HS4 (1 1/2") carb	2	T/KTK03HALF	1275cc - No Exhaust	HIF44 (1 3/4") Carb
2	T/KTK01HALF	850cc, 998cc, 1098cc - No Exhaust	HS4 (1 1/2") carb	3	T/KTK09	1275cc SPi (Single Point Injection)	Pipercross Air Filter
	T/KTK07	Van, Estate and Pick-up	HS4 (1 1/2") carb		T/KTK010	1275cc SPi (Single Point Injection)	K&N Air Filter
	T/KTK02	1275cc	HS6 (1 3/4") carb		T/KTK011	1275cc MPI (Multi Point Injection)	Pipercross Air Filter
	T/KTK03	1275cc	HIF44 (1 3/4") carb		T/KTK012	1275cc MPI (Multi Point Injection)	K&N Air Filter

Stage 2 Tuning Kits

- Stage 2 Tuning Kit includes:**
- Mini Sport Stage 2 Cylinder Head.
  - Mini Sport 1.5:1 Alloy Roller Tip Rockers
  - Mini Sport Superflow Exhaust System
  - Mini Sport Alloy Water Heated Inlet Manifold.
  - Long Centre Branch Exhaust Manifold.
  - Mini Sport Performance Airfilter.
  - Carb needle and Up rated Spring.
  - All Gaskets and Exhaust Fittings.



30% More Torque

Over 40% Power Increase

T/KTK05	850cc, 998cc, 1098cc Kit	with HS4 (1 1/2") carb
SURHEAD5	Surcharge for Cylinder Head	
T/KTK06	1275cc Kit	HIF44 or HS6 (1 3/4") carb
SURHEAD6	Surcharge for Cylinder Head	

**Surcharge:** This is a charge applied to parts that we require the old units returned so that we can ensure the sustainability of all Mini parts, to keep this great car on the road!

Stage 3 Tuning Kits for Carburettor Models

- Tuning Kit A - includes:**
- Mini Sport Modified Stage 2 Cylinder Head.
  - Twin 1 1/4 SU Carburettor Kit
  - Mini Sport Superflow Exhaust System
  - Mini Sport Alloy Water Heated Inlet Manifold.
  - Long Centre Branch Exhaust Manifold.
  - All Gaskets and Exhaust Fittings.

T/KMST001	998/1098cc
SURHEAD5	Surcharge for Cylinder Head
T/KMST003	1275cc
SURHEAD6	Surcharge for Cylinder Head

- Tuning Kit B - includes:**
- Mini Sport Modified Stage 3 Cylinder Head.
  - Twin 1 1/2 SU Carburettor Kit
  - Mini Sport Superflow Exhaust System
  - Mini Sport Alloy Water Heated Inlet Manifold.
  - Long Centre Branch Exhaust Manifold.
  - All Gaskets and Exhaust Fittings.

T/KMST010	1275cc
SURHEAD6	Surcharge for Cylinder Head



Over 50% Power Increase

Significantly improve every carburettor and injection Mini. All have been developed to achieve significant power increase, improved acceleration and Top Speed with better fuel consumption, whilst still maintaining engine reliability.

Stage 3 SPi 85 BHP Tuning Kit

DESIGNED • TESTED & MANUFACTURED IN PADIHAM • UK



Over 35% Power Increase

"This kit has what it takes to give you a truly responsive Mini!!"

Stage 3 SPi 85 BHP Tuning Kit - includes:

- Mini Sport Stage 3 Modified Performance Cylinder Head, fully polished, ported and gas flowed, incorporating 35mm larger inlet valves and increased compression ratio.
- Mini Sport 1.5:1 Ratio Alloy Roller Tipped Rocker Assembly.
- Mini Sport Superflow Rear Exhaust System which improves gas flow and increases power whilst retaining the original catalytic converter, fitting directly onto the existing exhaust mountings without any modifications or alterations.
- Performance Air Filter to increase air flow and directly replace the original paper element.
- Manifold Injection LCB Exhaust Manifold.
- NGK Performance Spark Plugs.
- Cylinder Head Gasket Set.

Mini Sport performance tuning Kit specifically developed for the 1275cc SPi Mini, to achieve significant power increase and improved acceleration with better fuel consumption, whilst still maintaining reliability.

The kit will transform your Mini into a much livelier, smoother performer whilst giving quieter cruising speeds and even greater motoring pleasure!!

T/KMST100	85bhp Single Point Injection Tuning Kit
SURHEAD7	Cylinder Head Exchange, Surcharge

Stage 3 MPI 90 BHP Tuning Kit '96-'01

DESIGNED • TESTED & MANUFACTURED IN PADIHAM • UK



Over 45% Power Increase

"A Smooth & lively performer"

Stage 3 MPI 90 BHP Tuning Kit - includes:

- Mini Sport Stage 3 Modified Performance Cylinder Head, fully polished, ported and gas flowed, incorporating 35mm larger Inlet Valves and increased compression ratio.
- Mini Sport 1.5:1 Ratio Alloy Roller Tipped Rocker Assembly.
- Mini Sport Superflow Rear Exhaust System which improves gas flow and increases power whilst retaining the original Catalytic Converter, fitting directly onto the existing exhaust mountings without any modifications or alterations.
- Performance Air Filter to increase air flow and directly replace the original paper element.
- Manifold Injection LCB Exhaust Manifold.
- FSE Power Boost Valve - controls the fuel pressure
- NGK Performance Spark Plugs.
- Cylinder Head Gasket Set.

Mini Sport performance tuning Kit specifically developed for the 1275cc MPI Mini, to achieve significant power increase and improved acceleration with better fuel consumption, whilst still maintaining reliability.

The kit will transform your Mini into a much livelier, smoother performer whilst giving quieter cruising speeds and even greater motoring pleasure!!

T/KMST300	90bhp Multi Point Injection Tuning Kit
SURHEAD3	Cylinder Head Exchange, Surcharge





Cooper Tuning Kits for Carburettor Models



Cooper Tuning Kits for Carburettor Models include:

- Numbered Stage 3 Modified Cylinder Head
- Roller Tip Rocker Assembly 1.3 on 998 Kit and 1.5 on 1275 Kit
- Twin 1 1/4 SU Carburettors with K&N Airfilters
- Oil Cooler and Pipes (1275 kit)
- Performance LCB Manifold and Twin Box Exhaust System
- Cooper Polished Alloy Rocker Cover and Cap with T-Bar Fittings
- NGK Sparkplugs
- Gaskets and Fittings
- Numbered Cooper Conversion Plate and Certificate
- Cooper S Rear Quarter Decals
- Cooper Keyring and Lapel Badge



John Cooper conversions are renowned the world over for quality and reliability. All conversions are thoroughly tried and tested and will enhance the Mini Cooper driving experience. Includes Cooper S decals and authenticity chassis plate.

- 1 MCP998RD John Cooper 998 Twin Carb 64bhp Conversion
- 2 MCP1275RD John Cooper 1275 Twin Carb 80 bhp Cooper S Plus Pack 90 - 92

Cooper Tuning Kits for Injection Models



Cooper Tuning Kits for Injection Models include:

- Numbered Stage 3 Modified Cylinder Head
  - 1.5 Roller Tip Rocker Assembly
  - K&N Induction Kit
  - Oil Cooler and Pipes
  - Performance LCB Manifold and Twin Box, Twin Tailpipe Exhaust System
  - Cooper Polished Alloy Rocker Cover and Cap with T-Bar Fittings
  - NGK Sparkplugs
  - Gaskets and Fittings
  - Numbered Cooper Conversion Plate and Certificate
  - Cooper S Rear Quarter Decals
  - Cooper Keyring and Lapel Badge
- S Works Plus kit comes with airbox extension pipe and K&N filter element instead of the induction kit.**



John Cooper conversions are renowned for quality and reliability. Their conversions are available for all Cooper models from 1992 onwards. All conversions will enhance the Mini Cooper driving experience. An evolution of the "Si" Pack with a **boost in power to 82bhp**. Includes Cooper S decals and authenticity chassis plate.

- 3 MCP1275SD John Cooper 1275 Injection 82 bhp Cooper S Kit 92 - 97
- MCP1275SW John Cooper 1275 Injection 85 bhp S Works Conversion 97 on
- 4 MCP1275SWP John Cooper 1275 Injection S Works Plus Conversion 97 on
- MCP1275SW.JPN John Cooper 1275 Inj S Works Conv 97 on - Japanese Models with Aircon ONLY



Restoration, Service & Rebuild All your Mini needs

Mini...

We give you the chance to make it truly unique...

Truly your own.



Our Services:

- ✓ Servicing & MOT
- ✓ Mechanical Repair
- ✓ Engine Rebuild
- ✓ Engine Conversion
- ✓ Gearbox Rebuild
- ✓ Accident Repair
- ✓ Electrical System
- ✓ Interior Re-trim
- ✓ Competition Preparation



FREE health check with every service

Simply get in touch today... ...discuss your Mini, and the options we have available.





Remanufactured Gearbox by Mini Sport



**4 Synchro Gearboxes**

R/G400	Remote Change 850/998/1098/1275
R/G402	Remote Change 1275GT/Cooper S - Close Ratio
R/G403	Rod Change Cooper S - Close Ratio - A Series
R/G405	Rod Change 850/998/1098/1275 A Series
R/G407	Rod Change 850/998/1098/1275 A+
SURGBOX1	Surcharge for Remote Type Gearbox
SURGBOX2	Surcharge for Rod Type Gearbox

**3 Synchro Gearboxes**  
All types from any of the early remote 3 synchro gearbox Mini's can be remanufactured but due to the shortage of old core it will be necessary to rebuild your own gearbox.

**Additional Components when choosing your Gearbox**  
Our reconditioned gearboxes are re-built to standard specification. However it is possible to make certain add on modifications, utilising the following components.

C-AHT54	Centre Oil Pickup Pipe
C-AHT54TRAP	Magnetic Oil Pickup Trap
MSLMS0515	4 Pinion Diff - Rubber Drive
MSLMS0516	4 Pinion Diff - Pot Joint



Each gearbox is dismantled and thoroughly cleaned in the latest state of the art environmentally friendly cleaning process. Each component is inspected for wear and damage and all non-conforming parts are discarded and replaced. The gearbox is then re assembled using all new bearings, shafts, and baulk rings. The differential is also fully overhauled including pins, pinions and bearings.

All remanufactured components are supplied on an exchange basis. A surcharge will be levied until serviceable old units are supplied. Depending on the availability of old core units, we may need your own units to work on.

A+ Gearbox Reconditioning Kit by Mini Sport



The Mini Sport Gearbox Reconditioning kits contain all component required to fully recondition your A series or A+ gearbox and differential. Includes all bearings, needle roller bearings, shafts, baulk rings, washers gaskets and seals.

**FULL RECON KITS**

MS4017	A+ Full Recon Kit - Rod Type Gear Change (as pictured)
MS4019	A Series Full Recon Kit - Rod & Remote Type

**BEARING ONLY KITS**  
Includes only all the bearings and needle roller bearings required for each gearbox.

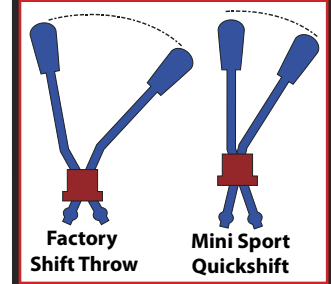
MS4016	A+ Bearing Kit - Rod Type Gear Change
MS4018	A Series Bearing Kit - Rod & Remote Type

1	DAM3187	1 x Layshaft - 4 Synchro Type
2	AAU1365	1 x 3rd Motion Shaft Bearing
3	ADU7619	1 x 1st Motion Shaft - Bearing
4	22G2033	4 x Baulk Ring
5	22G2583	1 x Diff Pin
6	DAM6624	2 x Diff Pinion (Planet Gear)
7	ADU5738	2 x Diff Output Flange Seal
8	DAM5071	2 x Diff Pinion Washer
9	ADU6554	2 x Diff Bearing
10	BTA101	2 x Output Shaft Fibre Washer

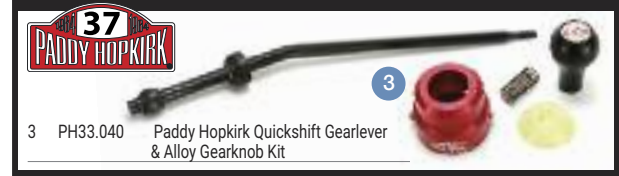
11	AJM804B	1 x Gearbox Gasket Set
12	ATA7385	3 x Crown Wheel Lock Washer
13	DAM4000	1 x 1st Motion Nut Lock Washer
14	DAM6140	1 x 3rd Motion Nut Lock Washer
15	13H9513	2 x Laygear & 1/3 Motion shaft Needle Roller
16	AAU1815	1 x 1st Gear Needle Roller
17	AAU1816	2 x 2nd/3rd Gear Needle Roller
18	TUK100320	1 x Idler Gear Needle Roller
19	CHM141	1 x Laygear Needle Roller

For help and advise please contact our sales team, they will be happy to help!

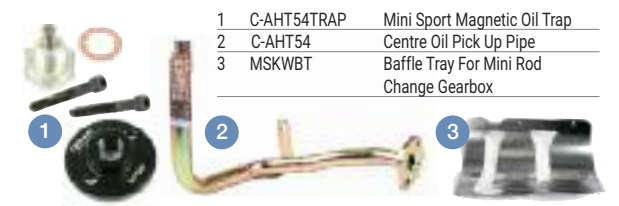
Quickshift Gearlevers



Improved feel, shorter gear lever travel and a faster, slicker gear change. Available for both rod type and remote type selector gearboxes, each kit comprises of a modified chrome gear lever, pivot retainer plus all mounting hardware. The Mini Sport Quickshift is easy installation job, which any reasonably competent enthusiast should be able to complete in a matter of 30 minutes.



Gearbox Modifications



KAD Gearbox Parts

**Alloy Race Clutch**

2	1011220P/E	Alloy Flywheel - Pre Eng - 3.7kg
	1011220BEN	Alloy Flywheel - Inertia - 3.7kg
3	1011220	Alloy Backplate - 1.14kg

**Gear Linkage & Quickshift**

4	1011375	Linkage Kit for Gear Change
	1013216	Quickshift Gear Lever
	1012280	Adjustable Bias Pedal Box
	1011005	Oil Pressure Valve - Adjustable
	1012281	Master Cylinders for KAD Pedal Box
	1012282	Cable Adjuster Kit for Pedal Box



4 Synchro Straight Cut Gearbox

Fully built 4 synchro S/C gearbox with new gears, new shafts and bearings etc. Complete including standard re-manufactured differential.

NOTE:- these gearboxes are exchange, surcharge will be applied until old unit is returned.

R/G408	Rod Change Type
R/G409	Remote Change Type

3 & 4 Synchro Straight Cut Gear Kits

Superior quality three and four synchromesh, straight cut gear sets, designed to incorporate the original Special Tuning gear ratios and materials whilst at the same time using 2nd millennium technology to create competition gears to the highest standard. Available for 'A' series and 'A' plus engines, for race, rally and other high stress applications.

MS4014R	4 Synchro S/C Gear Kit (Rod)
MS4014.ALT	Quaife 4 Synchro S/C Gear Kit (Rod)
MS4014.ALT	Quaife 4 synchro S/C gear kit (Remote)
MS4014	4 Synchro S/C Gear Kit (Remote)
MSL-3110-RG	4 synchro S/C Gear Kit A+ (Rod)
MSL-3110-RGR	4 synchro S/C Gear Kit (Remote)



**Kits Include the following gears:-**

	Ratio
1 22A1735	1st Gear - 29 Teeth 2.54:1
2 22A1734	2nd Gear - 25 Teeth 1.73:1
3 22A1733	3rd Gear - 22 Teeth 1.25:1
4 22A1732	1st Motion Shaft (4th) - 19 Teeth - A+ 1:1
4 22A1732A	1st Motion Shaft (4th) - 19 Teeth - A Series 1:1
5 22A1736R	Reverse Idler - 17 Teeth (rod) 2.69:1
22A1736	Reverse Idler - 17 Teeth, (remote) 2.69:1
6 22A1737	Laygear - 25, 23, 19, 15 Teeth

**3 Synchro Straight Cut Gear Kits**

MS3371	3 synchro s/c Gear Kit
MSL-3230-3S	3 Synchro S/C Gear Kit

**Kits Include the following gears:-**

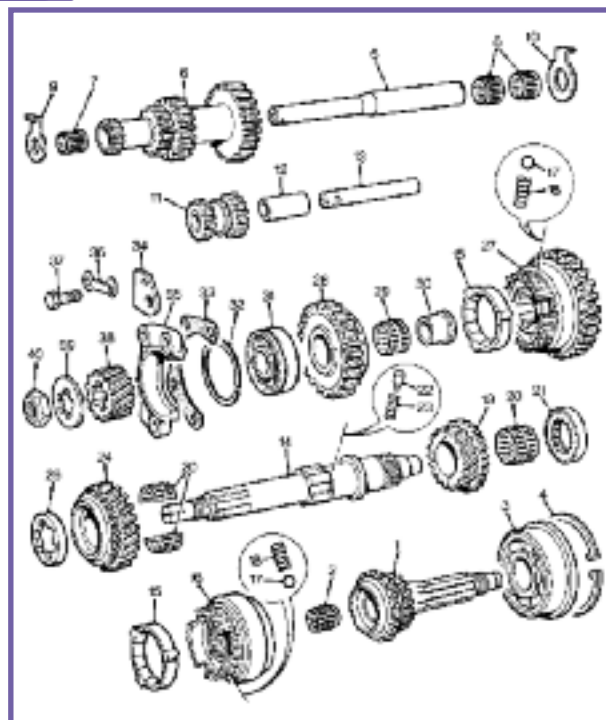
	Ratio
7 22G1049	2nd Gear - 28 Teeth 1.722:1
8 22G1050	3rd Gear - 24 Teeth 1.255:1
9 22G1048	1st Motion Shaft (4th Gear) - 22 Teeth 1:1
10 22G1047	Laygear - 23,20,17,13 Teeth

**Dog Engagement Kits**

MSL-3100-DG	Dog Engagement Gear Kit	Rod Change
MSL-3100-DGR	Dog Engagement Gear Kit	Remote Change
MSL-3701-PS	Pinion Support Housing For Dog Gearbox	







Standard Helical Gears



1	22G1093	4th Gear - 1st motion shaft	A Series
1	DAM4930	4th Gear - 1st motion shaft	A+
11	TUB10020	Reverse Idler	Rod Change Type
12	TUJ10001	Bush	Reverse Idler Gear
13	DAM8038	Shaft	Reverse Idler Gear
15	22G2033	Baulk Ring	
15	22G2033GEN	Baulk Ring	Genuine
15	22G2033COMP	Baulk Ring Competition	
16	DAM7456	Synchronizer	3rd & 4th Gear
17	BLS107	Ball	Synchronizer
18	DAM7391	Spring	Synchronizer
19	22G1095	3rd Gear	A series
21	22G947	Thrust Washer	3rd Gear
22	22G843	Peg - Locking - 2nd/ 3rd Gear	All



23	22G154	Spring - Locking Peg	
24	DAM4932	2nd Gear	A+
26	22G839	Thrust Washer	2nd Gear
27	DAM7455	Synchronizer	1st & 2nd gear
28	22G1096	1st Gear	A series and A+
30	22G837	Journal	1st Gear

Gearbox Parts



1	22G1093	1st Motion Shaft	A Series
1	DAM4930	1st Motion Shaft	A+
	2A3548	Nut	1st Motion Shaft
	DAM4000	Lock Tab	1st Motion Nut
2	88G409	14mm 1st Motion Needle Roller Bearing	
2/7	13H9513	18mm 1st Motion/layshaft Needle Roller Bearing	
3	ADU7619	Bearing - 1st Motion Shaft	Large
4	22G850	Circlip	1st Motion Shaft Bearing
5	22A1371	Layshaft	3 Synchro
5	22G931	Layshaft	4 Synchro - A Series
5	DAM3187	Layshaft	A+



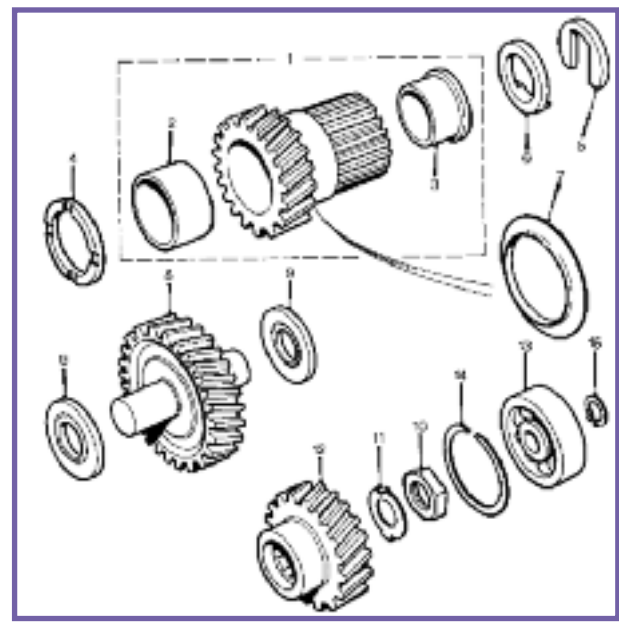
5a	C-22A1738	Layshaft Competition	A Series
5a	C-22A1739	Layshaft Competition	A+
6	22G1100	Laygear	3 Synchro - Cooper S
6	22G927	Laygear	4 Synchro - A Series
6	DAM4931	Laygear	NLA
7	88G396	16mm Layshaft Needle Roller Bearing	
8	CHM141	20mm Layshaft Needle Roller Bearing	
9	DAM3181	Thrust Washer	NLA
9	DAM3183	Thrust Washer	Layshaft (.130"-.132") A+
10	22G860	Thrust Washer	Laygear
13	DAM8038	Shaft	Reverse Idler Gear
14	22G833	3rd Motion Shaft	A Series - 4 Synchro
14	DAM7484	3rd Motion Shaft	NLA
20	AAU1816	2nd/3rd gear Needle Roller Bearing	
22	22G843	Peg	3rd Motion Shaft
23	22G154	Spring	3rd Motion Shaft
29	AAU1815	1st Gear Needle Roller Bearing	



31	AAU1365	Bearing - 65mm Double	3rd Motion Shaft
32	ADU4992	Spring Ring	3rd Motion Bearing Retainer
33	GUG705645GM	Shim	3rd Motion Bearing Retainer (.003")
34	2A3581	Locating Plate	3rd Motion Bearing Retainer
35	22G2726	Bearing Retainer	NLA
36	DAM2377	Lock Tab	3rd Motion Bearing Retainer



37	SH505071	Bolt	3rd Motion Bearing Retainer
39	DAM6140	Lock Tab Washer	Final Drive Pinion
40	DAM7485	Nut	3rd Motion Shaft - A+
41	88G302	Bearing - Idler Gear - 25.4mm	3 Synchro
41a	13H7848	Bearing - Idler Gear - 27.0mm	A Series
41b	TUK100320	Bearing - Idler Gear - 35.0mm	A+
42	AAU8424	Bearing - 1st Motion	Pilot shaft - Clutch Case End



Standard Helical Drop Gears



1	22A1493	Primary Gear	850cc/ 1000cc/ 1100cc A Series
1	22G1053	Primary Gear	1275cc A Series
1	DAM8888	Primary Gear	1000cc/ 1100cc A+
1	DAM8890	Primary Gear	1275 A+ Including Injection Models

A series thrust washers - please call for details

2	DAM8889	Front Bush	- Primary Gear	1275cc
3	22G109	Rear Bush with Lip	- Primary Gear	All models
4	22A322	Thrust Washer	- 2.84-2.89mm(0.112-0.114")	998cc
4	22A323	Thrust Washer	- 2.89-2.94mm(0.114-0.116")	998cc
4	22A324	Thrust Washer	- 2.94-2.99mm(0.116-0.118")	998cc
4	22A450	Thrust Washer	- 2.99-3.04mm(0.118-0.120")	998cc
4	DAM6490	Thrust Washer	- 2.84-2.89mm(0.112-0.114")	1275cc
4	DAM6486	Thrust Washer	- 2.89-2.94mm(0.114-0.116")	1275cc



4	DAM6487	Thrust Washer	- 2.94-2.99mm(0.116-0.118")	1275cc
4	DAM6488	Thrust Washer	- 2.99-3.04mm(0.118-0.120")	1275cc
4	DAM6489	Thrust Washer	- 3.04-3.09mm(0.120-0.122")	1275cc
5	22A319	'C' Washer		Primary Gear
6	88G549	'C' Washer Backing Plate		Primary Gear
8	DAM2924	Idler Gear	998cc/ 1100cc/ 1300cc A+ (37)	
9	DAM5914	Thrust Washer	A+ idler gear (.130" - .131")	
9	DAM4822	Thrust Washer	A+ idler gear (.132" - .133")	
9	DAM4823	Thrust Washer	A+ idler gear (.134" - .135")	
9	DAM4824	Thrust Washer	A+ idler gear (.136" - .137")	
9	DAM4825	Thrust Washer	A+ idler gear (.138" - .139")	
10	2A3548	1st Motion Drive Gear Nut		
11	DAM4000	1st Motion Nut Lock Washer		
12	22G849	Input Gear	850cc/ 1000cc/ 1100cc/1275cc A Series	
12	DAM2925	Input Gear	998cc/ 1100cc/ 1275cc A+	
13	AAU8424	Bearing - 1st Motion Gear to flywheel housing		
14	2A3643	Circlip 1st Motion Nose Bearing Outer Cage		
15	CCN110	Circlip - 1st Motion Nose Bearing		

Straight Cut Drop Gear Kit



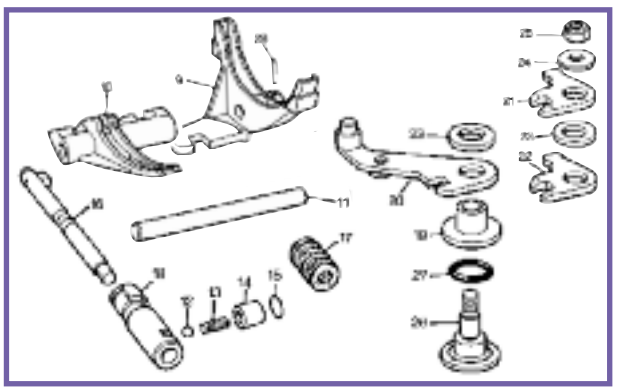
MS4000	A+ Set (Input, Idler, Primary) 1275 Engine
MS4001	A Series Set (Input, Idler, Primary) 1275 Engine

Straight Cut Drop Gear Sets

MSL-DG11-1275	1275 A Series	1:1
MSL-DG11-1275+	1275 A Plus	1:1
MSL-DG11-998	998 A Series	1:1
MSL-DG11-998+	998 A Plus	1:1
MSL-DG43-1275	1275 A Series	1.043:1
MSL-DG43-1275+	1275 A Plus	1.043:1
MSL-DG43-998	998 A Series	1.043:1
MSL-DG43-998+	998 A Plus	1.043:1

Straight Cut Roller Bearing Drop Gear Sets

MSL-RDG11-1275	1275 A Series	1:1
MSL-RDG11-1275+	1275 A Plus	1:1
MSL-RDG11-3S	3 Synchro	1:1
MSL-RDG11-998	998 A Series	1:1
MSL-RDG11-998+	998 A Plus	1:1
MSL-RDG43-1275	1275 A Series	1.043:1
MSL-RDG43-1275+	1275 A Plus	1.043:1
MSL-RDG43-3S	3 Synchro	1.043:1
MSL-RDG43-998	998 A Series	1.043:1
MSL-RDG43-998+	998 A Plus	1.043:1



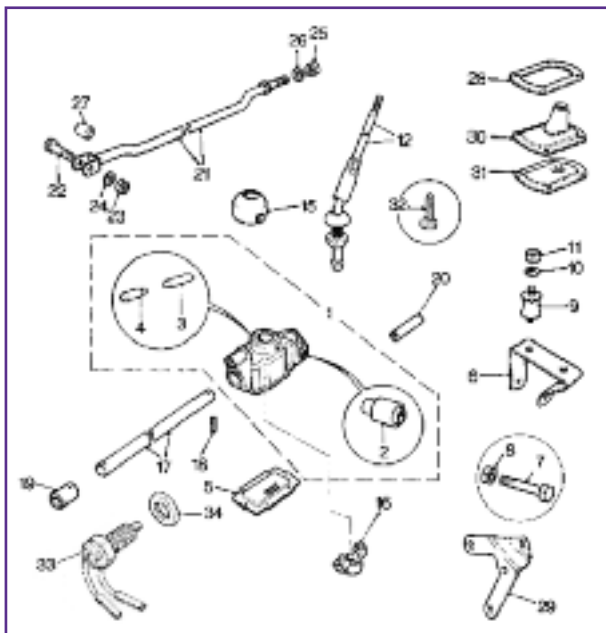
Gear Selection

9	TSP100400	Selector Fork - 3rd and 4th Speed	
10	TSP100390	Selector Fork - 1st and 2nd Speed	
11	22G1854	Shaft- Selector Fork (NLA)	
12	BLS110	Ball- Detent	
13	22G2083	Spring - Detent	
14	22G1870	Sleeve - Detent	
15	22G1417	O' Ring - Sleeve	
16	22G1858	Shaft - Selector	
17	DAM3022	Boot - Selector Shaft Seal	
18	22G1844	Spool - Interlock	
19	42H1077	Bush - Pivot	
20	AHU2292	Lever - Release	
21	22G1848	Lever - Bell Crank-Upper	
22	22G1847	Lever - Bell Crank-Centre	
23	42H1081	Spacer - Lever	
24	PWZ306	Washer	
25	GFK3323	Nut - Nyloc Pivot Pin	
26	22G1845	Pin - Pivot - Bell Crank	
27	31B447	O' Ring - Pivot	
28	22G2595	Pin - Roll - Fork to Shaft	





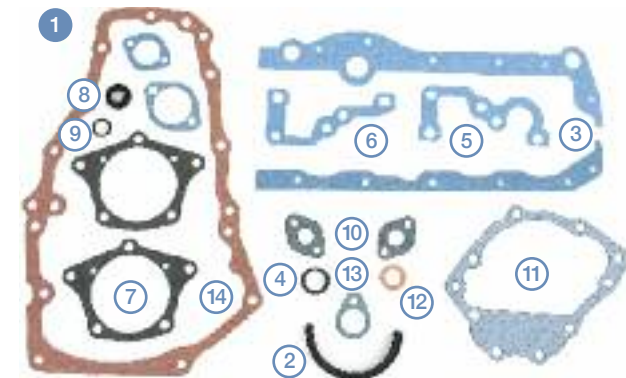
Rod Change Gearbox Linkage



1	DAM3670	Housing - Remote
2	42H1214	Bush - Lower - Housing
3	DAM2670	Pin-long - Change Speed Control
4	22G2277	Pin - Short - Change Speed Control
5	DAM8621	Cover - Bottom NLA
6	22G2026	Bracket - Mounting
7	BT606281	Bolt - Bracket to Housing
8	LNZ106	Nut - Bracket to Housing
9	22G2205	Mounting (Rubber) Gearbox Extension
10	GHF332	Washer - Spring
11	GHF201	Nut - Mounting
12	UKE100790	Lever - Gear Change NLA
15	22G1434	Retainer - Spring NLA
16	22G2792	Eye - Extension Rod
17	UKN10023	Rod - Extension - 1275cc '92on
18	RPS1416	Pin - Spring-Slotted
19	42H1116	Coupling- Extension Rod
20	42H1199	Rod - Support - Eye
21	UKN10032	Rod - Steady - 1275cc
22	BT605161	Bolt - Rod to Differential Cover
23	NV605041	Nut - Bolt
24	GHF304	Washer
25	GHF275	Nut - Steady Rod
26	WA112081	Washer - Steady Rod
27	13H7286	Bush - Steady Shaft
28	FJN10003	Retainer - Gaiter
29	GEX7088	Bracket - Exhaust System
29	GEX7526	Bracket - Exhaust System - Late Type
30	CZH4278	Gaiter - Change Speed Lever Inner
31	JPC6519	Insulation - Lever Aperture
32	GHF426	Screw - retainer- Gaiter
33	GAE191A	Reverse Light Switch
34	22A1613	Locknut - Reverse Light Switch



Gearbox Gaskets & Sets



1	AJM804B	Gearbox Set (as Pictured)
2	AHU1959	Oil Seal - Front Main Bearing Cap
3	GUG703038SG	Gasket - Gearbox Casing to Engine Block
4	2A3606	'O' Ring Seal - Gearbox To Block
5	2A3505	Gasket - Upper, Differential Cover
6	22G1836	Gasket - Lower, Differential Cover - Rod Change
7	22A1611	Gasket - Diff End Cover
8	AHU1672	Oil Seal - Differential Cover (Selector Shaft)
9	CDU1563	'O' Ring Seal - Selector Bush
10	22A542	Gasket - Oil Pick Up Pipe
11	22A541B	Gasket - Speedo End Cover
12	22A134	Copper Washer - Sump Plug
13	2A3628	Speedo Pinion Cover Gasket
14	22A2237B	Flywheel Housing Gasket

**Rod Change Selector Seal Kit**

Designed to stop the most common oil leak found on a Mini.

Kit contains a new selector shaft oil seal, internally fitted aluminium bush and seal and new external change rod bellows.

MSK017  
Rod Change Selector Seal Kit

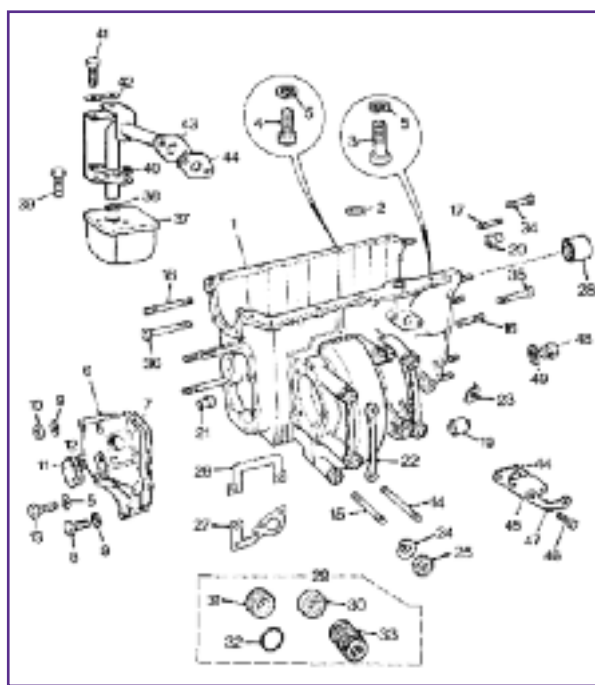
**Magnetic Oil Pick up Trap**

Designed to fit to the top of the oil pick up pipe in the gearbox just before the oil goes into the engine.

Thus protecting the engine from any metal particles that may be in the oil.

C-AHT54TRAP  
Mini Sport Magnetic Oil Trap

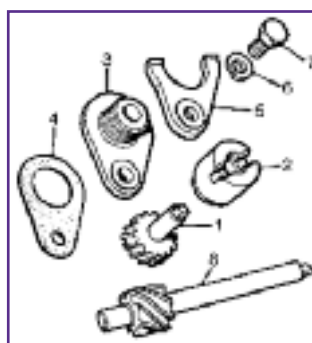
Gearbox Casing, Fixtures, Fittings & Oil Pick Up



1	BHM5093	Case - Transmission
2	2A3606	'O' Ring Seal - Gearbox To Block
	FHS2410	Stud - Engine Block to Gearbox
3	GHF102	Bolt - Long
4	GFK5180	Set Screw - Short
5	GFK1124	Washer - Spring
6	DAM5219	Gearbox Casing Speedo End Cover
7	22A541B	Speedo End Cover Gasket
8	SH505091	Bolt - 5/16"UNC X 1 1/8"
9	GFK1125	Washer - Spring
10	GHF201	Nut - 5/16"UNF
11	2A3626	Speedo Drive Housing End Plate

Speedo Drive

1	22A1881	Pinion - Speedo (16 Teeth White)	NLA
1	DAM2905	Pinion - Speedo (16 Teeth Green)	NLA
1	TXD10006	Pinion - Speedo (18 Teeth Red)	NLA
1	TXD10004	Pinion - Speedo (15 Teeth Black)	2.76:1 Final Drive



2	2A3624	Bush - Pinion
3	DAM8488	Retaining Plate
4	2A3628B	Gasket
5	22A862	Spring Plate NLA
6	GFK1124	Spring Washer
7	SH504071	Set Screw

For help or advice on products for your Mini, please contact our team, they will be very happy to help!

8	2A3720	Speedo Drive Spindle (6 Teeth)	All to '80
8	DAM6028	Speedo Drive Spindle (7 Teeth Red)	3.105:1 Final drive
8	TXF10004	Speedo Drive Spindle (7 Teeth Blue)	NLA
8	TXF10001	Speedo Drive Spindle (7 Teeth Yellow)	2.76:1 Final Drive

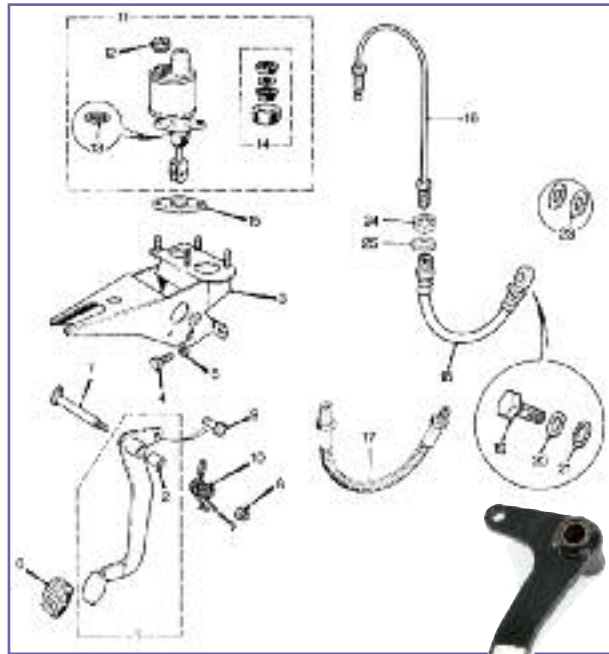
12	GUG705564GM	Gasket - Speedo Drive Housing End Plate
13	SH504061	Set Screw - 1/4"Unc X 3/4"
14	22G1834	Stud - Differential Cover
15	53K1471	Stud - Differential Cover To Case - Short
16	22A152	Stud - Flywheel Housing To Case - Long
17	53K547	Stud - Flywheel Housing To Case - Short
18	53K1474	Stud - Front Cover - Long
19	13H7286	Bush - Steady Shaft
20	22A97	Dowel - Flywheel Housing
21	22A13	Dowel - Front Cover
22	42H500	Lock Washer
23	22A251	Lock Washer
24	GFK1125	Washer - Spring
25	GHF201	Nut - Differential Cover
26	2A3505	Gasket - Upper, Differential Cover
27	22G1836	Gasket - Lower, Differential Cover - Rod Change
	2A3506	Gasket - Lower, Differential Cover - Remote Change
28	TUK100320	Bearing-Needle Roller-Idler
29	MSK017	Selector Shaft Seal Kit
30	AHU1672	Seal - Differential Cover (Selector Shaft)
31	DAM8706	Bush (Aluminium) Selector
32	CDU1563	'O' Ring Seal - Selector Bush
33	DAM3022	Boot - Selector Shaft Seal
	DAM7760	Bolt Differential Cover To Case - Short
34	DAM7756	Bolt Flywheel Housing To Case - Short
35	DAM7759	Bolt Flywheel Housing To Case - Long
36	DAM7761	Bolt Front Cover-Long
37	22A335	Oil Strainer
38	22A341	O Ring - Pipe To Strainer
39	SH604031	Bolt
40	22A388	Lock Tab
41	GFK5180	Bolt
42	22A1365	Lock Tab
43	22G1150	Oil Pick Up Pipe
44	22A542	Pick Up Pipe Gasket
45	2A3637	Blanking Plate - Gearbox Oil Pipe
46	BH604131	Bolt
47	2K4874	Lock Tab
48	DAM7335	Sump Plug
49	22A134	Sump Plug Copper Washer
	C-MAD004	Magnetic Sump Plug with Oil Temp Sender Take-off

Speedo Cables



1	GSD101	Centre Speedo Type - 24" (610mm)	Screw End
	GSD102	Clubman GT - 33" (838mm)	Clip On End
	GSD105	Mini Saloon - 39" (990mm)	Screw End
	GSD152	Centre Speedo - 27" (686mm)	Screw End
2	GSD415	Mk3 - Side Clock - 42" (1067mm)	Clip On End
	GSD487	MINI '90 on RHD - 48" (1219mm)	Clip On End
3	GSD488	Mini '90 on LHD - 29" (737mm)	Clip On End





### Clutch Pedal Assembly



1	NAM3116	Pedal Assembly - Clutch - RHD	
	NAM3115	Pedal Assembly - Clutch - LHD	
2	2A3034	Bush	
3	SKU10043	Bracket - Brake and Clutch - RHD	NLA
	SKU10040	Bracket - Brake and Clutch - LHD	NLA
	SKU10042	Bracket - Brake and Clutch - LHD	Injection '91-'96
3	SKU101220	Bracket - Brake and Clutch - RHD	MPI '96on
	SKU101210	Bracket - Brake and Clutch - LHD	MPI '96on
4	SH605051	Set Screw - Mounting Bracket	
5	GHF332	Spring Washer - Mounting Bracket	
6	GPR105	Pedal Rubber Pad - Early	
6	GPR107	Pedal Rubber Pad	
6	SZU10001	Pedal Rubber Pad	
7	2A5880	Shaft - Clutch And Brake Pedal	
8	GFK3322	Nut - Nyloc - Pedal Shaft	
9	CLZ512	Pin - Clevis	
10	2A5652	Spring - Pedal Return	'59-'88
	NAM8544	Spring - Pedal Return - RHD	'89on
	NAM8547	Spring - Pedal Return - LHD	'89on



The finest quality clutch hose, consisting of a PTFE inner with a stainless steel outerbraid. This eliminates the spongy feel under arduous conditions, giving much greater clutch operation as well as providing superior resistance to abrasion and corrosion.

### Clutch Master Cylinder



1	AAU4969	Master Cylinder - Early Metal Tank Type	
2	STC100330	Master Cylinder - Late Plastic Tank Type	
12	513123A	Filler Cap	
	17H3723	Master Cylinder Metal Filler Cap - 1959-63	
14	GRK3004	Kit Repair - Master Cylinder (2 Ring Type)	
	GRK3007	Kit Repair - Master Cylinder (1 Ring and Cup Type)	
15	31G279	Brake and Clutch Master Cylinder Mounting Gasket	
	SMB24	Clutch Master Cylinder Cap Stainless Cover	

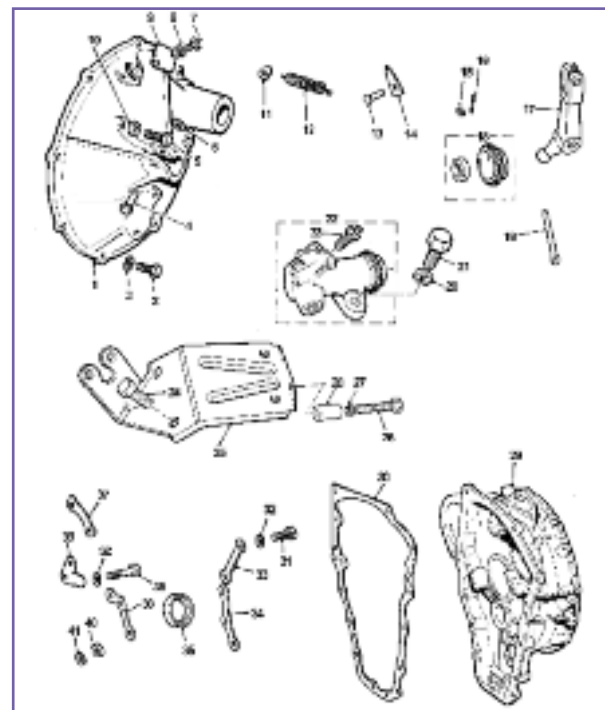
### Clutch Pipes & Hoses



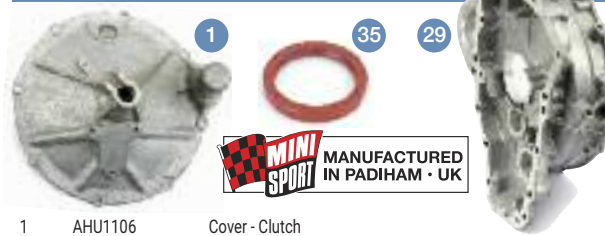
16	ACP455	Copper Pipe 27.94cm (11") Long	- RHD
16	ACP647	Copper Pipe 81cm (32") Long	- LHD
17	GVP1020	Rubber Clutch Hose	- pre verto
18	GVP1009	Rubber Clutch Hose	- verto
19	C5192A	Bolt - Banjo - Hose to Slave Cylinder	
20	3H550	Copper Washer - Banjo Bolt to Banjo	
21	233220A	Copper Washer - Banjo to Slave Cylinder	
23	WB116101	Washer - Plain - Clutch Hose to Dash	
24	2K8686	Nut - Lock - Tubenut	
25	WE600101	Washer - Lock - Tube - Nut	



26	C-AJJ4025	Aeroquip Braided Clutch Hose - Pre Verto	
27	C-AJJ4025B	Aeroquip Braided Clutch Hose - Verto	
	C-AJJ4025-COMP	Aeroquip Clutch Hose - Pre Verto Slave to Master Cyl.	



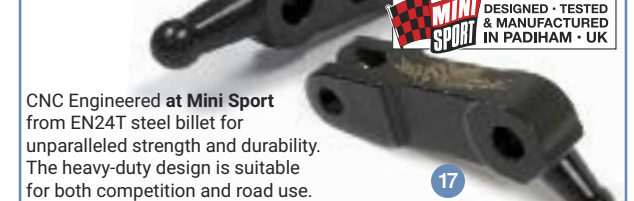
### Clutch & Flywheel Housing



1	AHU1106	Cover - Clutch	
	SMBFK011	Clutch Bell Housing Fitting Kit	
2	DAM7755	Set Screw - Cover to Housing	
3	GFK1125	Spring Washer - Cover Screw	
5	GFK5180	Set Screw - Clutch Arm Adjustment	
7	SH604041	Set Screw - Timing Hole Cover	
8	GHK1124	Spring Washer - Timing Cover Screw	
10	FNZ604	Lock Nut - Clutch Arm Adjustment Screw	
29	TRD10015	Flywheel Housing	A+
30	22A2237B	Gasket - Housing to Gearbox Case	
31	DAM7753	Set Screw - Housing to Cylinder Block	
32	GFK1125	Spring Washer - Screw Housing	
34	22A1761	Locktab Washer	
35	13H2934	Seal - Oil - Clutch	
35	LUF10005	Seal - Oil - Clutch	
36	DAM7758	Bolt - Housing to Cylinder Block	
37	22A1241	Locktab Washer	
40	GHF201	Nut - Flywheel Housing Stud	
41	GFK1125	Spring Washer	
	88G302	Bearing - Idler Gear - 25.4mm - 3 Synchro	
	13H7848	Bearing - Idler Gear - 27.0mm - A series	
	TUK100320	Bearing - Idler Gear - 35.0mm - A+	
	AAU8424	Bearing - 1st Motion - Pilot Shaft - Clutch Case End	
	2A3643	Circlip for AAU8424 Outer Race	
	LLC10047	Angled Clutch Housing Breather	
	SMB174	Stainless Steel Angled Clutch Housing Breather	
	SMB175	Stainless Steel Straight Clutch Housing Breather	
	SMBFK051	Breather Fitting Kit	
	SMB179	Stainless Sensor Bracket	
	SMB79	Stainless Timing Hole Cover Plate	
	SMBFK055	Timing Hole Cover Plate Fitting Kit	
	SMB140	Battery Lead Bracket for Clutch Housing	

### Mini Sport Heavy Duty Clutch Arms

These specially engineered Mini pre-vertto and vertto type clutch arms are designed and manufactured by Mini Sport as a direct replacement to the original arm, which can become worn or damaged over time.



17a	22A2204HD	Clutch Arm - Long, Pre Verto, Heavy Duty EN24T	
17	DAM5355HD	Clutch Arm - Short, Verto, Heavy Duty EN24T	

### Clutch Slave Cylinders, Arms & Fittings



4	CLZ628	Clevis Pin - Verto Clutch Arm to Flywheel Housing	
11	2A3600	Spring Anchor - Cylinder End	
12	1G5999	Return Spring - Clutch Arm - Pre Verto	
13	CLZ518	Clevis Pin - Arm to Pushrod	
14	2A3601	Spring Anchor - Clutch Arm End	
15	GFK1115	Washer - Plain	
16	PS104221	Split Pin - for Clevis Pins	
18	GRK4001	Seal Repair Kit for GSY118	
18a	GRK4008	Seal Repair Kit for GSY110	
19	13H396	Push Rod - Arm to Cylinder - Pre Verto & Verto Models	



22	GSY118R	Slave Cylinder - Verto Type	
22a	GSY110	Slave Cylinder - Pre Verto Type	
23	3H2428	Bleed Screw	
21	GFK5191	Screw - Clutch Cylinder to Plate	
20	MSLMS0047	Spring Washer	
	SMBFK053	Pre Verto Slave Cylinder Fitting Kit	
24	GHF165	Set Screw - Bracket to Flywheel Housing	



25	DAM5992	Bracket for Verto Slave Cylinder	
26	SH604141	Set Screw - Bracket to Distance Piece and Clutch Cover	
	SMB15	Verto Slave Cylinder Bracket - Stainless Steel	
27	GFK1124	Spring Washer	
28	21A1108	Distance Piece	
	SMBFK012	Verto Cylinder Bracket Fitting Kit	
	SMBFK054	Clutch Arm Adjuster Bolt	





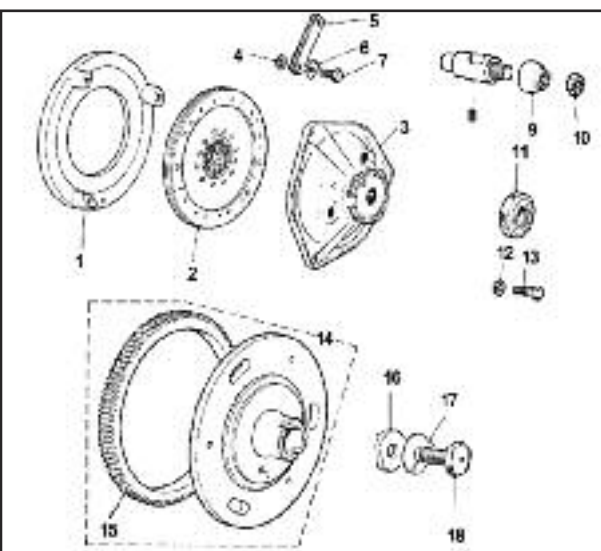
Ultralight Steel Flywheels by Mini Sport

A lightened flywheel, reduces the internal weight of your engines components allowing much faster engine acceleration. Designed and developed by Mini Sport technical department, a range of Ultralite steel flywheels with a choice of differing weights and either Inertia type or Pre engaged type ring gears. All lightened flywheels include the necessary spacer blocks for easy fitment, and include ring gear as shown.

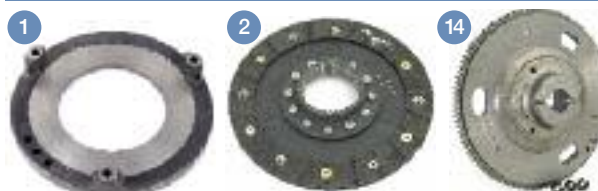


DESIGNED • TESTED & MANUFACTURED IN PADIHAM • UK

1	C-AEG623	Inertia Type	(4.432kg)
	C-AEG624	Pre Engaged Type	(4.432kg)
2	C-AEG621	Inertia Type	(4.154kg)
	C-AEG622	Pre Engaged Type	(4.154kg)
3	C-AEG619	Inertia Type	(4.028kg)
	C-AEG620	Pre Engaged Type	(4.028kg)



Pre Verto Clutch Parts



1	MS2222	Refaced Original Cast Pressure Plate - Exchange	
	SURPLATE1	Surcharge for Exchange on MS2222	
2	GCP204AF	Pre Verto Standard Type (all models up to 1990)	
4	GFK1115	Washer 3/8"	
5	2A3658	Clutch Strap	Each
6	2A3512	Lock Tab	
7	2A3659OE	Bolt - Strap to Flywheel	Each
8	22A180	Clutch Arm Plunger - Pre Verto	



9	22A427	Plunger Stop Nut	
10	NT610041	Plunger Lock Nut	
11	GRB238	Release Bearing - Tall Type	'64-'82
12	GHF323	Shakeproof Washer	
13	2A3657OE	Bolt - Clutch Cover to Pressure Plate	



14	MS2223	Flywheel A+/ A series, Reconditioned, Lightened & Balanced
	SURFLY1	Surcharge on MS2223
15	A107/10R	Inertia Type Ring Gear - NARROW



15a	B107/10R	Inertia Type Ring Gear - WIDE
15b	PSF10003	Pre Engaged Type Ring Gear
16	88G508	Flywheel Key Plate for Bolt - Pre Verto
17	22A1155	Flywheel Bolt - Lock Tab - Pre Verto
18	22A747	Flywheel Bolt - Pre Verto

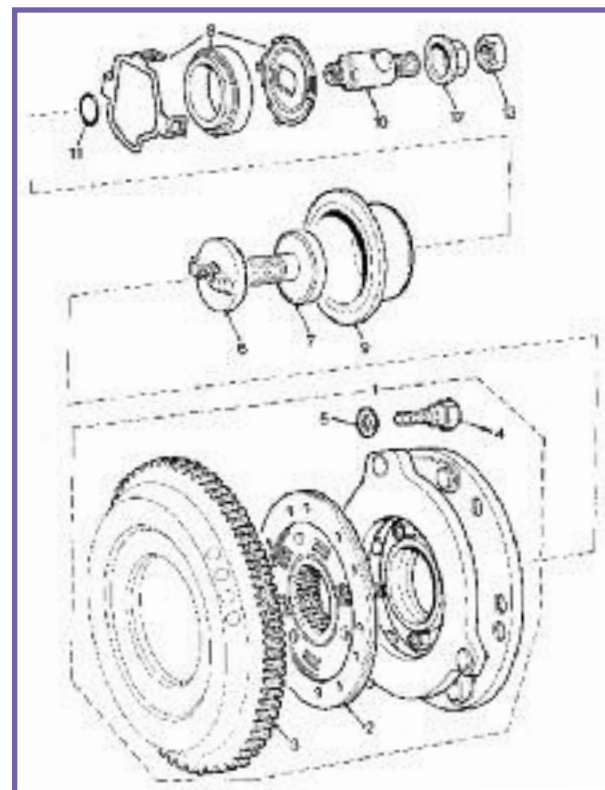
Performance Pre Verto Clutch Parts



1a	C-AHT230	Lightened Steel Pressure Plate by Mini Sport
3a	C-AEG481	Fast Road & Rally Cover - Orange
3b	C-AEG482	Competition Cover - Grey



Diaphragm type (180mm) suit all pre Verto clutch (pre 1990)		
2a	C-AHT596	AP Racing Organic Rigid Centre, Fast Road High Tourque
2b	C-AHT598	AP Racing Cerametallic (4 paddle) Rigid Centre, Competition Only - Torque Capacity 161nm



Brake & Clutch Fluid



A full range of standard and performance clutch fluids, available for all applications. Full technical specifications on our website - [www.minisport.com](http://www.minisport.com)

CAS1773	Castrol Standard DOT 4	- 1 Litre
CAS1704	Castrol React Performance DOT 4	- 1 Litre
CAS1712	Castrol SRF Racing DOT 4	- 1 Litre
MILRACE	Millers Racing 300+ DOT 4	- 500ml
CP4510	AP DOT 5.1 High Performance	- 500ml
ABF003	Automec Silicone - DOT 5	- 500ml
ABF004	Automec Silicone - DOT 5	- 1 Litre

3 Piece Clutch Kits



1	CK9035	Standard Verto Carburettor Mini Clutch Kit
2	GCK100AF	Standard Pre Verto Clutch Kit
3	CK9378	Standard Verto Injection Mini Clutch Kit
4	HK6604	Borg & Beck Verto Injection Mini Clutch Kit

Verto Clutch Parts



2	GCP271AF	998cc Verto Clutch Plate (180mm plate)	
2	GCP90832AF	Clutch Plate - 190mm '90 on	
A	Steel Flywheel in development, available soon, ask for details		
3	MS2223V	Refaced and Lightened non Injection Verto Flywheel. Customers Clutch Required for Balancing. Surcharge on MS2223V	
	SURFLY1	Surcharge on MS2223V	
3a	PSF10003	Ring Gear - Pre Engaged - all Verto Clutch Type Models	
4	BAU2319	Bolt - Cover	NLA
5	BAU2320	Washer - Crinkle - Verto	



6	DAM5923	Flywheel Locking Key
7	DAM5922	Flywheel Bolt - Verto
8	GRB239	Clutch Release Bearing
9	AHU1564	Clutch Release Bearing Sleeve, Top Hat
10	DAM5353	Clutch Arm Plunger - Verto
11	AAU2866	O' Ring - Plunger to Bearing
12	22A427	Plunger Stop Nut
13	NT610041	Plunger Lock Nut



DESIGNED • TESTED & MANUFACTURED IN PADIHAM • UK



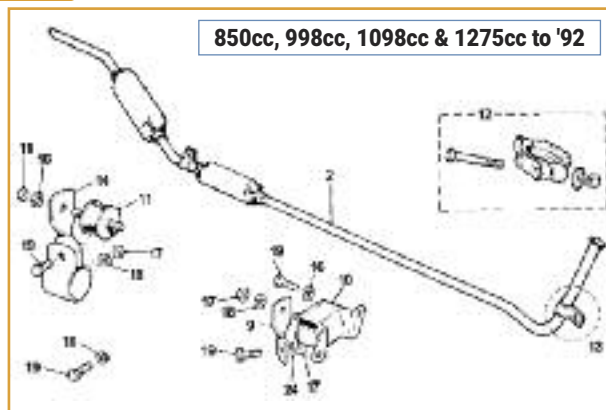


Scan Me

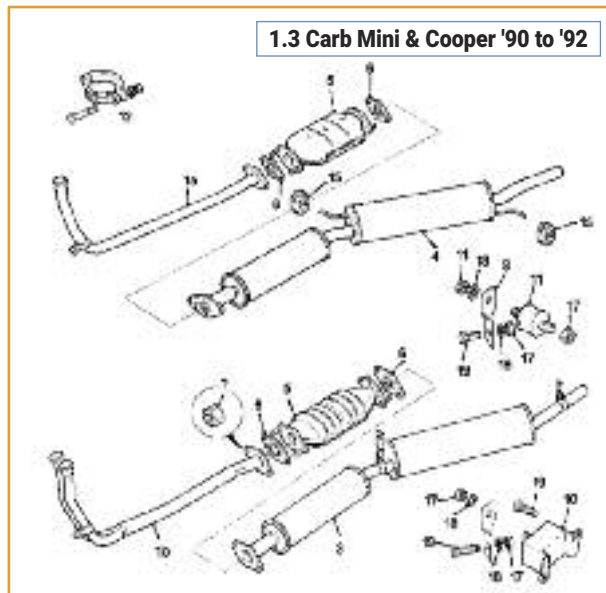


# Replacement Exhausts & Gaskets

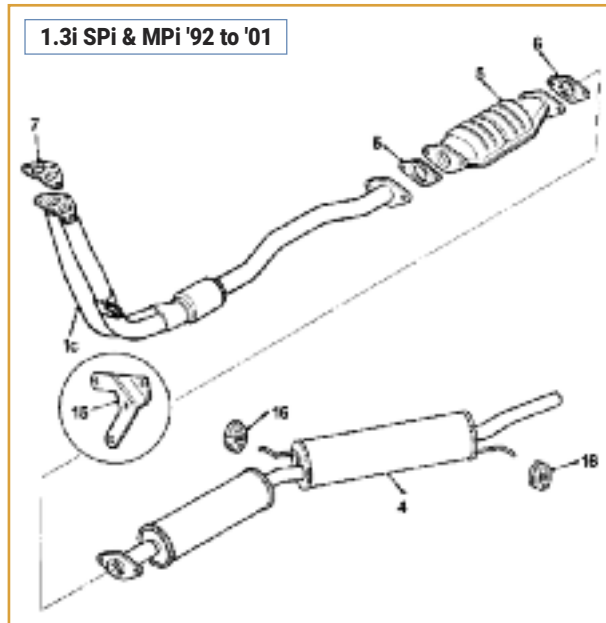
Exhausts



850cc, 998cc, 1098cc & 1275cc to '92



1.3 Carb Mini & Cooper '90 to '92



1.3i SPI & MPI '92 to '01

### Exhaust Downpipes

Standard exhaust downpipes manufactured by Klarius to the highest standards.

1a	GEX12052	Mini 1.3 Carb with CAT '92-'94	Single Pipe
1b	GEX12017	Cooper 1.3 Carb with CAT '90-'91	Twin Pipe
1c	GEX12043	1.3i Mini & Cooper, SPI or MPI '91-'01	Twin Pipe

### Standard Exhaust Systems

A range of top quality replacement exhaust manufactured by Klarius to suit all Mini models, 1959 - 2001

	AN292E	850cc/998cc/1098cc/1275cc System	Single Silencer
2	AN374J	998cc/1098cc/1275cc System	Twin Silencer
	AN377E	Estate/Van/Pick-up System	Twin Silencer
3	AN585E	Cooper 1.3 Carb with CAT '90-'91	Twin Silencer
4	AN583C	Mini 1.3 Carb or Injection with CAT '92-'01	Twin Silencer

### Catalytic Converter (CAT)

Replacement catalytic converter for all Mini models after 1990 fitted with a CAT. Manufactured by Klarius ensuring the highest standard and emission control.

5	370056	Mini Catalytic Converter	Replacement
	401578	Catalytic Converter Fitting Kit	
	MHK10004OE	Lambda Sensor	Genuine
	MHK10004	Lambda Sensor	OE Specification

### Exhaust Gaskets

6	GEX7761	Gasket - Catalyst
7	GEX7779	Gasket - Injection Downpipe
8	AJM601	Manifold - Standard Gasket
9	C-AHT381	Manifold - Large Port Gasket
10	LKJ100580EVA	Manifold - Injection Exhaust Gasket
11	FG1RP	Holts Firegum Exhaust Paste 150g

### Exhaust Mountings and Hangers

8	GEX7248	Hanger - Twisted Strap with Hook	Middle
8a	GEX7249	Hanger - Triangular Type with Hook	Rear
9	GEX7778	Hanger - Twisted Support Strap	Rear
10	GEX7081	Square Rubber Exhaust Mounting	
11	GEX7251	Bobbin Type Rubber Exhaust Mounting	

12	GEX7046	Clamp Manifold/Downpipe Clamp	
	GEX7801	Clamp Manifold/Downpipe Clamp	1.3 '92-'94
13	GEX7053	Front Pipe to gearbox Support Bracket	
13a	GEX7082	Hanger - Front of the Rear Subframe	

14	GEX7084	Exhaust Mounting Bracket - Rear
	GEX7088	Gearbox - Exhaust Support (Mounting) Bracket - Early Type
15	GEX7526	Gearbox - Exhaust Support (Mounting) Bracket
16	GEX7661	Rubber Exhaust Hanger

	LEX021/50	45mm Exhaust U Clamp	Each
	LEX022/50	48mm Exhaust U Clamp	Each
	LEX023/50	51mm Exhaust U Clamp	Each
	LEX024/50	54mm Exhaust U Clamp	Each

17	GHF201	Nut - 5/16" UNF
17a	GFK1114	Flat Washer - 5/16"
18	GFK1125	Spring Washer - 5/16"
19	GFK5185	Set Screw 5/16" UNF x 1"

### Exhaust Hanger Conversions

Convert your early type exhaust hangers to the later type rubber hangers and rods. These hangers fit on the rear subframe, one on the front edge, the other on the back edge. This kit will be required to fit some performance exhaust systems.

1	MSLPM48	Exhaust Hanger Rod (Late Type), Front Edge	Bolt On
2	MSLPM49	Exhaust Hanger Rod (Late Type), Rear Edge	Bolt On
3	KHU10011	Exhaust Hanger Rod (Late Type), Front Edge	Weld In
4	KHU10012	Exhaust Hanger Rod (Late Type), Rear Edge	Weld In

# Exhaust Mountings & Downpipes



Exhausts

## MANIFLOW

### Performance Downpipes

- 1 - Magic Downpipe**  
This clever down-pipe will allow you to fit any 1 3/4" exhaust system, without having to change original standard, single exit cast iron exhaust manifold. Finishing in same position as a LCB. Ideal for 850/ 998/1100cc engines easy to fit.
- 2 - Turbo Downpipe**  
Large 2" down-pipe with stainless steel knuckle joint for fitting to mini using a A-series turbo power unit. ends in same place as LCB. Use 2" exhaust systems.
- 3 - Carburettor Downpipe**  
Twin carb down-pipe with sniffer take-off, for fitting to original exhaust manifold when catalyst not fitted (1990on), use 1 3/4" or 1 7/8" exhaust system.
- 4 - Injection Downpipe - SPI & MPI**  
Twin injection down-pipe, for fitting to original exhaust manifold when catalyst not fitted, (late cooper,) simple to fit, use 1 3/4" or 1 7/8" exhaust systems.

**Injection Downpipe - SPI & MPI with CAT link pipe**  
Twin injection down-pipe with link-pipe, for fitting to original exhaust manifold, when retaining the catalyst, (late cooper,) easy to fit, use cat-back, 1 3/4" or 1 7/8" exhaust systems.

**Carburettor Downpipe - with CAT link pipe**  
Twin carb down-pipe with link-pipe for fitting to original exhaust manifold, when retaining the catalyst (1990+). easy to fit, use cat-back 1 7/8" exhaust systems.

1	LDP01	Magic Downpipe
2	LMD681	Turbo Downpipe
3	LD068C	Carb Downpipe
4	LD068I	Injection Downpipe Spi & Mpi
	LD003I	Injection Downpipe Spi & Mpi with CAT Link Pipe
	LD003C	Carb Downpipe with CAT Link Pipe

### Catalyst Removal Pipes

Taking out the catalyst removes the restriction it causes in the exhaust system, which in turn will increase performance by allowing the engine to breathe. A session on our Rolling Road after will tune your engine perfectly.

1	PHBCATLINK	Superflow CAT Removal Pipe
2	L75K	Manifold CAT Removal Pipe
	SPDLS-SSAN583-OS	Fletcher Stainless Steel CAT Removal Pipe

### Exhaust Fitting Kit

Exhaust fitting kit to suit non catalyst models when fitting performance 1 7/8" exhaust systems. Different size clamps available for larger diameter exhausts.

	PHBST400FIT	Exhaust Fitting Kit as Pictured (1-6)
	FKT01A	Manifold Heavy Duty 1 3/4 Bore Side Exit Fitting Kit
	FKT01B	Manifold Heavy Duty 1 3/4 Bore Centre Exit Fitting Kit
	FKT04A	Manifold Heavy Duty 1 7/8 Bore Side Exit Fitting Kit
	FKT04B	Manifold Heavy Duty 1 7/8 Bore Centre Exit Fitting Kit
	FKT04BI	Manifold Heavy Duty 1 7/8 Bore Injection Centre Exit Fitting Kit
	FKT05A	Manifold Heavy Duty 2inch Bore Side Exit Fitting Kit
	FKT05B	Manifold Heavy Duty 2inch Bore Centre Exit Fitting Kit





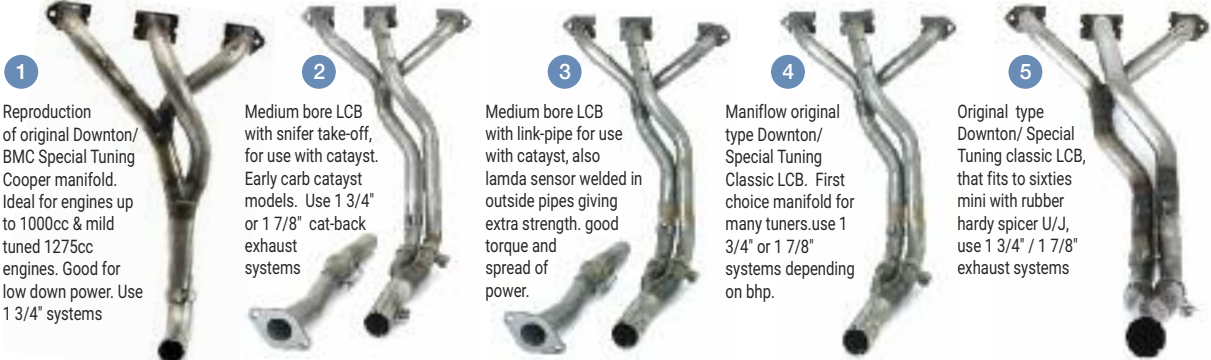
Scan Me



# Exhaust Manifolds, Mountings & Spares



Welcome to manifold - a name renowned in the racing world with over 40 years experience of producing quality LCB manifolds and exhaust systems. Manufactured to perfection; paying special attention to all joints, welds, bends plus the 'Y' section radii venturi, ensuring correct back-pressures and ultimate gas-flow. We will not sacrifice quality for quantity!



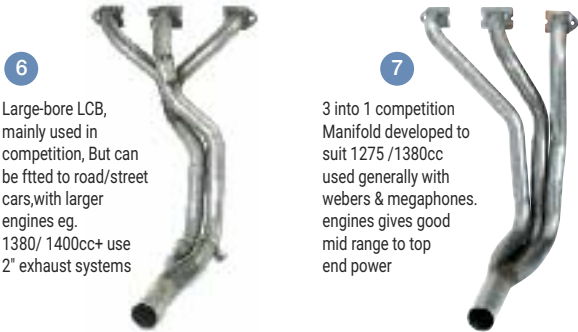
**1** Reproduction of original Downton/BMC Special Tuning Cooper manifold. Ideal for engines up to 1000cc & mild tuned 1275cc engines. Good for low down power. Use 1 3/4" systems

**2** Medium bore LCB with snifer take-off, for use with catalyst. Early carb catalyst models. Use 1 3/4" or 1 7/8" cat-back exhaust systems

**3** Medium bore LCB with link-pipe for use with catalyst, also lamda sensor welded in outside pipes giving extra strength. good torque and spread of power.

**4** Manifold original type Downton/ Special Tuning Classic LCB. First choice manifold for many tuners. use 1 3/4" or 1 7/8" systems depending on bhp.

**5** Original type Downton/ Special Tuning classic LCB, that fits to sixties mini with rubber hardy spicer U/J, use 1 3/4" / 1 7/8" exhaust systems



**6** Large-bore LCB, mainly used in competition. But can be fitted to road/street cars, with larger engines eg. 1380/ 1400cc+ use 2" exhaust systems

**7** 3 into 1 competition Manifold developed to suit 1275 /1380cc used generally with webbers & megaphones. engines gives good mid range to top end power

1	LM001	Cooper 3 Branch	
	LM001SS	Cooper 3 Branch	Stainless Steel
2	LM003C	LCB Catalyst - Includes Link Pipe	Carburettor
3	LM003I	LCB Catalyst - Includes Link Pipe	Injection
	LM003ISII	Stage 2 LCB Catalyst - Includes Link Pipe	
4	LM004	LCB - Special Tuning	Carburettor
	LM004A	LCB - 1275cc Rubber Coupling	Carburettor
	LM004B	LCB - 850cc Rubber Coupling	Carburettor
	LM004C	LCB Catalyst - No Link Pipe	Carburettor
	LM004I	LCB Catalyst - No Link Pipe	Injection
	LM004SS	LCB - Includes 'Y' Piece - Stainless Steel	Carburettor
5	LM004SIIR	Stage 2 LCB - with Larger Centre-pipe	Carburettor
5	LM004ISII	Stage 2 LCB - with Larger Centre-pipe	Injection
6	CLM005	Large Bore LCB - includes 'Y' piece	Carburettor
	CLM005SS	Large Bore LCB - incl. 'Y' Piece - Stainless	Carburettor
	LM006	Small Bore 3 into 1 Manifold - Road	Carburettor
7	LM008	Race 3 Branch	
	LM008SS	Race 3 Branch	Stainless Steel

CLM005SII	STAGEII Large Bore LCB Manifold
CLM005SIII	STAGEIII Large Bore LCB Manifold
LM003I-SS	Stainless Steel - Injection Mini LCB



**LCB Manifolds**

**Sportex** MINI SPORT

High performance LCB (Long Centre Branch) manifold. Comes with 'Y' piece and clamps. The Classic Mini LCB exhaust manifold from Mini Sport SuperFlow exhausts. Designed with performance in mind, featuring mandrel-bent steel tubing for maximum flow and perfect fit, this LCB Manifold is perfect for all Mini performance exhaust systems with a 1.75" bore.

PHBPPM1	Sportex LCB	- Carburettor models
C-AEG365	Heavy Duty LCB Manifold	



**Exhaust Manifold Wrap - Heat Management**

Heat resistant Asbestos Free vermiculite weave exhaust/manifold wrap. Suitable up to 1260°C. Helps to reduce under bonnet temperatures, and protects vulnerable parts from heat damage. Roll Size 2" (50mm) x 50ft (15 metres)

GRAGE980-15	Exhaust Heat Wrap Roll	- 50mm x 15m
-------------	------------------------	--------------

## Manifold Mountings & Spares



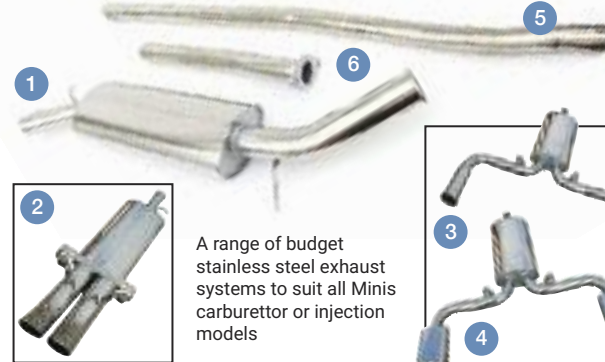
1	53K487	Manifold Stud	Each
	12A1211	Manifold Clamping Washer	Each
2	51K1177	Brass Manifold Nut - Long Type	Each
	GFK3436	Brass Manifold Nut - Short Type	Each
3	GHF201	Manifold Steel Nut	Each



4	PHBPPM1Y	Sportex 'Y' Piece to Suit (PHBPPM1)
5	LM004Y	Manifold 'Y' Piece to Suit (LM004)
	CLM005Y	Manifold 'Y' Piece to Suit (LM005)
6	PHLBCCLAMP/BAR	Sportex Y Piece Clamp & Bar (to Gearbox)
	PHLBCCLAMP	Sportex 'Y' Piece Clamp
7	LM003I-LP	Manifold LCB Link Pipe - for LM004
8	C-AHT381	Manifold - Large Port Gasket
	SPDLS-SSAN583/4S	Fletcher LCB to CAT Link Pipe




## Stainless Steel Performance Exhausts



1	MWSSSE-1	3" Round Tailpipe, Side Exit Rear Silencer
2	MWSDTM-1	Twin 3" DTM Tailpipes, Centre Exit Silencer
3	MWSSSTE2	Dual Exit 3" Round Tailpipes, Rear Silencer
4	MWSSSTEB	Dual Exit Boxsta Tailpipes, Rear Silencer
6	MWSSSCLP	Link Pipe to Catalyst
5	MWSSSLP	Link Pipe to LCB

A range of budget stainless steel exhaust systems to suit all Minis carburettor or injection models

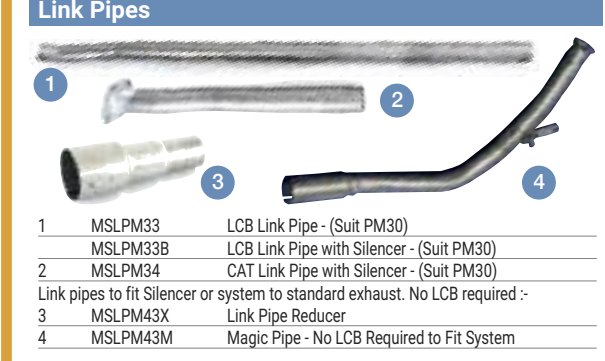


**The Original Stainless Steel Mini Sports Exhaust!!** All silencers, mounting brackets and link pipes are made from T304 gauge stainless steel.



**Rear Silencers**

MSLPM30 2" Side Exit Silencer with Rolled End



**Link Pipes**

1	MSLPM33	LCB Link Pipe - (Suit PM30)
	MSLPM33B	LCB Link Pipe with Silencer - (Suit PM30)
2	MSLPM34	CAT Link Pipe with Silencer - (Suit PM30)

Link pipes to fit Silencer or system to standard exhaust. No LCB required :-

3	MSLPM43X	Link Pipe Reducer
4	MSLPM43M	Magic Pipe - No LCB Required to Fit System

**Recommended Hangers (Fletcher & Play Mini)**

All silencers come with late type hangers, to fit pre 1990 Minis upgrade the hangers, see Recommended Hangers below.

1	MSLPM48	Front Edge - Rear Subframe	Bolt On type
2	MSLPM49	Rear Edge - Rear Subframe	Bolt On type
3	GEX7251	Rubber Bobbin (x2 required for DTM style)	
4	GEX7661	Rubber Hanger 1991-2001	



See page 89 for all exhaust mountings

# Stainless Steel Performance Exhausts



Scan Me



**FLETCHER** Exhausts

Single 3" Round

Superior quality, mirror polished stainless steel exhaust systems manufactured to the highest standard. Available as single 3" side exit or 3" twin DTM centre exit, with a choice of link pipes to suit your Mini.



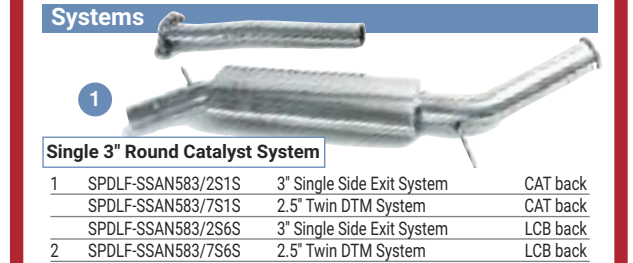
Twin 2.5" DTM

Perfect mirror polished finish, this exhaust is probably the best looking system you can buy for your Mini!

Silencers come with late type hangers, to fit pre 1990 Minis upgrade the hangers, see Recommended Hangers below.

<b>LCB Manifold</b>	
PHBSPD708M	Fletcher LCB Manifold
<b>Rear Silencers</b>	
SPDLF-SSAN583/2S	3" Single Side Exit Back Box
SPDLF-SSAN583/7S	2.5" Twin DTM Back Box

**Systems**



Single 3" Round Catalyst System

1	SPDLF-SSAN583/2S1S	3" Single Side Exit System	CAT back
	SPDLF-SSAN583/7S1S	2.5" Twin DTM System	CAT back
	SPDLF-SSAN583/2S6S	3" Single Side Exit System	LCB back
2	SPDLF-SSAN583/7S6S	2.5" Twin DTM System	LCB back



Twin DTM LCB System

**Link Pipes**

3	SPDLS-SSAN583/0S	Mini Catalyst Removal Pipe
4	SPDLS-SSAN583/4S	Mini LCB to Cat Link Pipe
	SPDLF-SSAN583/6S	LCB Link Pipe - LCB to Silencer
	SPDLF-SSAN583/1S	Cat Link Pipe CAT to Silencer



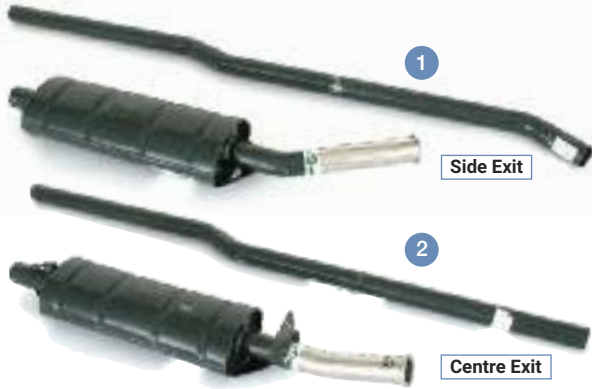


# MANIFLOW



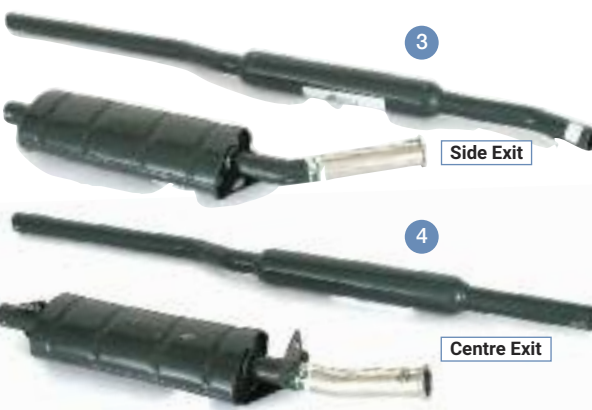
The name renowned in the racing world, with over 40 years experience, producing Manifolds & Systems of highest quality. Craftsmen manufacture all Systems and Manifolds to "perfection". Special attention is paid to all joints & welds, so the required back pressure & "ultimate" gas flow is obtained.

### Single Box LCB Exhaust Systems - Single Tailpipe



1	LS001A	1 3/4" Bore Single Box	Side Exit
2	LS001B	1 3/4" Bore Single Box	Centre Exit
	LS001VA	1 3/4" Van/ Estate Single Box	Side Exit
	LS004A	1 7/8" Bore Single Box	Side Exit
	LS004B	1 7/8" Bore Single Box	Centre Exit
	CLS005A	2" Bore Single Box	Side Exit
	CLS005B	2" Bore Single Box	Centre Exit

### Twin Box LCB Exhaust Systems - Single Tailpipe



3	LST001A	1 3/4" Bore Twin Box	Side Exit
4	LST001B	1 3/4" Bore Twin Box	Centre Exit
	LST001VA	1 3/4" Van/ Estate Twin Box	Side Exit
	LST004A	1 7/8" Bore Twin Box	Side Exit
	CLST005A	2" Bore Twin Box	Side Exit
	CLST005B	2" Bore Twin Box	Centre Exit

### SPECIAL Single Box LCB Exhaust Systems



Monza - 2 1/2" polished stainless steel rolled end tailpipe

5	LS001B/B	1 3/4" Boxter Single Box	Centre Exit
6	LS001AM	1 3/4" Monza Single Box	Side Exit
	LS001BM	1 3/4" Monza Single Box	Centre Exit

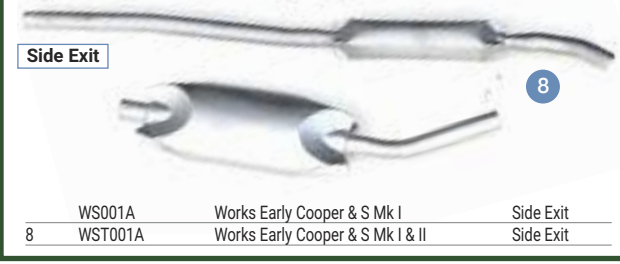
### RCM Exhaust Systems - LCB Single Tailpipe



RCM - Reverse Cone Megaphone

	RCM001A	RCM 1 3/4"	Side Exit
7	RCM001B	RCM 1 3/4"	Centre Exit

### Works Early Cooper Exhaust Systems



	WS001A	Works Early Cooper & S Mk I	Side Exit
8	WST001A	Works Early Cooper & S Mk I & II	Side Exit

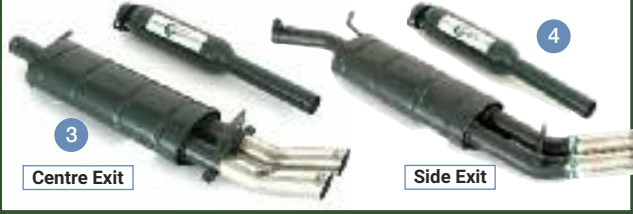
### Catalyst (CAT) Exhaust Systems - SPI, MPI & Carb



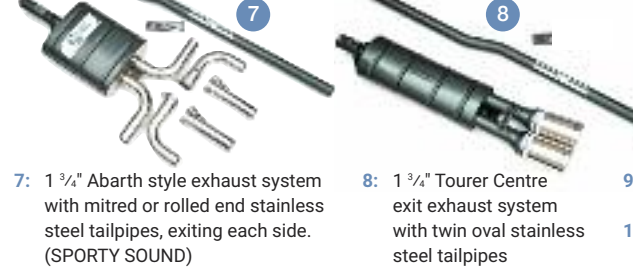
	LS004AI	1 7/8" Single Box SPI & Mpi	Side Exit
	LS004BI	1 7/8" Single Box SPI & Mpi	Centre Exit
	LS004AC	1 7/8" Single Box Carb Cat Back	Side Exit
	LS004BC	1 7/8" Single Box Carb Cat Back	Centre Exit
1	LST004B	1 7/8" Twin Box	Centre Exit
2	LST004AI	1 7/8" Twin Box SPI & Mpi	Side Exit
	LST004BI	1 7/8" Twin Box SPI & Mpi	Centre Exit
	LST004AC	1 7/8" Twin Box Carb Cat Back	Side Exit
	LST004BC	1 7/8" Twin Box Carb Cat Back	Centre Exit

### Twin Tailpipe

	LS004AIDTM	1 7/8" One Box Side Exit DTM	Spi/Mpi
3	LST004AIDTM	1 7/8" Two Box Side Exit DTM	Spi/Mpi
	LS004BIDTM	1 7/8" Single Box Centre Exit DTM	Spi/Mpi
4	LST004BIDTM	1 7/8" Two Box Centre Exit DTM	Spi/Mpi



### Unique Exhaust Systems - Special Order



- 7: 1 3/4" Abarth style exhaust system with mitred or rolled end stainless steel tailpipes, exiting each side. (SPORTY SOUND)
- 8: 1 3/4" Tourer Centre exit exhaust system with twin oval stainless steel tailpipes
- 9: 1 3/4" Centre exit Mini Miglia lookalike exhaust system



### Single Box LCB Exhaust Systems - Twin Tailpipe



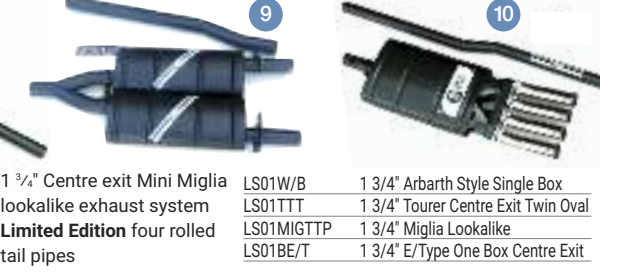
	LS001ATTP	1 3/4" Single Box	Side Exit
	LS001BTTP	1 3/4" Single Box	Centre Exit
1	LS001ADTM	1 3/4" Single Box	Side Exit DTM
2	LS001BDTM	1 3/4" Single Box	Centre Exit DTM

### Twin Box LCB Exhaust Systems - Twin Tailpipe



3	LST001ATTP	1 3/4" Twin Box	Side Exit
4	LST001BTTP	1 3/4" Twin Box	Centre Exit
	LST001ADTM	1 3/4" Twin Box	Side Exit DTM
	LST001BDTM	1 3/4" Twin Box	Centre Exit DTM

### Unique Exhaust Systems - Special Order



- 10: Limited Edition four rolled tail pipes
- |  |            |                                     |
|--|------------|-------------------------------------|
|  | LS01W/B    | 1 3/4" Arbarth Style Single Box     |
|  | LS01TTT    | 1 3/4" Tourer Centre Exit Twin Oval |
|  | LS01MIGTTP | 1 3/4" Miglia Lookalike             |
|  | LS01BE/T   | 1 3/4" E/Type One Box Centre Exit   |

# MANIFLOW





# SuperFlow Exhausts



Side Exit



The Superflow range of exhaust systems by Mini Sport, allow "Ultimate" gas flow, which increases power and produces a tuned exhaust note. A very popular system, twin box design with stainless steel rolled end tail pipe, with side or centre exit options for LCB or CAT fitments.

### Catalyst Exhausts (SPi, MPI & Carb models)

PHBST400C	Side Exit System	CAT Back
PHBST400STR/C	Centre Exit System	CAT Back

### LCB Exhausts (Fit to LCB Manifolds)

PHBST400	Side Exit System inc Front Pipe	LCB Back
PHBST400STR	Centre Exit System inc Front Pipe	LCB Back
PHBST400S	Side Exit System to Suit Van/Estate	LCB Back
PHBSPD708M	Superior LCB Manifold	



Centre Exit

See page 89 for all exhaust mountings

### Recommended

As used on Mini Sport Tuning Kits. See Pages 74-75

Mini Sport Performance Tuning Kits significantly improve every carburettor and injection Mini. All have been developed to achieve significant power increase, improved acceleration, and top speed with better fuel consumption, whilst still maintaining engine reliability.



# Sportex

All Sportex exhausts are manufactured to the highest standards, giving significant power gains and greater style than the original systems. Made entirely from top quality aluminised mild steel giving a more rounded sound, rapid heat dispersal and greater shock resistance. Each tailpipe is finished in mirror polished 304 stainless steel which gives a long lasting, stylish and clean finish.

### Sportex CAT Back Exhaust Systems

1	PHBXT45S2	Single 2" Side Exit System	Fits CAT Back
	PHBXT45S3	Single 3" Side Exit System	Fits CAT Back
	PHBXT36S30	Single 3" Centre Exit System	Fits CAT Back
	PHBXT39BOX	Oval - Boxster Style System	Fits CAT Back
	PHBXT37S3	Single 3" Side Exit System	Fits CAT Back
2	PHBXT46S2	Single 2" Dual Exit System	Fits CAT Back
	PHBXT46S3	Single 3" Dual Exit System	Fits CAT Back
	PHBXT46OVAL	Oval Dual Exit System	Fits CAT Back



2

3	PHBXT47S2	Single 2" - Centre Exit System	Removes CAT
	PHBXT47S3	Single 3" - Centre Exit System	Removes CAT
	PHBXT48DTM3	Twin DTM 2.75" - Centre Exit System	Removes CAT
	PHBXT49BOX	Oval - Boxster Style System	Removes CAT
	PHBXT50S2	Single 2" Dual Exit System	Removes CAT
	PHBXT50S3	Single 3" Dual Exit System	Removes CAT
	PHBXT50OVAL	Oval Dual Exit System	Removes CAT



3

### Sportex Rally Exhaust Systems

Designed for competition to give maximum performance, without fancy tailpipes or designs

4	PHBPPS1	Centre Exit, Single Silencer System	Fits LCB Manifold
	PHBPPS3	Centre Exit, Twin Silencer System	Fits LCB Manifold
	PHBPPS2	Side Exit, Single Silencer System	Fits LCB Manifold
5	PHBPPS4	Side Exit, Twin Silencer System	Fits LCB Manifold



4



2" Side Exit Single Box System fits 3 Branch Manifold

### Single 2" Stainless Steel Tailpipes

	PHBxB5S2	998cc Rear Side Exit - Silencer	Fits to Original System
6	PHBXT42S2	Single Silencer Side Exit System	Fits 3 Branch Manifold
7	PHBxB1S2	998cc Rear Centre Exit - Silencer	Fits to Original System
	PHBXT27S2	Single Silencer Side Exit System	Fits LCB Manifold
	PHBXT10S2	Single Silencer Centre Exit System	Fits LCB Manifold
	PHBXT11S2	Twin Silencer Centre Exit System	Fits LCB Manifold
	PHBXT28S2	Twin Silencer Side Exit System	Fits LCB Manifold

### Single 3" Stainless Steel Tailpipes

8	PHBxB6S3	998 Rear Side Exit - Silencer	Fits to Original System
	PHBxB4S3	998 Rear Centre Exit - Silencer	Fits to Original System
	PHBxB10S3	998 Rear Centre Exit - Silencer	Fits to Original System
	PHBXT10JAP3	998 Jap Style Centre Exit - Silencer	Fits to Original System
	PHBXT43S3	Single Silencer Side Exit System	Fits 3 Branch Manifold
	PHBXT21S3	Single Silencer Centre Exit System	Fits LCB Manifold
	PHBXT29S3	Single Silencer Side Exit System	Fits LCB Manifold
	PHBXT22S3	Twin Silencer Centre Exit System	Fits LCB Manifold
	PHBXT30S3	Twin Silencer Side Exit System	Fits LCB Manifold

### Twin Round Centre Exit Stainless Tailpipes

9	PHBxB2T2.25	998 Rear - Silencer - Twin 2.25"	Fits to Original System
10	PHBxB8T3	998 Rear - Silencer - Twin 3"	Fits to Original System
	PHBXT12T2	Single Silencer System - Twin 2.25"	Fits LCB Manifold
	PHBXT13T2	Twin Silencer System - Twin 2.25"	Fits LCB Manifold



11



12

### Twin DTM Centre Exit Stainless Tailpipes

11	PHBxB3DTM2	998 Rear - Silencer - Twin 2"	Fits to Original System
12	PHBXT17DTM2	Single Silencer System - Twin 2"	Fits LCB Manifold
	PHBXT18DTM2	Twin Silencer System - Twin 2"	Fits LCB Manifold

### Single Oval Centre Exit Stainless Tailpipes

13	PHBxB9BOX	998 Rear - Silencer	Fits to Original System
14	PHBXT34BOX	Single Silencer System	Fits LCB Manifold
	PHBXT35BOX	Twin Silencer System	Fits LCB Manifold

### Dual Exit Stainless Steel Tailpipes

	PHBxB11S2	998 Rear - Silencer - Dual 2"	Fits to Original System
15	PHBxB11S3	998 Rear - Silencer - Dual 3"	Fits to Original System
	PHBxB11OVAL	998 Rear - Silencer - Dual Oval	Fits to Original System
	PHBXT40S2	Single Silencer System - Dual 2"	Fits LCB Manifold
	PHBXT40S3	Single Silencer System - Dual 3"	Fits LCB Manifold
16	PHBXT40OVAL	Single Silencer System - Oval	Fits LCB Manifold
	PHBXT41S2	Twin Silencer System - Single 2"	Fits LCB Manifold
	PHBXT41S3	Twin Silencer System - Single 3"	Fits LCB Manifold
	PHBXT41OVAL	Twin Silencer System - Oval	Fits LCB Manifold



7

Centre Exit, Single 2" Tailpipe



8

Side Exit, Single 3" Tailpipe



9

Centre Exit, Twin 2" Tailpipes



10

Centre Exit, Twin 3" Tailpipes



13

Centre Exit, Oval Boxter Tailpipe



14

Centre Exit, Boxter Tailpipe



15

Dual Exit, 3" Tailpipes



16

Dual Exit, Dual Exit Oval Tailpipe







HS2 & HS4 Service Components

HS2 Carburettor Service Components

1a	GG (AUD1211)	Lean Needle .090in Jet Needle (fixed)
1b	EB (AUD1149)	Standard Needle .090in Jet Needle (fixed)
1c	M (AUD1261)	Rich Needle .090in Jet Needle (fixed)
2	AUC4387	Piston Spring RED
3	AUC8103	Damper Cap
4	AUD9098	Jet Assembly .090in
5	VZX1100	Needle & Seat Kit
6	WZX1300	Float Kit
7	WZX1310	Throttle Spindle Kit
8	WZX1320	Throttle Disc Kit
9	AUE962	Gasket Pack
10	CSK51	Service Kit - For HS2 Carburettors
11	CRK104	Rebuild Kit - For HS2 & HS4 Carburettors
12	AUC1281	Air Inlet Gasket
13	AUC4275	Manifold Flange Gasket
15	WZX980	Idle Adjusting Screw Kit
16	WZX1259	Piston Guide Key Kit
18	JZX1394	Suction Chamber Screws
22	WZX1287	Float Lid Screw Kit
24	AUC8459X	Float Lid Gasket
25	AUC1152	Float Spindle
28c	AUC1329	Washer
29	AUC1358	Throttle Disc Screws
31	WZX980	Fast Idle Screw Kit
33	AUC1424	Throttle Spindle Nut
39	JZX1328	Lost Motion Lever
40	AUE587	Interconnection Lever - Right Hand
41	AUE586	Interconnection Lever - Left Hand
47	AUC4900	Damper Cap Washer
48	AUD3080	Throttle Spindle Bush (Not Illustrated)

Gaskets



AUC1281	HS2 Air Inlet Gasket 1 1/4"
AUC4275	HS2 Manifold Flange Gasket 1 1/4"
12H1389	HS4 Spacer Block Alloy - 13.5mm
134936	HS2 Insulation Gasket - 5mm
AUC1282	HS4 Air Inlet Gasket 1 1/2"
AUC1283	HS6 Air Inlet Gasket 1 3/4"
AUD2219X	HS4/ HIF38 Manifold Flange Gasket 1 1/2"
GUG705561GM	HS6/ HIF44 Manifold Flange Gasket 1 3/4"
12H712	HS4 Insulation Gasket - 30mm
GUG705964GM	HS6 Insulation Gasket - 13mm

1.25" HS2 SU Carburettors



A	MS2900	1.25" HS2 LHIC (std)
B	MS2901	1.25" HS2 RHIC
	MS2910	Pair 1.25" HS2 SU's - LH and RH

Twin SU 1.25" HS Carburettor Kit includes alloy inlet manifold, stainless steel heat shield, linkages, braided fuel pipes, pancake air filters, needles and springs.



C MS2952 Twin 1.25" HS2 kit - inc Filters

1.5" HS4 SU Carburettors



A	MS2902	1.5" HS4 LHIC (std)
B	MS2903	1.5" HS4 RHIC
	MS2911	Pair 1.5" HS4 SU's - LH and RH

Twin SU 1.5" HS Carburettor Kit includes alloy inlet manifold, stainless steel heat shield, linkages, braided fuel pipes, pancake air filters, needles and springs.



C MS2953 Twin 1.5" HS4 Kit - inc Filters

HS4 Carburettor Service Components

1b	AAC (CUD1002)	Standard Jet Needle .090"
2	AUC 4387	Piston Spring Red
3	AUC8103	Damper Cap
4	AUD9142	Jet Assembly - Black
4	LZX 1111	Jet Assembly - Waxstat
5	VZX 1100	Needle & Seat Kit
6	WZX 1300	Float Kit
7	WZX 1177	Throttle Spindle Kit
8	WZX 1324	Throttle Disc Kit
9	AUE964	Gasket Pack
10	CSK 52	Service Kit - Black Jet
10	CSK 65	Service Kit - Waxstat Jet
11	CRK 251	Rebuild Kit - Black Jet
11	CRK 121	Rebuild Kit - Waxstat
12	AUC 1282X	Air Inlet Gasket
13	AUD 2219X	Manifold Flange Gasket
15	WZX 980	Idle Adjusting Screw Kit
16	WZX 1259	Piston Guide Key Kit
18	JZX 1394	Suction Chamber Screws
22	WZX 1287	Float Lid Screw Kit
24	AUC 8459X	Float Lid Gasket
25	AUC 1152	Float Spindle
28c	AUC 1329	Washer
29	AUC 1358	Throttle Disc Screws
31	WZX 980	Fast Idle Screw Kit
33	AUC 1424	Throttle Spindle Nut
39	JZX 1328	Lost Motion Lever
40	AUE 587	Interconnection Lever - Right Hand
41	AUE 586	Interconnection Lever - Left Hand
47	AUC 4900	Damper Cap Washer
48	AUD 3080	Throttle Spindle Bush (Not Illustrated)

1.75" HS6 SU Carburettors

The HS6 Carburettor was never fitted to the Mini but can be used as an upgrade to your existing HS2 or HS4 version. Increases in air volume and fuel leads to increased performance. Recommended for performance engines but can be fitted to the standard 1275cc also.



A	MS2905	1.75" HS6 RHIC
B	MS2904	1.75" HS6 LHIC (std)
	MS2912	Pair 1.75" HS6 SU's - LH and RH

SU Accessories & Tools

A range of special tools and books to help service your carburettors



SUT 1	Carburettor Needle Jet and Seat Spanner
SUT2	Carburettor Jet Adjusting Spanners (x2)
AUE670	SU Tool Kit (2x Spanners & 1x Socket)
ABF654	Air Flow Meter Type SK, Rubber Cone that Fits Inside Ram Pipes and Intake Bores of 1 5/8" - 2 1/8" (40mm - 55mm) without Adaptor
ABF185	Throttle Spindle Bush Fitting Tool
ALT9601	SU Needle Chart Book
ALT9525	SU Workshop Manual
BDR125SINGLE	Damper Oil SAE Grade 20
HAY10240	Haynes Carburettor Manual

HIF44 Conversion Kit

Comprises of a HIF44 Carburettor with inlet manifold, abutment bracket, spacer and all required fittings. Just add the air filter of your choice.



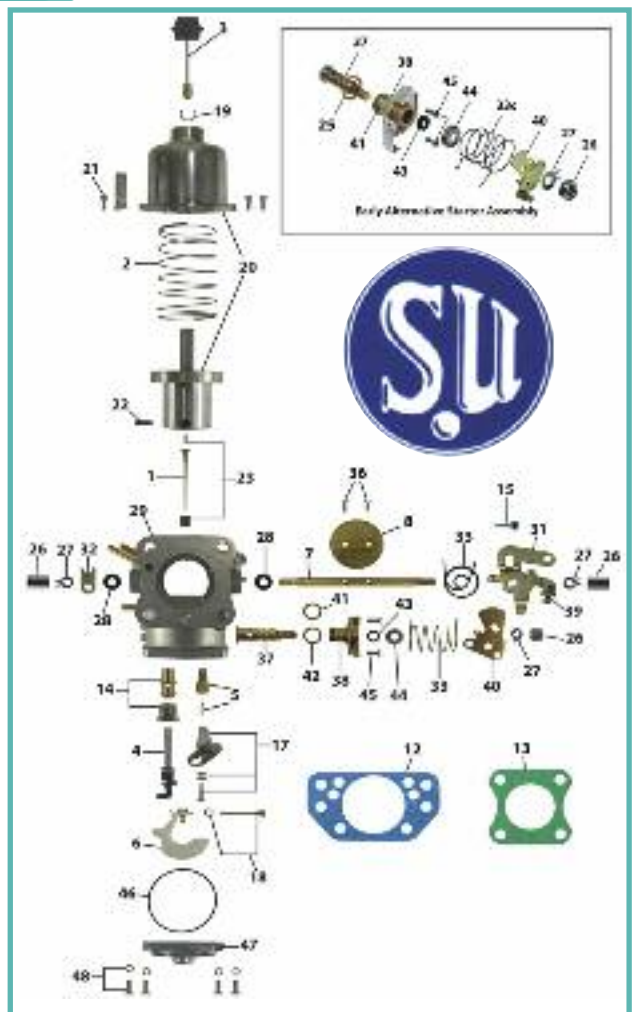
MS2908FULL	HIF44 Complete Conversion Kit
MS2908KIT	HIF44 Carb and Linkage Only





Carburetors & Fuelling

Carburetors & Fuelling



### HIF38/44 Carburettor Service Parts - 1990 on

**HIF38 1.5" Carburettor** - fitted to Mini 1.3 '92 on with closed loop catalyst system.

**HIF44 1.75" Carburettor** - fitted to Mini Cooper 1.3 '90 on with closed loop catalyst system.

1b	AEM (NZX4036)	Standard Jet Needle .090" (Spring type)	HIF38
1b	BFY (NZX8071)	Standard Jet Needle .100" (Spring type)	HIF44
2	AUD4355	Piston Spring - RED	HIF38/HIF44
3	LZX2085	Damper Cap	HIF44
3	LZX1511	Damper Cap	HIF38
4	WZX1453	Jet Assembly Kit	HIF44
4	WZX1455	Jet Assembly Kit	HIF38
5	VZX1099	Needle & Seat Kit	HIF38/HIF44
6	WZX1509	Float Kit	HIF38/HIF44
7	WZX1128	Throttle Spindle Kit	HIF44
7	WZX1264	Throttle Spindle Kit	HIF38
8	WZX1414	Throttle Disc Kit	HIF44
8	WZX1387	Throttle Disc Kit	HIF38
9	AUE970	Gasket Pack	HIF44
9	AUE971	Gasket Pack	HIF38
10	CSK75	Service Kit	HIF44
10	CSK78	Service Kit	HIF38
11	CRK167	Rebuild Kit	HIF44
11	CRK274	Rebuild Kit	HIF38
12	12H4271B	HIF6/44 Air Inlet Gasket 1 3/4"	HIF44
12	AUD4705	HIF4/38 Air Inlet Gasket 1 1/2"	HIF38
13	GUG705561GM	HS6 Manifold Flange Gasket 1 3/4"	HIF38/HIF44

### 1.5" HIF38 / 1.75" HIF44 SU Carburetors



- A MS2906 1.5" HIF38 (38mm)
- B MS2908 1.75" HIF44 (44mm)

### 1.75" HIF44 SU Carb Kit

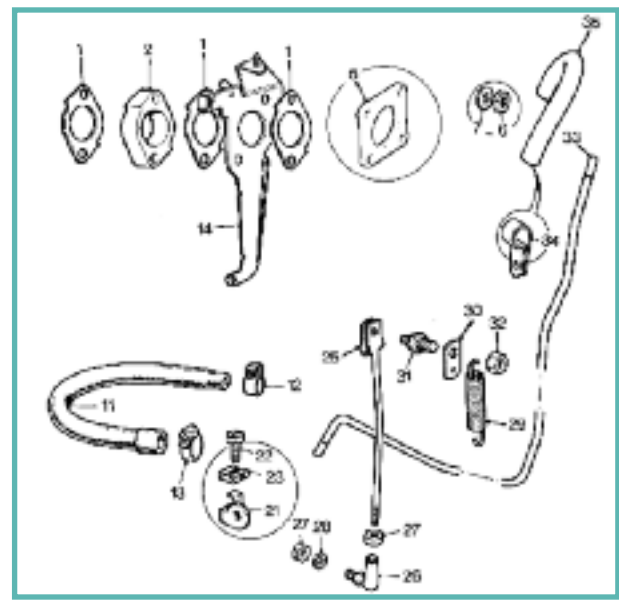
Single HIF44 1.75" SU replacement carburettor complete with throttle linkage, gaskets, cable clip & pin, ready to fit.

Supplied to original specification as fitted to 1275cc Minis and Mini Coopers' from 1990-1994.

14	WZX1441	Jet Bearing Kit	HIF38/HIF44
15	WZX1255	Mixture Screw Kit	HIF38/HIF44
16	WZX1256	Idle Adjusting Screw Kit (Not Illustrated)	HIF38/HIF44
17	WZX1257	Bi-Metal Assembly Kit	HIF38/HIF44
18	WZX1258	Float Spindle Kit	HIF38/HIF44
19	JZX1586	Circlip	HIF38/HIF44
21	JZX1394	Suction Chamber Screws	HIF38/HIF44
23	WZX1274	Needle Guide Kit	HIF38/HIF44
25	AUD3605	Clamp Plate Gasket	HIF38/HIF44
26	AJD8104	Throttle Spindle Nut	HIF38/HIF44
27	AUD3323	Tab Washer	HIF38/HIF44
28	JZX1994	Throttle Spindle Seal	HIF38/HIF44
28	AUD3577	Throttle Spindle Seal - Early Type	HIF38/HIF44
29	AUD3080	Throttle Spindle Bush (Not Illustrated)	HIF38/HIF44
36	AUC1358	Throttle Disc Screws	HIF38/HIF44
37	CUD2791	Starter Spindle	HIF38/HIF44
39	WZX1269	Lever / Fast Idle Screw Kit	HIF38/HIF44
43	AUD3577	Spindle Seal	HIF38/HIF44
44	AUD4217	Spring Support	HIF38/HIF44
45	AUD3606	Retaining Screws	HIF38/HIF44
46	AUD3588	Float Lid Seal	HIF38/HIF44
47	JZX1005	Float Lid	HIF38/HIF44
48	WZX1268	Float Lid Screw Kit	HIF38/HIF44
49	AUD4099	Cable Clamp Screw (Not Illustrated)	HIF38/HIF44

### Gaskets, Spacers & Insulation Blocks

AUD4705	HIF38 Air Inlet Gasket 1 1/2"	
12H4271B	HIF44 Air Inlet Gasket 1 3/4"	
AUD2219X	HIF38 Manifold Flange Gasket 1 1/2"	
GUG705561GM	HIF44 Manifold Flange Gasket 1 3/4"	
GUG705964GM	HIF44 Insulation Gasket - 11mm	



### Carburettor Mounting Components

1	ADU2219X	HS4 carb gasket	
2	12H1329	13.5mm HS4 spacer	
5	GUG705561GM	HIF44 gasket	
6	GHF201	Nut - Carburettor to Manifold	
7	GHF1114	Plain Washer	
11	12A 1735	Breather Pipe - Oil Breather to Carburettor	
12	JUB000	Clip - Connection to Carburettor	
13	JUB00	Clip - Connection to Oil Separator	
14	12G766	Bracket - Throttle Abutment HS4	NLA
14a	CAM4942	Bracket - Throttle Control HIF44	NLA
22	JZX1846	Screw - Lever Adjusting	
23	AUD4771	Clip - Screw Locking	
25	DAM8393	Rod - Throttle Control Automatic '85-'94	NLA
26	12G2006	Joint - Ball	NLA
27	GHF206	Nut - Ball Joint to Rod or Crank	
28	LWZ303	Spring Washer	
29	21A839	Spring - Throttle Return - Manual Single Carb	
	AEC2075	Spring - Throttle Return - Twin Carb	
30	12A1282	Tag - Anchor	
31	12A1283	Pin - Throttle Lever	
33	37H6844M	Hose - Vent Pipe to Carburettor	
34	PCR411	Clip - Vent Pipe	
35	MAP10055	Pipe - Vent	
36	AUE34	Solderless Nipple - Throttle & Choke Cable	

### Throttle Jet Assemblies

AUD9141	Main Throttle Jet - RH - .090" - Black	
1	AUD9142	Main Throttle Jet - LH - .090" - Black
	AUD9148	Main Throttle Jet - RH - .100" - Black
2	AUD9149	Main Throttle Jet - LH - .100" - Black
	LZX1111	Main Throttle Jet - LH - .090" - Waxstat
	LZX1119	Main Throttle Jet - LH - .100" - Waxstat
3	AUE1111	Conversion - Waxstat(Metal) to Standard (Plastic) Jet

### Twin SU Carburettor Kits

Twin SU Carburettor Kits include alloy inlet manifold, stainless steel heat shield, linkages, braided fuel pipes, pancake air filters, needles and springs.

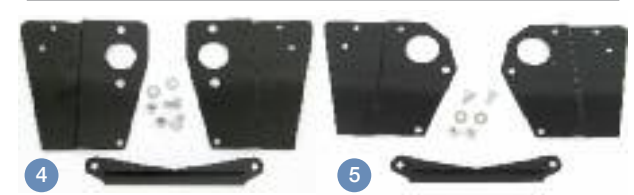


- MS2952 Twin 1.25" HS2 Kit - inc Filters
- 1 MS2953 Twin 1.5" HS4 Kit - inc Filters

### Twin SU Carburetors & Linkages



MS2910	Pair 1.25" SU Carburetors - LH and RH	HS2
2 MS2911	Pair 1.5" SU Carburetors - LH and RH	HS4
3 MS2912	Pair 1.75" SU Carburetors - LH and RH	HS6



4	ABF168	Heat Shield Kit - Twin 1.25" HS2 SU Type
5	ABF169	Heat Shield Kit - Twin 1.5" HS4 SU Type
6	MSLPM13C	Heat Shield Kit - Twin 1.75" HS6 SU Type



WZX872	Linkage Kit Throttle/ Choke - Twin 1 1/4"	HS2
7 WZX873	Linkage Kit Throttle/ Choke - Twin 1 1/2"	HS4
WZX874	Linkage Kit Throttle/ Choke - Twin 1 3/4"	HS6

### SU Twin Carburettor Service Kits

8	CRK101	Rebuild Kit for Twin HS2 Carbs
	CRK249	Rebuild Kit for Twin HS6 Carbs
	GMCCSK59	Service Kit - Twin HS2 or HS4 Carbs
	GMCCSK55	Service Kit - Twin HS6 Carbs
	CRK254	Rebuild Kit for Twin HS4 Carbs





SU Carburettor Needle Profile Recommendation Chart

Fixed Type Needle - Early Mini models to '75

This chart show the best recommendations for standard engines fitted with the carburettor type listed. If you have a modified engine and find that your engine is not running correctly, please contact our sales team who can advise you on the best needle set up. Or book a session on our Rolling Road to achieve the best results, optimised power, performance and efficiency for your Mini.

Spring Type Needle - Mini models '75 on

Table with columns: Mini Model by Engine Size, Year, Carburettor Type, Needle Profile Codes (Weak, Standard, Rich), Spring, Jet, Stage 1 Tuning kit - Needle. Lists various engine models and their recommended needle and jet specifications.

Throttle Control Components

Table listing throttle control components such as Pedal - Accelerator - RHD, Locknut - RHD, Washer - Spring - LHD, etc., with part numbers and specifications.



Table listing throttle cables with part numbers and specifications, including Mk1/2 ST Type - Throttle Cable and Throttle Cable - HS Carbs.

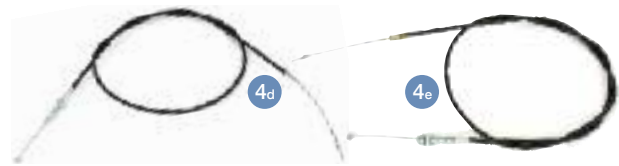
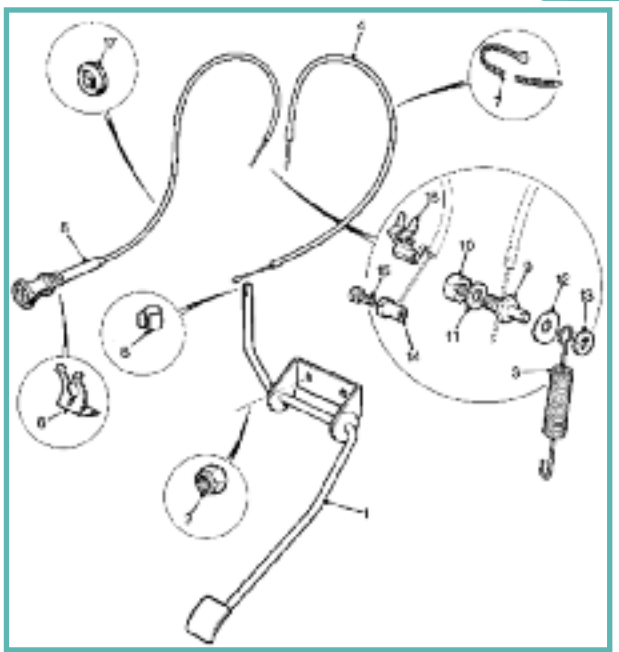


Table listing throttle cable trunnions and related parts with part numbers and specifications.



Table listing throttle and choke cable accessories like Strap - Accelerator Cable Tie, Clip - Cable Retaining, etc., with part numbers and specifications.



Rolling Road Tuning for your Mini!

Engine tuning has never been a more scientific process than it is today, with more emphasis being placed on the laptop and the microchip than on the screwdriver and length of tubing. To make the most of the technology available, it is necessary for specialist tuners to run a car under road conditions, to verify how much better an engine is performing as adjustments are made.



The microprocessor computer unit uses a graphic and digital display, measuring all parameters to allow our technicians to correctly tune your car to get the optimum power and performance. When the tuning process is complete, the computer prints the final results onto a power diagnostic chart, showing all the measured values of wheel power, engine power, drag power, engine torque, CO, CO2, HC, O2, Lambda, max RPM and max speed.

To experience our complete sphere of expertise, book your session on the rollers today and let us help your Mini to achieve its optimum power, performance and efficiency. Contact us for an appointment and details

Carburettors & Fuelling

Carburettors & Fuelling

Alloy Inlet Manifold - Single Carbs



Performance cast alloy inlet manifold to suit HS4, HS6, HIF38 and HIF44 SU carburettors. Designed for better performance, by increasing airflow, perfect to use in conjunction with LCB manifolds and performance exhaust systems. This is the same inlet manifold as used in our Stage 1/2/3 Tuning Kits and is a very popular tuning addition to any Mini. Suit 998cc/1098cc/1275cc carburettor Minis.



Table listing manifold components with part numbers and descriptions: GMC3000 Alloy Inlet Manifold, ADP210 Inlet Manifold Bung, 51K1177 Long Brass Manifold Nut, 53K487 Manifold Stud, 12A1211 Manifold Clamping Washer, GFK3436 Standard Brass Manifold Nut.

Inlet Manifolds - Twin Carbs



Table listing twin carburettor inlet manifolds with part numbers and descriptions: AUE1014 Twin 1.25" HS2 SU Type, AUE1015 Twin 1.5" HS4 SU Type, LI49 Twin HS4, HS6, HIF38, HIF44, LI53 Weber DCOE.

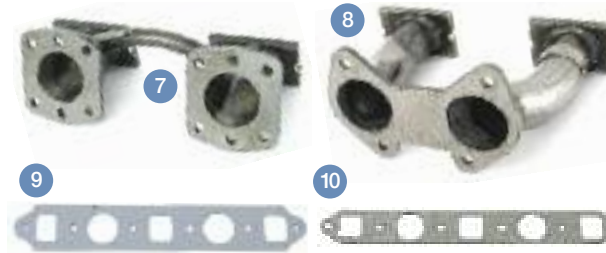


Table listing manifold gaskets with part numbers and descriptions: AJM601 Manifold Standard Gasket, C-AHT381 Manifold Large Port Gasket, LKJ100580EVA Manifold Injection Gasket.





Carburetors & Fuelling

Carburetors & Fuelling

# WEBER CARBURETORS

## Weber Carburetors & Kits

Complete kit includes:- 40 or 45 DCOE carb, performance alloy inlet manifold (2", 4" or 6" length) and linkage kit.



WBB40DCOE	40 DCOE Weber Carburettor
WBB45DCOE	45 DCOE Weber Carburettor
WBBMS2965	Weber 40 DCOE Kit
WBBMS2966	Weber 45 DCOE Kit

## Inlet Manifolds



Alloy inlet manifolds to suit Weber carburetors for Mini, available in three lengths 2.5", 4" or 6". Longer inlets produce more performance but modifications are required. (2.5" direct fitment)

3	GMC4040	DCOE Weber 2" Inlet Length	Alloy
	GMC4050-45	DCOE Weber 4" Inlet Length	Alloy
	GMC4030-45	DCOE Weber 6" Inlet Length	Alloy
	GMC4050-45C	Competition 4" DCOE	Manifold
	GMC4030-45C	Competition 6" DCOE	Manifold
4	LI53	Weber DCOE 7" Inlet Length	Manifold
	LI51R	Weber DCOE 2.75	Manifold

## Weber Service & Linkage Kits



Genuine Weber 38/40/45 DCOE Service Kit contains gaskets, seals, pump jet washers, filter, needle valve (175), 2 mixture screws & float pin. An exploded parts diagram will be included with the kit. Please note that service kits do not include jets, however these are available separately, please ask for your requirements.

1	WBB9300270500	Weber 28/36 DCD	Service Kit
1	WBB9300150500	Weber 40/45 DCOE	Service Kit

Weber throttle linkage for DCOE/SP range of carburetors, LP 4000 range. It is bottom mounted under the carburettor, supplied with throttle cables & pedal block & full fitting instructions. Most important it contains the male & female balance bar levers for the carburetors.



	GMCLP4241	Single Weber DCOE	Linkage Kit
2	GMCLP 4000	Mini Sport 7 Port Head	Linkage Kit

## Ram Pipes & Air Filters



6	PCFC1152/3	45/40DCOE Trumpet Sock	Pipercross
	PCFC3101/C302D	Weber DCOE Domed	Pipercross
7	KNN561350	Weber 40/45 DCOE (Other Sizes Available)	K&N
8	WBBAH4516	Weber Ram Pipe - 16mm Length	Weber
9	WBBAFM4563	Weber Ram Pipe Filter	Weber
	PCFC1052	Trumpet Socks	Pair

## MPI Injection System

2	SLD100080	Kit - Potentiometer Accelerator - Detail of Assembly	
3	MI.Z100090	Stepping Motor with Housing - Complete	
4	MDQ100041	Motor - MPI Stepping - 5 Pin Connection	
5	JZX6187	Screw - Stepper Motor to Holding	
6	MAH100970	Hose Assembly - Carburetor/Multipoint Injection	
7	FS106257	Screw- Flanged Head - M6 x 25 4 0.53	
9	AAU6365	Tie - Cable	
	SMB178 MPI	Air Filter Bbracket	
	SMB22 SPI/MPI	Air Filter Buttons - Stainless Steel	
	SMB23 SPI/MPI	Air Filter Ring Finisher - Stainless Steel	
	SMBFK006	SPI/MPI Air Filter Screws	

## Cooper MPI Airbox Induction Pipe



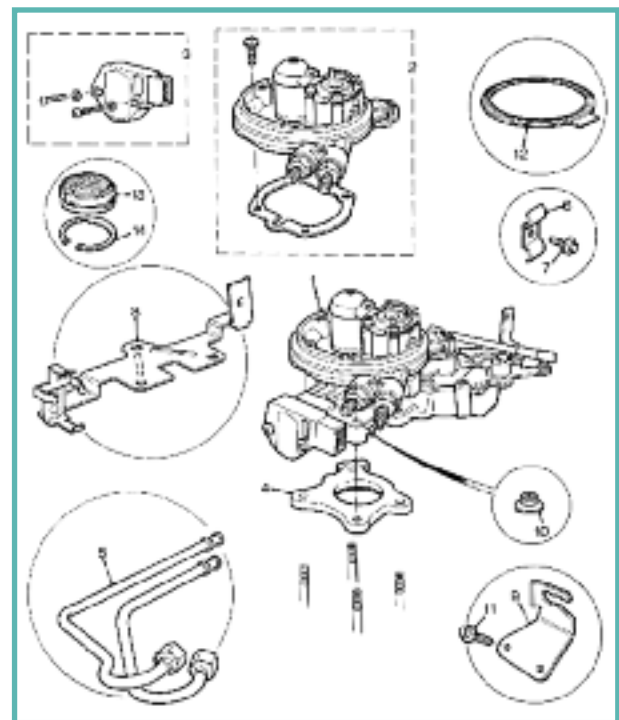
	MCPEN.AE	Cooper S Works Airbox Induction	Pipe Only
1	MCPEN.AEKIT	Cooper S Works Airbox Induction	Pipe Kit
2	MCPEN.BAE	Cooper S Works Alloy Airbox Induction	Pipe Only
	MCPEN.BAEKIT	Cooper S Works Alloy Airbox Induction	Pipe Kit

## SU Throttle Bodies - Mini MPI



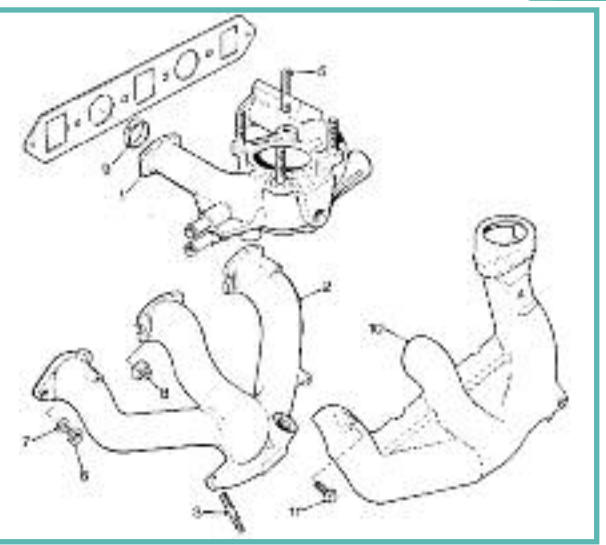
Larger throttle body for Twin Point Injection systems. A quick and relatively low cost performance boost, as much as 10% power gains have been Rolling Road proven.

ABF637	MPI 52mm - Performance Oversized Throttle Body
--------	--



## SPi Injection System Components

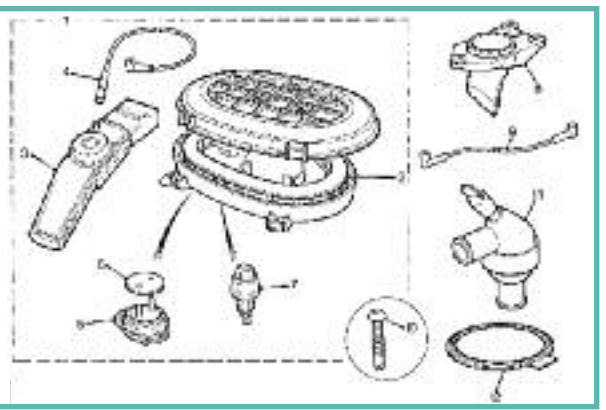
1	MLB10028	Throttle Body - Manual/Automatic	NLA
2	MMJ10004	Injector Assembly	NLA
	JZX3064	Gasket - Hydraulic Body to Body - Throttle Body	NLA
3	MMJ10003	Kit - Potentiometer	NLA
4	LZV1101	Packer Injector Tomanifold	NLA
5	WJV10030	Fuel Feed and Return Pipes	NLA
6	WJU10137	Clamp - Fuel Pipes	
7	FS106165	Screw - Clamp	
8	MHU10059	Bracket - Abutment	
9	WJU10136	Bracket - Rail	
10	FN 108041	Nut - Flanged- Throttle Body to Manifold	
11	FS106101	Screw - Abutment Bracket to Manifold	
12	PHN10011	Seal - Airbox to Throttle Body	
13	MED10003	Heater PTC - Inlet Manifold	
14	CR110551	Clip - Retaining - P.T.C Heater	
15	AAU6365	Tie - Cable - stepper Motor Loom	
	JZX2454	Adaptor - Potentiometer	
	MLH10026	Vacuum Pipe - Fuel Trap To ECU - SPi	



## SPi Injection Manifold Components

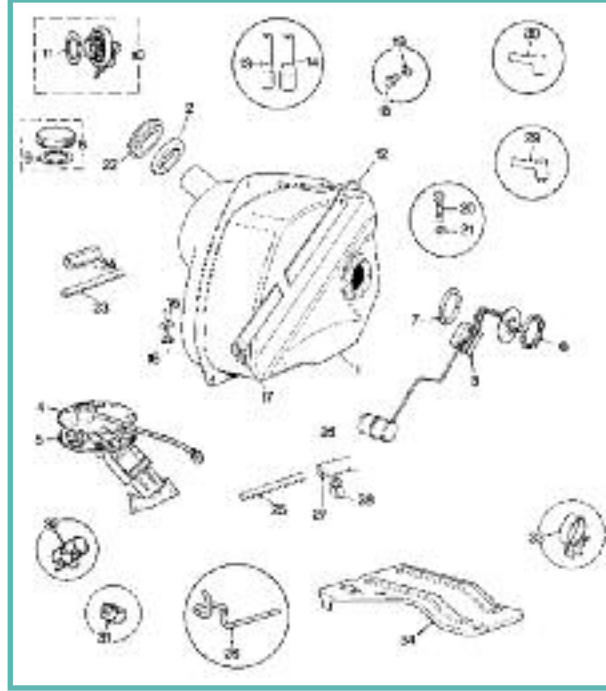
1	LKB10477	Manifold - Inlet	NLA
2	LKC10090	Manifold - Exhaust	
3	TD108051	Stud - Exhaust Manifold	
	LKJ100580EVA	Gasket - Manifold - Injection	
5	TE108071	Stud - Manifold to Packer	
6	GFK3436	Nut - Stud	
7	GFK1114	Washer - Plain	
8	LYH10008	Nut and Washer - Manifold Stud	
9	12G297	Ferrule - Inlet Manifold to Head	
10	LKK10025	Hot Box - Manifold	NLA
11	FS106101	Screw - Hot Box to Manifold	

## SPi Injection Air Filter Components



1	PHB10081	Air Cleaner Assembly	NLA
2	GFE1143	Element	
3	PHD10129	Duct - Elbow	NLA
4	PHP10027	Hose - Sensor to A.T.C.	NLA
5	ADU6109	Sensor - Thermal	NLA
6	UAM1828	Seal - Sensor	
7	NNK10001	Sensor - Air Temperature	
8	PHD10210	Duct - Hot Air	NLA
	PKE10002	Screw - Heatshield to Duct	
9	PHP10043	Pipe - Vacuum - Inlet Manifold	
10	PYP10018	Screw - Air Cleaner to Throttle Body	
11	LLN 10009	Valve - Assembly Depression Control	NLA
12	PHN10011	Seal - Air cleaner to Throttle	
	AAU 6365	Tie - Vacuum Pipe to Harness	
	SMB22	SPI/MPI Air Filter Buttons	Stainless Steel
	SMB23 SPI/MPI	Air Filter Ring Finisher	Stainless Steel
	SMBFK006	SPI/MPI air Filter Screws	





Fuel Tanks			
1	ARP1043	7.5 Gallon Fuel Tank Mini Carb Models '74-'90	LH
1a	WFE106090	Injection Fuel Tank	LH
1b	21A2183	5.0 Gallon Fuel Tank - Steel	RH
1c	21A291	Van, Traveller, Pick-up Fuel Tank	
	ARP1043MS	Fuel Tank - 7.5 Gallon - Mini '74-'90	
	WFE10401MS	Fuel Tank - 7.5 Gallon - Mini SPI '92-'96	
	WFE106090MS	Fuel Tank - 7.5 Gallon - Mini MPI '97-'00	



Fuel Tank Sender Units & Gaskets



3	XNB10007	Carb Type Fuel Sender Unit	
3a	AAU8340	Van/Estate Sender Unit	
3b	XNB100380	Injection Fuel Sender Unit ('92-'01)	
4	WFX100810	Mini Injection Fuel Pump - SPI and MPI	
5	EDP9317	Seal - Fuel Pump to Tank - SPI and MPI	
6	ARA1501	Locking Ring for Fuel Tank Sender Unit	
7	ARA1502	Sealing Rubber Ring for 7.5 Gallon Tanks	
7a	GUG705711GM	Cork Gasket for AAU8340	
	53K165	Screws for Van Tank Sender Unit (6 Required)	



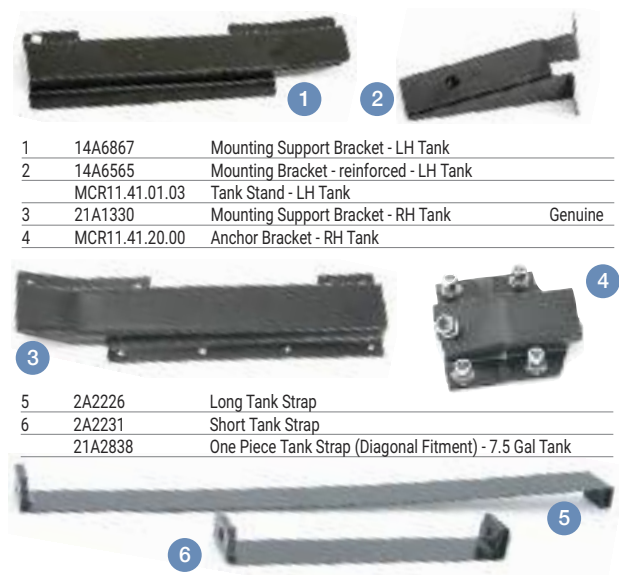
Fuel Tank Components

2	2A2069	Seal - Tank - Filler Neck	
9	21A2109	Washer - Sealing	
10	WLD100660	Filler Cap Assembly - Locking	Chrome
11	21A2109	Washer - Sealing	



12	CRC7575	Pipe - Vent - Fuel Tank (765mm long approx)	
16	21A2331	RH Fuel Tank Connecting Pipe	
18	GHF120	Screw - Retaining - Tank Strap to Floor	
	346071A	Nut - Retainer - Tank Strap to Floor	
	13H7583	Setscrew - 5/16" UNF - Tank Strap to Bracket	
19	GFK1125	Washer - Spring	
20	SH605161	Screw	
21	GFK1125	Washer - Spring	
22	14A7057	Grommet - Filler Tube to Body	
22	WGG100010	Grommet - Filler Tube to Body	
22	14A7057	Fuel Tank Rubber Neck Grommet - to '96	
22a	WGG100010	Fuel Tank Rubber Neck Grommet - MPI	
23	37H7148M	Pipe - Pump to Tank - 233.6cm (92")	
24	WZV10002	Sleeve - Pipe	
25	37H7615M	Hose - Tank to Pipe - 290mm	
26	WFH10066	Feed Hose - Tank to Underfloor Pipe	
35	GFE7059	Injection Fuel Filter - to VIN WD169573	
	WJN101192	Injection Fuel Filter - to VIN WD169574	
	SMB160	Fuel Filter Bracket - SPI and MPI	Stainless Steel
36	SMB161	Fuel Filter Bracket - SPI and MPI	Powder Coated

Fuel Tank Mountings



1	14A6867	Mounting Support Bracket - LH Tank	
2	14A6565	Mounting Bracket - reinforced - LH Tank	
	MCR11.41.01.03	Tank Stand - LH Tank	
3	21A1330	Mounting Support Bracket - RH Tank	Genuine
4	MCR11.41.20.00	Anchor Bracket - RH Tank	

5	2A2226	Long Tank Strap	
6	2A2231	Short Tank Strap	
	21A2838	One Piece Tank Strap (Diagonal Fitment) - 7.5 Gal Tank	

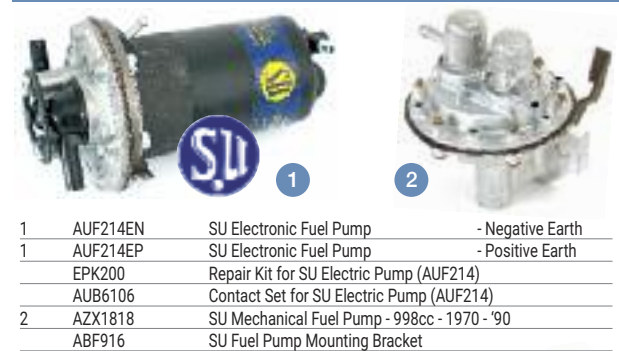
Power Boost Valve - MPI Mini

Designed for Multi Point Injection (MPI) Minis, to enrich fueling, to smooth out engine performance, increased acceleration and performance. The perfect addition to exhausts, air filter and engine performance upgrades.



FACVK384MGF1H	Suit Standard or Modified 1.3 MPI Engines
---------------	---

Fuel Pumps



1	AUF214EN	SU Electronic Fuel Pump	- Negative Earth
1	AUF214EP	SU Electronic Fuel Pump	- Positive Earth
	EPK200	Repair Kit for SU Electric Pump (AUF214)	
	AUB6106	Contact Set for SU Electric Pump (AUF214)	
2	AZX1818	SU Mechanical Fuel Pump - 998cc - 1970 - '90	
	ABF916	SU Fuel Pump Mounting Bracket	

3	AUF812	Mechanical Fuel Pump -	'70 on
4	AUF214	Electric Pump	to '70
	2A265	Pump Blanking Plate - Cylinder Block	
	WFX100810	Injection Pump and Filter Fits Inside Tank	
5	FACITP050	MPI Mini Replacement Fuel Pump Only	
	FACITP051	SPI Mini Replacement Fuel Pump Only	



Facet Cube Solid State Fuel Pumps



Road - 12 gallon per hour, 2.5-3 PSI, up to 130BHP, 1/8" NPTF	
FACSS501	Pump Only
FAC40105K	Kit (See photo)
Fast Road - 18 gallon per hour, 4-5.5 PSI, up to 150BHP, 1/8" NPTF	
FACSS502	Pump Only
FAC40106K	Kit (See photo)
Competition - 23 gallon per hour, 6-7 PSI, up to 180BHP, 1/8" NPTF	
FACSS503	Pump
FAC40185K	Kit (See photo)

Facet Gold-Flo Solid State Fuel Pumps



Reliability: The new Gold-Flo Solid State Fuel Pump is an enhanced version of our Interrupter model.	
<b>Easy to Install - Easy to Service:</b> Two bolt mounting makes installations easy. Nothing to adjust.	
Silver Top Road - 18 Gallon per hour, 4-4.5 PSI, up to 150BHP, 1/8" NPTF.	
FACST504	Pump Only
FAC476087K	Kit (See photo)
Silver Top Competition - 27 gallon per hour, 5-6 PSI, up to 200BHP, 1/8" NPTF	
FACSTC505	Pump Only
FAC480530K	Kit (See photo)
Red Top Competition - 35 gallon per hour, 6-7.25 PSI, 200+ BHP, 1/4" NPTF	
FACRTW506	Pump Only
FAC480532K	Kit (See photo)





Fuel Regulators & Filters



Petrol King (PK) - Fuel pressure regulator adjust to any setting - 1.5psi to 5psi. 1 FPR008 Petrol King Pressure Regulator - 67mm Unit - 8mm Tails

Filter King (FK) - Fuel pressure regulator with filter - popular for motorsport. 2 FPR004 Filter King with 67mm Glass Bowl - 6-8mm Tails. 3 FPR005 Filter King with 67mm Alloy Bowl - 8mm Tails. 4 FPR006 Filter King with 85mm Glass Bowl - 8mm Tails. 5 FPR007/G Filter King with 85mm Alloy Bowl & Guage - 8mm Tails. 6 FACRA001 Replacement Filter Element for FACFPR004/005. 7 FACRA002 Replacement Filter Element for FACFPR006. 8 FACRA005 Replacement Glass for FACFPR004



Filter King These are popular units because of the ability to regulate and filter fuel without restriction. Supplied with a mounting bracket, and available in 2 sizes with a choice of alloy or glass bowls.

Fuel Pump Accessories



6 FPA905 Rubber Mounting Kit - Includes Earth Strap. 7 FPA903/A Straight Brass Union - 1/8" NPTF 8mm Tail. 8 FPA903/B Straight Brass Union - 1/8" NPTF 6mm Tail. 9 FPA904/A Straight Brass Union - 1/4" NPTF 8mm Tail. 10 FPA901 90° Brass Union - 1/4" NPTF 8mm Tail. 11 FPA902 90° Brass Union - 5/16" NPTF 8mm Tail. 12 FPA906 Straight Brass Filter Union - 1" for Solid State



Fuel Filters



11 GFE7059 SPI Injection Inline Filter (subframe mount). 12 WJN101192 MPI Injection Inline Filter. 13 SMB161 Fuel Filter Bracket - SPI and MPI Powder coated. 14 SMB160 Fuel Filter Bracket - SPI and MPI Stainless Steel. 15 FACPRO804 Inline Glass/Chrome Filter - 6mm Tails. 16 FACPRO805 Inline Glass/Chrome Filter - 8mm Tails. 17 PFACRO896 Replacement Filter Element for Inline Filters

Copper Fuel Pipes



14 AUTFP0219 Copper Fuel Pipes for all Mini Saloon. 15 AUTFP0220 Copper Fuel Pipe for Van/ Estate/ Pick-up. 16 21A2331 RH Fuel Tank Connecting Pipe. 17 12G292 Twin SU Carb Fuel Link Pipe

Petroflex - Stainless Steel Braided Hose



LPK001 2.5" x 1/4" ID Petroflex With Rubber End Caps & Clips. 17 LMA330 3" x 1/4" ID Petroflex With Rubber End Caps & Clips. 18 LMA331 6" x 1/4" ID Petroflex With Rubber End Caps & Clips. 19 LMA332 12" x 1/4" ID Petroflex With Rubber End Caps & Clips. 20 LMA333 18" x 1/4" ID Petroflex With Rubber End Caps & Clips. 21 LMA340 3" x 5/16" ID Petroflex With Rubber End Caps & Clips. 22 LMA341 6" x 5/16" ID Petroflex With Rubber End Caps & Clips. 23 LMA342 12" x 5/16" ID Petroflex With Rubber End Caps & Clips. 24 LMA343 18" x 5/16" ID Petroflex With Rubber End Caps & Clips. 25 LMA366 1M x 1/4" ID Petroflex Hose Only. 26 LMA367 1M x 5/16" ID Petroflex Hose Only. 27 LMA368 1M x 3/8" ID Petroflex Hose Only. 28 LMA369 1M x 1/2" ID Petroflex Hose Only. 29 LMA370 1M x 5/8" ID Petroflex Hose Only. 30 LMA338 1/2" Rubber Hose End Caps Pack of 2

Jubilee Hose Clips

JUB1A Jubilee Clip - 22-30mm. JUB1X Jubilee Clip - 30-40mm. JUBM00 Jubilee Clip - 11-16mm. JUB00 Jubilee Clip - 13-22mm. JUB000 Jubilee Clip - 9.5-12mm. JUB2 Jubilee Clip - 40-55mm. JUB3x Jubilee Clip - 60-80mm

Fuel Taps

An inline fuel tap allows the flow of fuel to be stopped instantly, a brilliant low cost safety precaution and also Mini immobiliser.

LMA349 1/4" Push on Hose Fittings. LMA348 5/16" Push on Hose Fittings. LMA350 3/8" Push on Hose Fittings

Standard Air Filter Elements



GFE1002 Suit 850cc. 1 GFE1008 Suit 998/1275 single carb airbox. 2 GFE1038 Suit Early Cooper & S. 3 GFE1143 Suit all Injection Models - '92-'01

Mini Sport Performance Air Filters



High performance high filters as used in our own Stage 1 Tuning kits. Look great and give good power increases. 4 SPD9330 Suit 1275cc with HIF44 Carb. 5 SPD9320 Suit 998cc with HS4 Carb. 6 ESE002 13mm Breather - Red, Blue, Black or Chrome Each



Piper Cross has been making high performance air filters for over 25 years and they have helped many race teams win major championships on the British, European and World stage.



PCFPX1303 Injection Replacement Element. PCFC1501 1 1/4" HS2. 6 PCFC1502 1 1/2" HS4/HIF4. PCFC1503 1 3/4" HS6. PCFC1504 1 3/4" HIF44. PCFC3101/C302D Weber DCOE Domed. 7 PCFPK070 Mini SPI Induction Kit. PCFPK071 Mini MPI Induction Kit. 8 PCFC1050 Filter Socks Pair. PCFC1152 45 DCOE Trumpet Sock. 9 PCFC1153 40 DCOE Trumpet Sock. PCFC9000 Filter Cleaning Kit. PCFC9006 Filter Cleaner. PCFC9001 Filter Oil



K&N Engineering is the world's leading manufacturer of washable performance air filters and air intake systems.



KNNE2601 Carb Replacement Element (HS4). 10 KNNE9172 Injection Replacement Element. KNNE9001 Cooper S Carb Replacement Element. KNN561630 1 1/4" HS2 - Pancake Type. 11 KNN569320 1 1/2" HS4/HIF4 - Cone Type. KNN569327 1 3/4" HS6 - Cone Type. KNN569330 1 3/4" HIF6 - Cone Type. KNN561350 Weber 40/45 DCOE. KNN57-0082 57i Induction Kit - SPI. 12 KNN570189 57i Induction Kit - MPI



Crank Case Breather Filters Allow the engine to breathe, by expelling contaminated oil/air mixture and prevents ingress of atmospheric dust. Finished with polished steel base.

13 KNN62-1010 2" Dia x 1.5" High - 13mm Flange. 14 KNN62-1050 3" Dia x 2" High - 13mm Flange. KNN62-1100 K&N Breather Filter 50 x 38mm Zinc Top. KNN62-1330 K&N Breather Filter Chrome Top Clamp On



FILTERS ARE WASHABLE & REUSEABLE. DRIVE 50,000 MILES BEFORE CLEANING

Cleaners & Oils K&N offer a full range of cleaning and re-oiling products to extend the life of your filters, also to enhance the appearance of the under-bonnet.

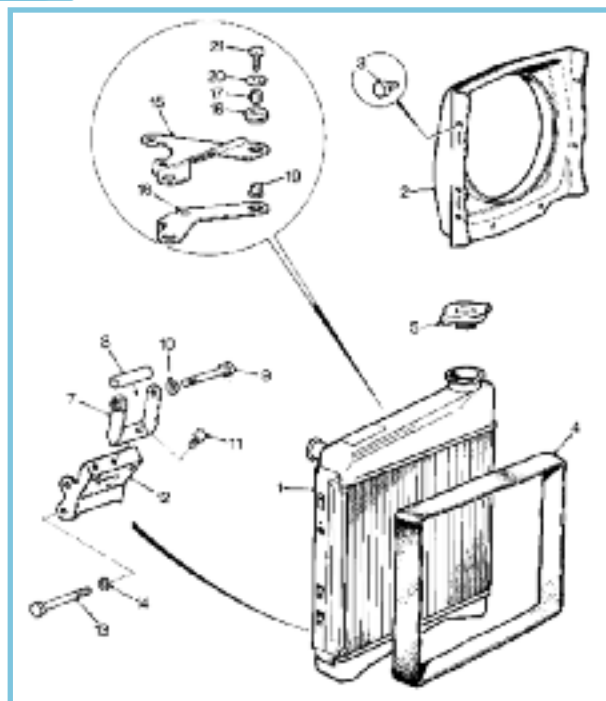
15 KNNOILSACH 15ml Sachet Filter Oil. KNN990516 Filter Oil - Aerosol Can. KNN99-0621 1Ltr Filter Cleaner. KNN99-5003EU K&N Filter Service Kit - Spray. 16 KNN99-5050 K&N Filter Service Kit - Squeeze





Cooling System

Cooling System



Radiator Cows



Radiator Lower Mounts



7	12A2153	Lower Cowl/Radiator Bracket	'74 on
9	12G4270	Bolt - Cowl to Lower Bracket	
8	ARP1073	Mounting Bolt Spacer Tube for 12G1318	
10+14	GFK1125	Spring Washer - 5/16"	
11	GFK5184	Set Screw 5/16"UNF X 3/4	
12a	12G1318	Lower Bracket Adaptor Plate	
12	12A361	Gearbox to Lower Radiator Bracket	
13	HBZ534	Mounting Bolt for 12A361	
	CAM4618	Bush - Lower Mounting	'74on
	EAP8708	Bush - Radiator Bottom Mounting	MPI
	EJP1483	Bush - Radiator Top Mounting	MPI
	MCR51.22.05.00	Radiator Lower Mounting Bracket	Cooper S MK1-3
	SMBFK049	Nearside Rad Mount Stainless Fitting Kit	

Radiators

**FLETCHER**

Top quality, value for money radiator by Fletcher. Side mounted alloy 2 cores Hi-Flow radiator to suit all Mini models 1959-1992 except injection models.

- comes with 16psi radiator cap
- drain plug in the bottom for simple water removal
- 2 core design allow water to flow faster
- finished in aluminium with beautiful welding for stunning looks under bonnet

C-ARA5100MS Radiator - Alloy 2 Core

1	ARP1105	3 Core 1275cc (16 Gills/Inch)	Standard
1a	C-ARA4444	4 Core Uprated with Original Top Header (25% more efficient)	
	C-ARA4442	2 Core Performance High Flow	
1b	C-ARA4443	2 Core Performance High Flow - With screw in Sender	

1c	GRD172	1.3 Injection SPI - Standard	'92-'96
1d	C-ARA5000	Alloy 2 Core High Flow - Side Fitting Type	
1e	C-ARA4441	Alloy 2 Core High Flow Super Cool	to '90
	C-ARA4441A	Alloy 2 Core High Flow Super Cool	'90on
1f	GRD974	1.3 Injection MPI - Front Mounted	'97-'01



Radiator Sender Switches

1	C-ARA4445	Screw in Sender for (C-ARA4443)	
1	GVS104	Push in Sender for std SPI (GRD172)	
2	KTP9002	Clip for GVS104 Sender	

Radiator Brackets & Bushes

15a	CAM4621	1275cc GT Clubman	
15b	CAM4622	1275cc & Cooper S	
16	11G227	Rubber Mounting Grommet	Each
17	CAM4415	Metal Sleeve for Mounting Grommet	Each
18	PCU10135	1275cc SPI & Cooper	'90-'96
	SMB164 998/1098	Top Rad Bracket - Stainless	
	SMB198	Cooper S Top Rad Bracket	Stainless
	SMB80	SPI /late Carb Model Top Rad Bracket	Stainless
21	GFK5179	Bolt - Radiator Bracket	'74on
21	11G228	Bolt - Radiator Bracket	To '74
20	GFK1113	Washer - Bracket Bolt	'74on
20	GFK1115	Washer - Bracket Bolt	To '74
	GFK1125	Spring Washer - Bracket Bolt	To '74
	SH605051	Bolt - Radiator Bracket to Thermostat	SPI
22	SMB10	MPI Radiator Mounting Brackets - Stainless Steel	Pair
	SMB05	MPI Radiator Stainless Top Cover	

Radiator Caps, Expansion Tanks & Hoses

1	GRC1111	Cap 13lb - Short Neck Type	'70-'80
	GRC101	Cap 7lb - Long Neck Type	Early 850cc
2	SPD0006	Cap Chrome 15lb - Includes Rubber Seal	'92-'96
3	GRC102	Cap 7lb - Short Neck Type - 850cc/ 998cc	'65-'69
	GRC1110	Cap 15lb - No Sender	'80-'92
	GRC207	Cap 15lb - Includes Rubber Seal	'92-'96
4	SMB29	Instruction Label - MPI Expansion Tank	'97-'01

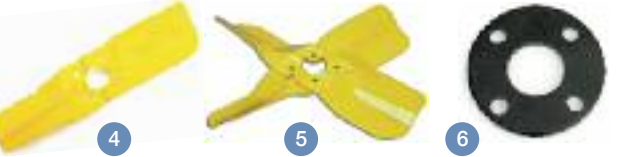
Electric Fan Kits - injection models

1	PGG10058	Radiator Electric Fan Assembly - SPI & Carb Models '92-'96	
1	PGG100890	Radiator Electric Fan Assembly - MPI Models Only '97-'01	

SPI models - as the original fan is now obsolete this fan is designed as a replacement. Small modifications to the old wiring plug and grommet. Comes with brackets.

Fan Blades

2	12G2129	11 Blade Plastic - White	
2	12G2129/Y	11 Blade Plastic - Yellow	
3	2A998	6 Blade Steel - Yellow (Fast Road/Rally)	
4	2A997	2 Blade Steel - Yellow (Competition)	
5	2A997/4	4 Blade Steel - Yellow (Fast Road/Rally)	
6	PGX10001	Water Pump to Fan Spacer Piece	
	SMBFK034	Cooling Fan Stainless Fitting Kit	



Water Pump Pulley & Spacer

7	CAM6239	Water Pump Pulley	
8	PEZ100100	MPI Water Pump Pulley	

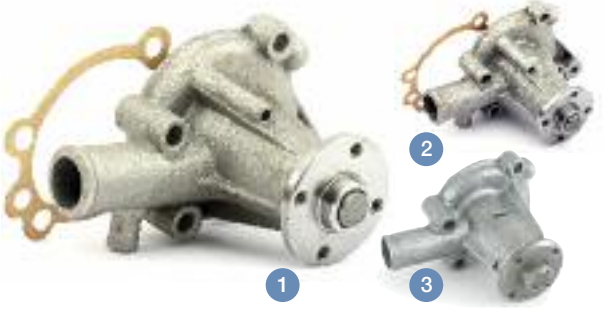
Fan Belts

9	GMB50920	V Groove Belt - MPI '97-'01	
	GCB10813	Belt - Dynamo or 16/17 ACR Alternator (813mm dia Pulley)	
	GCB10825	Belt - Large Pulley Alternator (825mm dia Pulley)	'80-'96
110	GCB10838	Belt - Larger Pulleys - (838mm dia Pulley)	





Water Pumps



1	GWP134	Pump - With Bypass Take Off	High Capacity
2	GWP187	Pump - Without Bypass Take Off	High Capacity
3	GWP188	Pump - MPI only (Without Bypass)	'97-'01



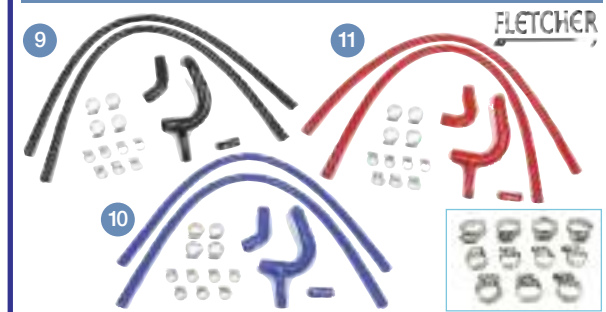
4	GZA2086	Water Rubber Bypass Hose Includes Clips	
5	12A2075	Metal Bypass Tube (Screws into Cylinder Head)	
6	88G215	Water Pump Gasket	
	88G619	Plug - Blanking Bypass on Cylinder Head	
	HZS515	Screw - Pump to Crankcase - 998cc	Long
	SH605101	Screw - Pump to Crankcase - 998cc	Short
	GFK1125	Spring Washer - Pump Screws	
	TAM1180	Bolt - Pump to Crankcase - 1275cc/ 1.3i	Long
	TAM1178	Bolt - Pump to Crankcase - 1275cc/ 1.3i	Short
	SMBFK035	Water Pump Stainless Fitting Kit	

EWP - Electric Water Pump



7	THIEWP1	Electric Water Pump Kit	80 Ltrs/ Min
8	THIEWP2	Digital EWP@ Controller	

Fletcher Silicone Hose Kits



9	GRH245.BK.KIT	Silicone Hose Kit - 850/998/1098	4 ply BLACK
10	GRH245.BL.KIT	Silicone Hose Kit - 850/998/1098	4 ply BLUE
	GRH245.RD.KIT	Silicone Hose Kit - 850/998/1098	4 ply RED
	GRH247.BK.KIT	Silicone Hose Kit - Cooper S/1275	4 ply BLACK
	GRH247.BL.KIT	Silicone Hose Kit - Cooper S/1275	4 ply BLUE
11	GRH247.RD.KIT	Silicone Hose Kit - Cooper S/1275	4 ply RED

Radiator Top Hoses



12	GRH244	Early Mk1 Radiators - 850/998cc	'59-'67
	GRH245	850/998cc	'67-'89
13	GRH247	1275cc Cooper S	
14	GRH467	998/1100cc Clubman	
	GRH469	1275GT / ERA Turbo	



15	GRH1140	Top Hose - 1275cc Rover Mini Cooper	
	GRH1212K	Top Hose - SPI	SPI
	PCH10566EVA	Top Hose - SPI Genuine	SPI
16	PCH10532	Hose - Thermostat to Inlet Manifold	SPI
17	GRH1465	Top Hose - '97-'01	MPI
	PEU102380	Clip - Top Hose Securing	MPI
	PCH113560EVA	Top Hose - Genuine	MPI
	SMB07/1 Clip	Top Hose Securing - Stainless	MPI

Radiator Bottom Hoses



18	GRH802	850/998/1275cc - No Heater Outlet	'59-'89
19	GRH240	850/998/1275cc with Heater Outlet	'59-'89
20	GRH1159	1275cc with HIF44 Carb	'90-'92
	PCP10006	Adaptor - Heater Hose to Bottom Hose 5/8" - 1/2"	'90-'91



21	GRH1289	1275cc with HIF38 Carb	'91-'94
22	GRH1242	SPI	'90-'96
23	GRH1466	MPI	'97-'01
	PCH113480EVA	Bottom Hose - Genuine	MPI

Heater Hose - 1 Meter Lengths

Top quality hose cut to length to suit your requirements

GRH1006M	Hose - Heater Hose 1/2" (13mm) Bore	1 Metre
GRH1007M	Hose - Heater Hose 5/8" (16mm) Bore	1 Metre

Jubilee Hose Clips

JUB1A	Jubilee Clip - 22-30mm	Each
JUB1X	Jubilee Clip - 30-40mm	Each
JUBM00	Jubilee Clip - 11-16mm	Each
JUB00	Jubilee Clip - 13-20mm	Each
JUB0	Jubilee Clip - 16-22mm	Each
JUB2	Jubilee Clip - 40-55mm	Each
JUB3X	Jubilee Clip - 60-80mm	Each
JUB000	Jubilee Clip - 9.5-12mm	Each

Samco Silicone Hose Kits



SamcoSport has been the world leader in Performance Silicone hose for over 10 years, supplying Formula One, World Rally Championship and World Super Bike teams and our range of replacement hose kits, race parts and accessories is second to none.

Samco Hose Kits available in Black, Blue or Red - please specify when ordering

1	SAMTCS-531C	Silicone Hose Kit - Clubman 1098
2	SAMTCS-187C	Silicone Hose Kit - SPI
3	SAMTCS-490C	Silicone Hose Kit - Mini 850/998/1098
	SAMTCS-19C	Silicone Hose Kit - Cooper S
	SAMTCS-18C	Silicone Hose Kit - Clubman 1275GT
	SAMCK490C	Clip Kit for Mini 850/998/1098 Hose Kit
	SAMCK531C	Clip Kit for Clubman 1098 Hose Kit
	SAMCK187C	Clip Kit for SPI Hose Kit
	SAMCK19C	Clip Kit for Cooper S Hose Kit
	SAMCK18C	Clip Kit for Clubman 1275GT Hose Kit

Thermostats & Housings



4	12G103	Thermostat Housing - Standard/SPI - No Extra Holes	To '96
	PEQ10019	Thermostat Housing - Non-drilled Hole - HIF44 Carb	'90-'94
	PEQ100690	Thermostat Housing - Late SPI/Automatic	'93-'95
5	PEQ100650	Thermostat Housing - MPI - Front Mounted Radiator	'97-'01



6	PEG10002	Sandwich Plate - 10mm Outlet Elbow
7	PEM10036	Sandwich Plate - 8mm Thread Hole (YWL10010 Sender)
8	PEG100030	Sandwich Plate - 12mm Thread Hole (MEK100060 Sender)



9	GTS280	Thermostat - 88° - for all Models (Cold Climate)
	GTS1106	Thermostat - 88° - with Bleed Hole
	GTS1102	Thermostat - 74° - for all Models (Hot Climate)
	GTS1104	Thermostat - 82° - for all Models (Moderate Climate)
10	11G176	Thermostat Blanking Sleeve
11	GTG101	Housing and Sandwich Plate Gasket
	GUG705558GM	MPI Thermostat Gasket



Thermostat Bolts, Studs & Nuts



12	CHS2515	Housing Stud	Each
13	DAM7760	Housing Bolt	Each
14	GHF201	Nut to Suit CHS2515	Each
	GFK1125	Spring Washer	Each
	12G103FK	Standard Housing Fitting Kit	
	SMBFK042	Housing Sandwich Type Long Stainless Bolts Polished Heads	
	SMBFK043	Housing Sandwich Type Long Stainless Bolts	
	SMBFK044	Housing Standard Type Short Stainless Bolts Polished Heads	
	SMBFK039	Housing Standard Type Short Stainless Bolts	

Water Temperature Transmitters



15	GTR101	Standard Type - Fits in Cylinder Head	
16	ADU7161	SPI - Fits in Manifold	'92-'96
17	MEK100060	MPI - Fits in Sandwich Plate (PEG100030)	
	YWL10010	Carb Cooper - Fits in Sandwich Plate	'90-'91

Heater Valves



18	ADU9102	Angled Valve - Bolts to Head	'67-'89
19	JJB10011	Plastic Black Valve	'90-'96
20	JJB100260	Plastic Valve MPI Only	'97-'01
21	GUG705923	Gasket for ADU9102 Valve to Head	
22	2A180	Heater Valve Blanking Plate	
23	53K402	Heater Valve Stud	Each
24	12G2534	Adaptor - Pipe to Cylinder Head	
25	C-MAD003	Water Temp Gauge Takeoff Cylinder Head	Alloy Billet
	SMB119	Heater Valve Blanking Plate	Stainless Steel
	SMB47	Heater Take Off	Stainless Steel



Heater Cables



26	14A9988	Mk1/2 Genuine Spec with Bakerlite Knob	
27	CHM373	Mk3 Cable - 30" Long	'68-'88
28	JFF10003R	Mk4 Cable - 32" Long	'88-'92 with Hook
	JFF10051	Mk4/SPI Cable - 42" Long	'92-'96
	JFF100910	Mk5/MPI Cable	'97-'01







## Heater Matrix - In Car



1	17H8608	Matrix - Mk1/2 Original Specification	'59-'69
2	37H7216	Matrix - Mk3 Original Specification	'70-'84
1	BAU5043	Matrix - Mk4 Original Specification	'84-'91
3	JEF10005	Matrix - Mk5 Original Specification	'91-'01
4	C-MAD008	Adaptor - Alloy Adaptor for the Heater Matrix Pipe on JEF10005 Matrix. Replaces the original plastic type to prevent breakage caused by heat making the plastic brittle.	



## Heater Ducting Pipe & Vents



6	CZH700	Ducting Pipe - Dash to Air Dist Box - 5" x 2.5"	
7	CZH1753	Ducting Pipe to Screen - 20" x 1.75"	Mk4
8	JKA10012	Air Vent Intake Hose RH - Except Clubman	
8a	JKQ10002	Air Distribution Box (1993 On)	

## Oil Thermostats & Remote Filter Heads



1	THIOT1	Oil Cooler Thermostat - Waxstat - 80°C	
THIRFH1A	Remote Oil Filter Head	LH Flow	
2	THIRFH1B	Remote Oil Filter Head	RH Flow
3	THISP1	Sandwich Plate - 3/4 UNF	Pre '97
4	THITOP8	Take Off Plate - Replaces Filter Original Head with Female 5/8"UNF take off to allow fitment of Remote Filter Head.	
THISP1C	Sandwich Plate - 13/16 UNF	Mpi '97 on	
THIBS13/16	Bonded Seal for - 13/16 UNF	For SP1C	



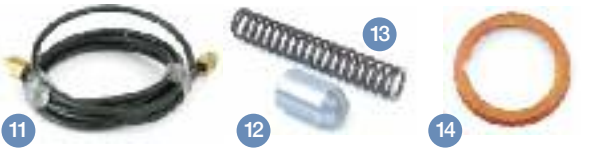
## Oil Sender Switches & Pipes



5	LMA012	Oil Pipe Adaptor - 1/8BSP Cone to 1/8NPT	
6	LMA008/FS	Pipe Adaptor - 5/8UNF to 5/8 UNF Flat	
7	LMAAC16	T Piece Pipe Adaptor - 1/8BSP to 1/8NPT	



8	SMITT6811-01	Smiths Oil Temperature Sender Unit	
9	SMIPT1810-1-10	Smiths Oil Pressure Sender Unit	6ft
10	LMA006/6	Oil Pressure Pipe	



11	LMA003/4	Oil Pressure Pipe	4ft
12	12H865	Oil Pressure Release Valve	
13	6K853	Oil Pressure Release Spring (60lb)	
	12H865KIT	Oil Pressure Valve/Spring Kit	
14	6K431B	Copper Washer for Nut Over Valve	

## Oil Pressure Switches



15	GPS133	Standard Switch (7-10lbs)	Upto '96
16	THIEWS/1C	Uprated Switch (20lbs)	Upto '96
17	GPS135	Standard Switch - MPI	'97-'01

## Oil Cooler Pipes - Pair



1	THIOCI45	Rubber - Mini	
	THIOCI45E	Rubber - Cooper Carb	'90-'94
2	THIOCI45I	Rubber - Injection	
	THIOCI45M	Rubber - Automatic	
3	THIOCI46	Rubber - Clubman	Extra long



	THIOCI1355	Aeroquip Stainless	Midget 1275
4	THIOCI263	Aeroquip Stainless	1275/Cooper S
	THIOCI2631	Aeroquip Stainless	Injection
	THIOCI264	Aeroquip Stainless - Extra Long	Clubman
	THI100R6-12	Oil Cooler Hose 3/4" Bore	Per metre
	THI100R6-8	Oil Cooler Hose 1/2" Bore	Per metre

## Oil Cooler Fittings



5	THIBBS2-85	Banjo - M18	
6	THIBS-M18	Banjo Seal - M18 I.D	
7	THIHEBAN-M18-8	Banjo Bolt - M18 - Straight for 1/2" Hose	



	THIHEM1-11-8	11/16 UNF to 1/2BSP Hose - Straight	Male
	THIHEF3-8	1/2 BSP - Straight	Female
8	THIHEF43-8	1/2 BSP - 45°	Female
	THIHEF93-8	1/2 BSP - 90°	Female
	THIHEF3-12	3/4 BSP - Straight	Female
	THIHEF43-12	3/4 BSP - 45°	Female
9	THIHEF93-12	3/4 BSP - 90°	Female
	THIHEM1-7-8	5/8 UNF to 1/2BSP Hose - Straight	Male



10	THIHEM3-8	1/2 BSP - Straight	Male
11	THIHEM8-4-8	1/4 NPTF for 1/2 BSP - Straight	Male
12	THIHEM8-6-8B	3/8 NPTF for 1/2 BSP - Automatic	
13	THIMMS3-8-8	1/2 BSP x 1/2BSP Threaded	Male-Male
	THIMMS9-8-11	Oil Cooler Block Connector A+	
	THIMMS5-8-105	M22 x 1/2 BSP Connector	
	THIBS-M22	Banjo Seal - M22 I.D	
	MCR78	Oil Cooler Bracket	



## Oil Cooler Kits

Oil Coolers help keep the oil at optimum operating temperature to improve performance, reduce wear and extend the life of your engine. High-performance Oil Coolers and Kits from Mini Sport are manufactured to the highest standard and matched to each model to maximise efficiency and reliability.



Oil Cooler Kits include: Oil Cooler Stack, 2 Oil Cooler Hoses plus fittings for both the Engine Block and Cooler Stack.

**An absolute must for any performance or competition Engine!**

14	THIMS0900	1275 / Cooper S -	Short Hoses
15	THIMS0901	Clubman / Metro kit	Long Hoses
	THIMS0903	Automatic - All models	
16	THIMS0904	MPI	'97-'01

## Oil Cooler Kit - MPI 1997-01



## Oil Cooler Element Stacks



17	THIOC5193-8	19 Row Element - 1/2 BSP Connector	
	THIOC5197-10	19 Row Element - 10JIC Connector	
18	THIOC5137-8	13 Row Element 233mm - 8 JIC Male Connector	
	THIOC5133-8	13 Row Element - 1/2 BSP Connector	
	THIOC5133-8HD	13 Row Element - 1/2 BSP Heavy Duty Connector	
	ARA221	13 Row Element 1/2" BSP Connector	Budget
19	THIOC5103-8	10 Row Element - 1/2 BSP Connector	
20	THIOC1102-85	10 Row Element - M18 Female Connector	

Cooling System

Cooling System





Electrical

Electrical



Distributors



Competition (Red) 25/45D & 59D Distributors

1	ALD100AR	Competition - Red - (25/45D)	
	ALD100AR-I	Competition - Red - (25/45D)	With Ignitor
2	ALD100ARS	Competition - Red (45D) Side Exit	
	ALD100ARS-I	Competition - Red (45D) Side Exit	With Ignitor
	ALD100ARP	Competition - Red - (59D)	
	ALD100ARP-I	Competition - Red - (59D)	With Ignitor
3	ALD100ARPV	Competition - Red - (59D) Vacuum Advance	
	ALD100ARPV-I	Competition - Red - (59D) Vacuum Adv.	With Ignitor
	ALD100ARPS/E	Competition Red (59D)	Side exit
	100ARPS/E	Same as 100ARP but is fitted with Side Exit Cap	

RED Type Distributors Explained

to suit rally and race tuned engines

- 100AR** - A Series non-vacuum type
- 100AR-I** - A Series non-vacuum type with ignitor
- 100ARS** - A Series non-vacuum type, side exit
- 100ARS-I** - A Series non-vacuum type, side exit with ignitor
- 100ARP** - A+ non-vacuum type
- 100ARP-I** - A+ non-vacuum type with ignitor
- 100ARPV** - A+ vacuum advanced type
- 100ARPV-I** - A+ vacuum advanced type with ignitor

Aldon Electronic Ignitor

A solid state breakerless ignition system, which will give improved fuel economy - no more adjusting of points ever!



23D4-25D4 and DM2-40510A, 40743A 4 cylinder Lucas distributors.  
**LU142 Negative Earth only.**  
**LU142AP12 Positive Earth only.**  
 45D4 & 59D4 Lucas distributors.  
**LU143A Negative Earth only.**  
 45D4/45D4 Lucas distributors.  
**LU143AP12 Positive Earth only.**

ALDLU142	Ignitor A Series '59-74 - 25D Type Distributor
ALDLU142AP12	Ignitor A Series '59-74 - 25D Distributor Positive Earth
ALDLU143A	Ignitor A Series '74 on 45D & 59D distributors
ALDLU143AP12	Ignitor A Series '74-80 - 45D Distributor Positive Earth

Performance (Yellow) 25/45D & 59D Distributors

4	ALD100AY	Fast Road - Yellow - (25/45D)	
	ALD100AY-I	Fast Road - Yellow - (25/45D)	With Ignitor
	ALD100AYS	Fast Road - Yellow - (25/45D) Side Exit	
	ALD100AYS-I	Fast Road - Yellow - (25/45D)	With Ignitor
	ALD100AYV	Fast Road - Yellow - (25/45D) Vacuum Advance	
	ALD100AYV-I	Fast Road - Yellow - (25/45D)	With Ignitor
	ALD100AYSV	Fast Road - Yellow (25D/45D) Side Exit Vacuum Adv.	
	ALD100AYSV-I	Fast Road - Yellow (25D/45D)	With Ignitor
	ALD100AYP	Fast Road - Yellow - (59D)	
	ALD100AYP-I	Fast Road - Yellow - (59D)	With Ignitor
5	ALD100AYPV	Fast Road - Yellow - (59D) Vacuum Advance	
	ALD100AYPV-I	Fast Road - Yellow - (59D) Vacuum Adv.	With Ignitor

YELLOW Type Distributors Explained

Tuned engines, using Piper 270/285 or Kent 266/276 & 286 camshafts.

- 100AY** - A Series non-vacuum type
- 100AY-I** - A Series non-vacuum type with ignitor
- 100AYS** - A Series non-vacuum type, side exit
- 100AYS-I** - A Series non-vacuum type, side exit with ignitor
- 100AYV** - A Series vacuum advanced type
- 100AYV-I** - A Series vacuum advanced type with ignitor
- 100AYSV** - A Series vacuum advanced type, side exit
- 100AYSV-I** - A Series vacuum advanced type, side exit with ignitor
- 100AYP** - A+ non-vacuum type
- 100AYP-I** - A+ non-vacuum type with ignitor
- 100AYPV** - A+ vacuum advanced type
- 100AYPV-I** - A+ vacuum advanced type with ignitor

'The ORIGINAL and still THE BEST' Aldon Performance Distributor for 'A' Series Applications. If you are unsure of the application you require, please contact us first.

All distributors supplied are based on new Lucas or Bosch units. The modified specifications have been continually developed using dyno facilities. Aldon distributors are supplied with traditional points as standard but are also available with the Ignitor electronic ignition system pre fitted.



Lucas Type Distributors - Standard or with Electronic Upgrade



Our range of brand new Mini distributors 23D4, 25D4, 45D & 59D are manufactured to the highest standards. Available with points or electronic ignition systems.

Electronic upgrade kits are available for your existing distributor, which allows for removal of the points system, giving better reliability and a more consistent spark, please see the list below.

65D electronic distributor as fitted to Mini models '84 on, or can be used to upgrade your 59D distributor to electronic ignition.



1	PSK-D73P	23D Points Non Vacuum	Cooper S
	PSK-D73	23D Electronic Negative Earth Non Vacuum	Cooper S
2	PSK-D1-98	25D Points, Top Entry with Vacuum	Mini's to 1974
	PSK-D7-98	25D Electronic Negative Earth Top Entry with Vacuum	Mini's to 1974
4	PSK-D3-98	45D Points 998/1100cc Mini's 1974-80	Pre A+
	PSK-D4-98	45D Electronic 998/1100cc Mini's 1974-80	Pre A+
	PSK-D3-75	45D Points 1275cc Mini's 1974-80	Pre A+
	PSK-D4-75	45D Electronic 1275cc Mini's 1974-80	Pre A+
5	PSK-D10P-98	59D Points 998cc Mini's 1980 on	A+
	PSK-D10-98	59D Electronic 998cc Mini's 1980 on	A+
	PSK-D10P-75	59D Points 1275cc Mini's 1980 on	A+
	PSK-D10-75	59D Electronic 1275cc Mini's 1980 on	A+
3	42664	65D Electronic 1275cc 1984on	

Powerspark Electronic Ignition Kits



The Ignition module that is easy to fit and replaces the original contact breaker. Points and condenser, making your Classic Mini ignition system more powerful, more reliable and more efficient!

To help get the most from your new Powerspark ignition kit we also provide high performance parts such as ignition coils, rotor arms and fuel pumps that are specifically designed to work with Powerspark.

PSK-K2	Ignition Kit for 25D Distributors
PSK-K4	Ignition Kit for 45D/59D Distributors
PSK-K2PP	Ignition Kit for Positive Earth 25D Distributors
PSK-K4PP	Ignition Kit for Positive Earth 45D Distributors
PSK-K8	Ignition Kit for Ducellier Distributors





Distributor Caps



1	GDC102	25D4 Type Distributor Cap - Side Entry	Mk1 to '67
2	GDC103	25D4 Type Distributor Cap - Top Entry	Mk2/3 '67-74
3	GDC136	45D/59D4 Type Distributor Cap - Top Entry	'74-'90
4	GDC156	65D4 Electronic Type - Screw Fix - Top Entry	'90 on
5	GDC214	Ducellier Type (Originally red, now black cap)	Some 998cc
6	8G726	Rubber Cover for GDC102 - Waterproofing	Mk1 to '67



Rotor Arms



7	GRA2101	25D4 Type Distributor - Mk1/2/3/Cooper S	Pre '74
	ACSRED25D	Red Rotor Arm 23D4 & 25D4 Type Distributors	
8	GRA2114	45D4 & 59D4 Distributor Type	'74-'90
	ACSRED45D	Red Rotor Arm 45D4 & 59D4 Type Distributor	
9	GRA2143	65D4 Electronic Type	'84 on
10	GRA2123	Ducellier Type	Some 998cc Models



11	ACSRED25D	Red Rotor Arm 23D4 & 25D4 Type Distributors	
12	ACSRED45D	Red Rotor Arm 45D4 & 59D4 Type Distributor	

Moulded brass inlay & improved insulation properties make the rotor ideal for high voltage ignition systems. Revised spring clip assures a really good fit, even on old units.



Contact Sets



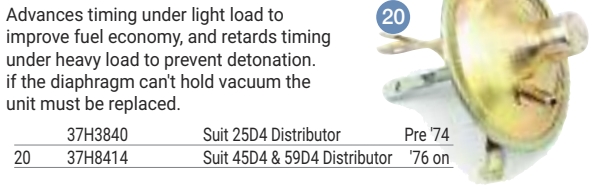
13	GCS119	Ducellier Type	Some 998cc models
14	GCS2101	25D4 Type Distributor	Mk1/2/3 - to '74
	GCS2111	25D4 Type Distributor - 32oz Spring	Cooper S
	37H2981	25D4 Pigtail Wire and Plastic Fitting	
15	GCS2118	45D4 Type Distributor with Red Points	'74-'80
16	GCS2261	59D4 Type Distributor with Blue Points	'80-'90

Condenser



17	GSC2111	25D4 Type Distributor	Mk1/2/3/Cooper S to '74
18	GSC2109	45D4 & 59D4 Type Distributor	'74-'90
19	GSC2113	Ducellier Type	Some 998cc Models

Distributor Vacuum Advance Units



Advances timing under light load to improve fuel economy, and retards timing under heavy load to prevent detonation. if the diaphragm can't hold vacuum the unit must be replaced.

	37H3840	Suit 25D4 Distributor	Pre '74
20	37H8414	Suit 45D4 & 59D4 Distributor	'76 on

Engine Splash Guard - Weathershield kit

Mini engine weathershield kit, designed to protect the distributor, spark plugs and leads from water splashing through the front grille. A fantastic product that solves many engine missing problems caused by water in the ignition system. Made from black flexible plastic, very simple to fit, by slipping down the front of the engine between the grille and distributor then simply clip onto the top and bottom brackets. Kit includes: 2 x Rocker Cover Brackets, 1 x bottom mounting bracket, turn buttons and washers. Suitable for all Minis except for MPi with the front mounted radiator.



21	BHM1675	Engine Splash Guard Kit - Includes all Brackets and Fixings.	
	SMB77	Weather Shield Stainless Mounting Kit	



Spark Plug Lead Sets

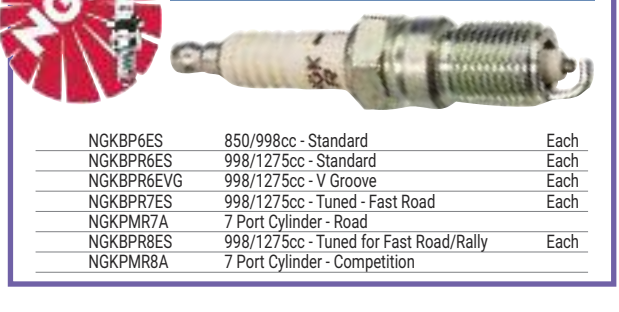
Shop a range of high quality Ignition Leads, types and styles with Mini Sport. Our Ignition lead collections encompass all Classic Mini Models from 1959-2001 including MPI Mini Models. Our genuine and original specification ignition lead set range includes high performance lead sets and silicone leads in a variety of colours.

GHT184	Set	'68-'81
GHT1109	Genuine Set	'81 on
GHT289	Set - Mpi	'97-'01
MOE203	ProSpark Set	Pre '97



GHT241BL	Blue Ignition Lead Set	Pre '96
GHT241BLK	Black Ignition Lead Set	Pre '96
GHT241GR	Green Ignition Lead Set	Pre '96
GHT241R	Red Ignition Lead Set	Pre '96
GHT241Y	Yellow Ignition Lead Set	Pre '96
GHT289BL	Blue Ignition Lead Set	'97on
GHT289BLK	Black Ignition Lead Set	'97on
GHT289GR	Green Ignition Lead Set	'97on
GHT289R	Red Ignition Lead Set	'97on
GHT289Y	Yellow Ignition Lead Set	'97on
GHT101	Ignition Lead Set - For screw type 25D side entry dizzy cap	
GHT102	Ignition Lead Set - For 25D screw connection distributor cap	

Worlds No1 Spark Plugs



NGKBP6ES	850/998cc - Standard	Each
NGKBP6ES	998/1275cc - Standard	Each
NGKBP6EVG	998/1275cc - V Groove	Each
NGKBP7ES	998/1275cc - Tuned - Fast Road	Each
NGKPMR7A	7 Port Cylinder - Road	
NGKBP8ES	998/1275cc - Tuned for Fast Road/Rally	Each
NGKPMR8A	7 Port Cylinder - Competition	

Ignition Coils & Coil Packs



1	DLB105	Lucas Sports Coil - 3 ohm	Pre '84
2	ACSCOILR	High Power Sport Coil - 3 ohm	Pre '84
	GCL334	Electronic Type Coil 1.4 ohm (Ballast Type)	'84-'96
3	ACSCOILB	High Power Sport Coil - 1.5ohm (Ballast Type)	'84-'96



The Flame Thrower coil is the perfect coil to go with the Aldon Ignitor. This 40,000 volt coil can benefit virtually any distributor type ignition system. The higher voltage allows larger spark plug gaps for added power, smoother response and better economy.

ALD40511	Black Oil Filled - Non-Ballast	3.0ohm
ALD40011	Black Oil Filled - Ballast	1.5ohm
ALD40501	Chrome Oil Filled - Non-Ballast	3.0ohm
ALD40001	Chrome Oil Filled - Ballast	1.5ohm
ALD40611	Black Epoxy Filled - Non-Ballast	3.0ohm
ALD40111	Black Epoxy Filled - Ballast	1.5ohm



4	NEC100710	Standard Coil Pack - MPI Mini	'97-'01
5	PSK-VCS	Viper High Output Dry Coil DLB105 Spec - 3 ohm	
	PSK-VCE	Viper High Output Dry Coil DLB198 Spec	
		Electronic Ignition 1 ohm	
	PSKVCS110	Viper High Output Dry Coil DLB110 Spec	
		Ballast Resistor Type 1.5 ohm	
	NEU100300	MPI Coil Pack Bracket	
6	SMB07	MPI Coil Pack Stainless Steel Bracket	
7	SMB28	Stainless Steel Coil Bracket	

Electrical

Electrical





Performance Alternators & Starters



Powerlite are leading manufacturers and suppliers of high performance rotating electrics for classic, performance, competition and kit cars. From show winning concourse classics to race winning dragsters they have the solutions available.

Powerlite Alternators

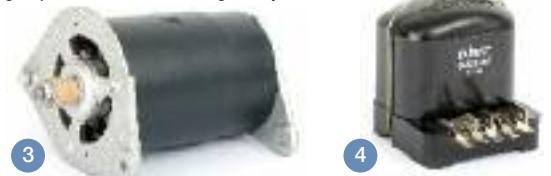
Powerlite Alternator compact lightweight units, are ideal for competition cars where weight and space are at a premium. Simple wiring on the units affords easy fitment when replacing original equipment alternators or dynamos on a wide range of vehicles.



- 1 RAC068 Lucas Type Lightweight Alternator
- 2 RAC903 Wiring Adaptor for RAC068 to Lucas Plug

Dynalite Dynamo lookalike Alternators

The Dynalite aims to bring together modern alternator technology with the classic looks and appearance of a Dynamo. Ideal for both road and competition use the Dynalite provides up to 80% more power and weigh up to 40% less than original dynamo units.



- 3 RAC006 Dynalite Alternator -C40 Dynamo Look a Like (-Earth)
- RAC024 Dynalite Alternator -C40 Dynamo Look a Like (+Earth)
- 4 RB106X Dummy Control Box for Dynalite Alternator



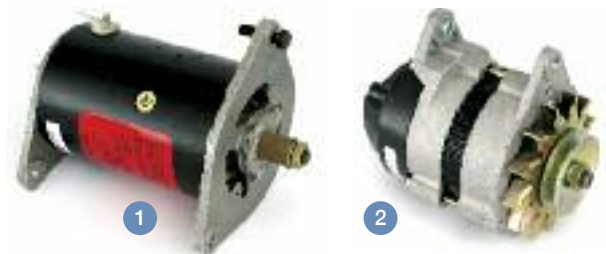
Powerlite High Torque Starter Motors

Powerlite Starter Motor lightweight units offer increased cranking speeds and more cranking power than original units, whilst drawing less current from the battery. The units are ideal for road competition applications, especially where engines have been tuned and adverse conditions require extra performance from the starter motor. All Powerlite starters are direct replacement for original units and require no modifications to the vehicle on which they are installed.

- 5 RAC468 High Torque Starter Motor - Pre Engaged '84-2001
- 6 RAC802 High Torque Starter Motor - SLIMLINE Inertia '59-84
- 7 RAC463 High Torque Starter Motor - Inertia '59-84
- RAC528 Powerlite Microstart Starter Motor - Pre Engaged



Replacement Alternators & Dynamos



- 1 GXE3101N Dynamo C40 Type NEW
- 2 GXE2211 Alternator 16/17ACR - pre '80 - 45 amp NEW
- 3 GXE2257E Alternator A115 - 45 amp - '80-'85 Exchange
- 4 GXE2851 Alternator A127 - 55 amp '85-'96 NEW
- 5 GXE2276 Alternator - 70 amp - '85-'96 inc SPI NEW
- 6 GNU2521 Alternator - '97-'01 MPi NEW
- SURALT2 Surge on Exchange Unit for GXE2257E
- 7 GEU6603 Voltage Regulator - Dynamo
- 8 GEU6609 Alternator Control Box - 3 Terminals 4TR Type
- SMB153 Alternator Bracket A+ Stainless steel
- SMB154 Alternator Adjusting Bracket Stainless steel
- SMB155 Alternator Bracket A Series Stainless steel
- SMB156 Alternator Bracket A+ Plated
- SMB157 Alternator Adjusting Bracket Plated
- SMB158 Alternator Bracket A Series Plated
- SMB69 MPi Alternator Terminal Cover Stainless steel
- SMB04 MPi Alternator Guard Stainless steel
- SMBFK033 Alternator Stainless Fitting Kit



A range of top quality direct replacement alternators and dynamos to suit all Mini models. Some units carry a surcharge on the old unit, if you can box your old unit up and send it back to us you will be refunded the original surcharge. This helps us to keep these rare parts available and keep Mini alive!

Fuse Boxes



- 1 RTC440A 4 Fuse Type Box - Inc Cover '76-'96
- 2 518995A Replacement Box Cover - 4 Fuse Type '76-'96
- 3 606253A 2 Fuse Type Box - Includes Cover '59-'76
- 4 505158A Replacement Box Cover - 2 Fuse Type '59-'76
- LMA711 8 Amp 4 Way Fuse Box - Screw Terminal
- LMA712 8 Amp 6 Way Fuse Box - Screw Terminal
- LMA713 8 Amp 8 Way Fuse Box - Screw Terminal
- LMA714 8 Amp 12 Way Fuse Box - Screw Terminal
- LMA716 8 Amp 4 way Fuse Box - Spade Terminal
- LMA717 8 Amp 6 way Fuse Box - Spade Terminal
- LMA719 Fuse Holder - Flat Type 6 Way
- LMA739 In Line Fuse Holder - Mini Blade Type
- LMA741 In Line Fuse Holder - 20Amp Includes Fuse
- LMA764 In Line Fuse Holder - S/Blade Type 30Amp



- 6 GFS Glass Inline Fuse - 5/10/15/20/25/30/35 AMP Fuse Each
- 7 PFS Plastic Spade Fuse - 5/10/15/20/25/30/35 AMP Fuse Each
- SMB02 MPI Engine Fuse Box Cover Stainless Steel
- SMB56 SPI Blade Fuse Box Top Cover Stainless Steel
- SMB60 Lucas Fuse Box Cover Cap Stainless Steel

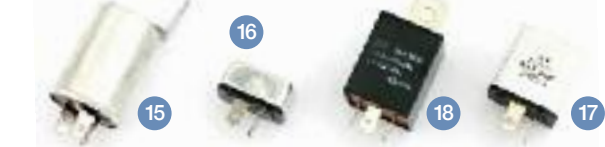
Relays & Relay Packs



- 8 YWB10012 YELLOW Type - Horn, Spotlamps, Fogs, Starter, Indicators, Alarm, Cooling Fan, & Oxygen Sensor '90 on
- 9 YWB000430 GREEN Type - Change Over Relay '85 on
- 10 YWC10050 PINK Type - Headlight Dim/Dip Relay '85-'96
- 11 DMC001352EVA RED Type - Screen Wiper Control '96 on MPi
- 12 YWB10022 Engine Management Relay Pack SPI only '92-'96
- 13 YWB100970 Engine Management Relay Pack MPi only '96-'01
- SMB12 Engine Relay Cover Stainless Steel
- SMB190 SPI Fuel Relay Cover Stainless Steel with map
- SMB190/1 MPi Fuel Relay Cover Stainless Steel with map
- 14 SMB201 MPi Fuel Relay Cover Stainless Steel no map
- SMB202 SPI Fuel Relay Cover Stainless Steel no map
- SMB177 MPi ECU Bracket Stainless Steel
- SMB206 MPi ECU Cover Enclosure Stainless Steel
- SMB207 MPi ECU Cover Plate Stainless Steel
- SMB194 MPi Fuel Cut Off Top Cover



Flasher Units



- 15 GFU2103 Indicator Flasher Unit Mk1
- 16 GFU2218 Indicator Flasher Unit Mk3 '70 on
- 17 GFU2221 Hazard Flasher Unit Pre '90
- 18 GFU2208 Hazard Flasher Unit Mk5 injection

Replacement Starter Motors



- 19 GXE4404N Starter Motor - Inertia Type 59-84 NEW
- 20 GXE4527 Pre-engaged Type - '84 on NEW
- SMBFK040 Starter Motor Stainless Fitting Kit

Starter Solenoids



- 21 S7051 Solenoid - Inertia Push Button Mk 1/2
- 5L925 Cable - Solenoid to Starter Motor 24" (610mm) Universal
- 22 NAF10004 Solenoid - Pre-engaged Type
- 23 13H5952 Solenoid - Inertia type - 3 Terminals
- 24 ADU5728 Solenoid - Inertia type - 4 Terminals '83-'85
- AUU1089 Positive Battery cable - 134" (3.4m) '85-'90
- YTA10037 Positive Battery Cable - 127" '90 on
- YTB10022 Negative Earth Battery Cable - Battery to Body

Wiper Motors & Fittings



- 1 GXE7708 Twin Speed Wiper Motor Mk2 on
- 2 RTC202A Inner Wire - Wiper Rack
- 3 AAU1909A Tube Kit - Wiper Rack Outer
- 4 37H4836 Strap and Rubber Holding Strip - Wiper Motor
- 5 37H7200 Wiper Wheel Box Each
- 6 ALA6642 Rubber Mounting Pad - Wiper Motor Each
- 7 RTC198A Mk1 Motor Brush Kit
- 520160A Park Switch - Wiper Motor
- 8 37H7201 Black Plastic Plinth Kit for Wheelbox Each
- WPA9028X Chrome Plinth Kit for Wheelbox Pair
- 9 14A7091 Rubber Grommet - Wiper Blanking Plug Each
- WPA9032X Stainless Steel - Wiper Blanking Plug Each
- 10 608092A Wiper Wheel Gear 46 Teeth - 110"
- 37H3694 Wiper Motor Ferrule between motor and cable tube





## Steering Column Switches



1	47H5200	MK1 - Green Lens	
2	2A6215	MK1 - RH - Indicator Stalk	'59-'67
	GLB280	MK1 - Bulb for Stalk	



3	13H7778	RH - Indicator Stalk - '67-'69	BULLET Connectors
4	13H7779	RH - Indicator Stalk - '69-'76	SPADE Connectors



	37H8285	LH - Wiper Stalk	'76-'84
	21A2658	RH - Indicator Stalk	'76-'84
5	21A2660	LH - Indicator Stalk	'84-'89
6	37H8286	RH - Wiper Stalk	'84-'89



7	BAU5345	LH - Indicator Stalk	'89-'96
8	BAU5346	RH - Wiper Stalk	'89-'96



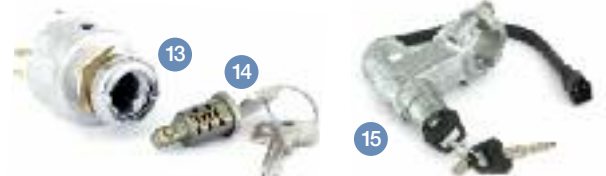
9	XPC100080PMP	LH - Indicator Stalk	'97-'01
10	XPE100280PMP	RH - Wiper Stalk	'97-'01

## Steering Column Cowl



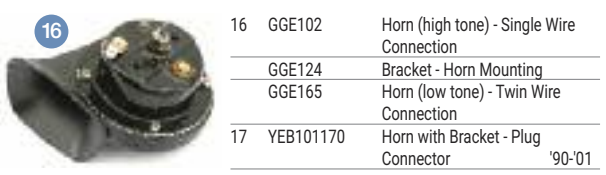
11	8G6027	MK1 with Green Type Indicator Stalk	
12	8G6035	MK2/3 No Steering Lock Hole	Pre '76
	BHM7085	MK3 on	1976-1997

## Ignition Barrels



13	13H337	Mk1/2 - 5 Blade Switch (Centre Dash)	
14	24G1345	Mk1/2 Ignition Barrel - 2 Keys	
15	BHM7107	Mk3/4 Ignition Switch & Column Lock - 2 Keys	'76-'96
	QRF100750	MPI Ignition Switch & Column Lock - 2 Keys	'96 on

## Horns



16	GGE102	Horn (high tone) - Single Wire Connection	
	GGE124	Bracket - Horn Mounting	
	GGE165	Horn (low tone) - Twin Wire Connection	
17	YEB101170	Horn with Bracket - Plug Connector	'90-'01



18	RINRAH122	Air Horn Kit	Twin Red Horns
	SMB11	Horn Bracket	Stainless Steel

## Sensors & Connectors



19	52016	Wiper Motor Connector With Short Loom	
20	YMV10064	Electronic Distributor Connector With Short Loom	
21	NNK10001	Air Inlet Temperature Sensor	
22	GTR185	Temp Sensor SPI	



23	ADU7340	Crankshaft Sensor	
	SMB79	Crankshaft Sensor Bracket	Stainless Steel
24	MHK10004	Lambda Sensor	
	NSC100390	Camshaft Sensor MPI	
25	GPS135	Oil Pressure Switch MPI	
26	GPS133	Oil Pressure Switch	



27	MEK100060	Fan Sensor	
28	MHK100600	Map Sensor MPI	
29	GVS104	Fan Switch	
30	YWL10010	Coolant Temp Sensor	
	YMQ105690	Mini Coolant Fan Sensor Connector With Short Loom	

## Courtesy Light Switch (Door)



YUE100470	Switch Plastic - Courtesy Light	Mk3 on
AB606031	Screw - Courtesy Light Switch	Each

## Toggle Switches



1	LMA758/R	Metal - ON - OFF, RED LED in the End	Spade
	LMA758/G	Metal - ON - OFF, GREEN LED in the End	Spade
	LMA758/B	Metal - ON - OFF, BLUE LED in the End	Spade
	LMA758/A	Metal - ON - OFF, AMBER LED in the End	Spade
2	LMA754	Metal ON - OFF 25A	Screw
3	LMA828	Amber Illuminated switch - other colours	
	LMA829 - Blue, LMA830 - Green, or LMA831 - Red		
4	LMA759	Plastic ON - OFF	
5	LMA760	Plastic Heavy Duty ON - OFF	Screw
6	LMA768	Plastic Heavy Duty ON - OFF - ON	Screw
7	LMA762	Plastic Long Toggle - Easy Reach ON - OFF	Spade

## Rocker or Push/Pull Switches



8	LMA846	Illuminated - Rocker Switch - Amber	
	LMA847 - Blue, LMA848 - Green, LMA849 - Red		
9	LMA841	Plastic ON/OFF - 20 amp	
10	LMA844	Plastic LED ON/OFF - Red	
	LMA 842 - Amber, LMA843 Green		
11	LMA736	Push - Pull ON - OFF	
12	LMA731	Push/Pull - Illuminated Green	
	LMA730 - Amber, LMA732 - Red		

## Warning Lights



14	LMA878	12mm OD - Push Fit & Chrome Ring Finisher - Blue	
15	LMA879	12mm OD - Push Fit & Chrome Ring Finisher - Amber	
16	LMA880	12mm OD - Push Fit & Chrome Ring Finisher - Green	
17	LMA881	12mm OD - Push Fit & Chrome Ring Finisher - Red	
18	LMA750	17mm OD - Threaded with Locking Nut - Blue	
19	LMA751	17mm OD - Threaded with Locking Nut - Amber	
20	LMA752	17mm OD - Threaded with Locking Nut - Green	
21	LMA753	17mm OD - Threaded with Locking Nut - Red	



## Switches



1	LUC31780	Mk1 Cooper & Cooper S Wiper Toggle Type	
2	LUC31788	Cooper & Cooper S Headlamp Toggle	
3	13H6342	Headlamp Switch - 3 Blade	Mk3 '69-'76
4	13H6343	Wiper Switch - 3 Blade - Single Speed	Mk3 '69-'76
5	13H6444	Wiper Switch - 4 Blade - Twin Speed	Mk3 '69-'76



6	YUF101030	Headlamp Switch - 3 Rounded Pin - Mk4	To '97
7	YUF101660	Hazard Switch - 6 Rounded Pin	'76-'01
8	YUF101670PMA	Front Fog Lamp Switch - 2 Rounded Pin	'76-'01
9	YUF101690	Rear Fog Lamp Switch - 2 Rounded Pin	'76-'01



10	YUF101020	Rear Heated Screen Scrutch - 2 Rounded Pin	'76-'01
11	YUF101650	Brake Test Switch - 2 rounded Pin	'76-'01
12	YUF101090	Heater Switch	to '96
12	YUF101410	Heater Switch - 2 Speed	NLA



## Dash Mounting Panels & Fixings



13	ALA6640	Alloy Switch Surround	
14	JPC2839	4 Hole Black Switch Panel	
	FBX10012	5 Hole Black Switch Panel	
	14A7172	MK1 Switch Panel Surround	
15	14E3386	MK1 Switch Panel	
	MCR11.71.04.05	Switch Mounting Panel Adaptor to MK1 Size	
	MONMCSS	5 Switch Panel Surround - Chrome	





Cooper S Mk1 Braided Loom



Cooper S Mk3 Taped Loom

### MK3 Mini Wiring Looms

5L1331	MK3 Mini '76on Fitted with Alternator. Heated Rear Screen, 3 Clock Centre Binacle.	Taped
5L954	MK3 Mini & Cooper S '69-'76 Fitted with Dynamo. Heated Rear Screen, 3 Clock Centre Binacle	Taped
5L874	Mini Clubman to '74 - with Dynamo	Taped
5L874A	Mini Clubman to '74 - with Alternator	Taped

### MK4/5 Mini Wiring Looms

HAM2315	Mk4 Mini 2/3 Clock Dash with Inertia Starter, Alternator, 2 Speed Wipers, 3 Plug Column Switch, Rear Fog Light, Brake Fluid Level Switch & Hazard Warning Lights.	Taped
HAM2315L	Mini Clubman Models '74 on with Alternator	Taped
HAM4626	Mk4 Mini with Pre Engaged Starter Motor. '86-'89 pre Brake Servo	Taped
HAM7000	Mk4 Mini 998cc from 1990	Taped
YMC120000	MK5 - MPI Complete Wiring Loom '97-'01	Taped
AN184	SPI Main Wiring Loom '92-'96 Year and Chassis no. required	Taped
AN189	SPI Rear Wiring Loom '92-'96 Year and Chassis no. required	Taped
AN195	SPI - Injection System Wiring Loom '92-'96 Year and Chassis no. required	Taped

**Please Note:** Some connectors may need to be swapped from the original wiring loom to the replacement.

### Van, Traveller & Pick-up

5L518V	Van/Traveller with Dynamo	Braided
5L672V	Van/Traveller with Alternator	Braided
5L191V	Van - with dynamo and Floor Start	Braided
5L191P	Pick-up with Dynamo and Floorstart	Braided
5L672P	Pick-up with Alternator	Braided
5L518P	Pick-up with Dynamo	Braided
5L692P	Pick-up with Alternator	Braided
5L692V	Van/Traveller, Braided with Alternator	Braided
LUCEES127	Traveller, Taped with Alternator	Taped
HAM2315V	Van - Late Type	

### Special Wiring Looms



LUCEES024	Dash Conversion - Centre to Side Binnacle	NLA
LUCEES025	Dash Conversion - Side to Centre Binnacle	NLA
1	LUCEES027 Side Repeater Wiring Loom	
	LUC4.SPOT Spot Lamp Harness - 4 Lamps	
	LUC4.SPOTGEN Spot Lamp Harness - 4 Genuine Lamps	
	BAU2111 Headlamp Connector & Wiring	
2	LUCHARNESS Wiring - Drive & Fog Lamp Genuine Rover Type	Each

Our wiring harnesses are manufactured in a variety of finishes. We use British Standard 6862 PVC insulated automotive cable where applicable. Once the harnesses are laid they are bound in either PVC harness tape or a cloth braiding depending on your Mini model.

Original Manufacturers colour coding is used where possible; terminals and fittings are supplied where necessary. We go to great lengths to obtain original-type terminals but on older vehicles some wiring accessories may no longer be manufactured. If terminals and fittings are unobtainable we may omit or substitute for a suitable alternative.

The new harnesses are not labelled but will follow the pattern of an original harness. A good tip is to label the old harness up as you take it off. You can then use this as a guide for the replacement. Wiring diagrams are useful to identifying each branch on the harness and location for the wiring in each vehicle, however be aware there can be a few out there for the same vehicle but will say different things. We do not supply a wiring diagram but online we do offer the British Standard Colour code.

Whilst we try to keep as many harnesses as possible in stock some may have to be built. This can be up to 21 days from receipt of payment. Bespoke harnesses are available on request. Please call with your requirements.

### MK1 Mini Wiring Looms

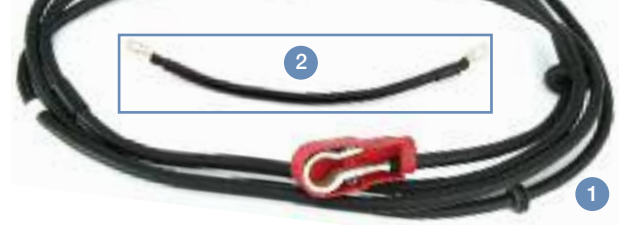
5L191	MK1 1959-63 Floor Start with Coil on Dynamo and Single Speedo Clock Only	Braided
5L503	MK1 Mini, Cooper and Mini Deluxe '64-'67 Key Start, Dynamo, 3 Clock Centre Binacle.	Braided
5L224	MK1 Mini, Cooper and Mini Deluxe '64-'67 Key Start, Dynamo, 3 Clock Centre Binacle.	Taped
5L670	MK1 Mini, Cooper and Mini Deluxe '64-'67 Key Start, 3 Clock Centre Binacle. (Alternator Upgrade)	Braided
5L672	Mk1 Cooper S Fitted with Alternator	Braided
5L518	Mk1 Cooper S Fitted with Dynamo	Braided

**Please Note:** All wiring looms listed can be modified or altered to suit your Minis specific requirements, spot lights, fog lights, extra instruments etc. Please contact our sales team for a quote or to discuss your requirements. Please allow 21 days for modifications.

### MK2 Mini Wiring Looms

5L594	Mk2 Mini and Cooper Fitted with Dynamo	Braided
5L691	Mk2 Cooper S Fitted with Dynamo	Braided
5L832	Mk2 Cooper S Fitted with Dynamo	Taped
5L692	Mk2 Cooper S Fitted with (Alternator Upgrade)	Braided

### Battery Cables & Earth Straps



AUU1089	Positive Battery Cable - 134" (3.4m)	'85-'90
1	YTA10037 Positive Battery Cable - 127" (3.22m)	'90 on
	YTB10022 Negative Battery Cable - Short	
2	YMS10090 Earth Strap - Engine to Body	'59-'96
	5L925 Starter to Solenoid Cable - 24"	Universal

### Battery Fixings



1	NCMPT3010 Battery Cover - Saloon Models	
	NCMPT3013 Battery Cover - Van/Pick Up	
2	14A7776 Battery Cover Rubber Strap	
3	HAM2457 Battery Bar - Metal Clamping Bracket	'75 on
4	5L1158 Battery Bolt - With Loop - 60mm	to '90
5	5L1159 Battery Bolt - 'J' Shape - 60mm	to '90
6	YJH100010 Battery Bolt - With Loop - 85mm	'90 on
7	YJJ100040 Battery Bolt - 'J' Shape - 75mm	'90 on
	Nut - Battery Bolt - All	
	Washer - Battery Bolt	
	SMB140 Battery Cable Bracket for Clutch Housing	Stainless Steel



### Battery Cut-Off Switches



1	LMA785/1 Battery Cut Off Switch	
	LMA785/2 Battery Cut Off Switch - <b>Waterproof</b> - Straight Terminals	
2	LMA786 Battery Cut Off Switch - <b>Waterproof</b> - Angled Terminals	
3	LMA788 Battery Master Switch	- FIA approved
4	LMA787 Battery Cut Off Switch Spare Key	
	LMA789 Battery Master Switch Spare Key	
5	DIS-CAR-NECT	Battery Terminal with a simple but effective Mini immobiliser.



### Headlamp Bulbs

Replacement bulbs for halogen Mini headlamps, available in standard or high power outputs.

GLB472	H4 Halogen Bulb 60/55w (Main/Dip)	
RINR490	H4 Halogen Bulb 130/90w (Main/Dip)	
RINR484	H4 Halogen Bulb 100/80w (Main/Dip)	
GLB233	Side Lamp Bulb - '90 on	
LUC414	P700 Headlamp Bulb 50/40w (Main/Dip)	Each

### Spotlight Bulbs

1	RINR481	H1 bulb 100w (High Power) - RING Lamp	Each
	RINR479	H2 bulb 55w (Standard) - RING Lamp	Each
2	RINR480	H2 bulb 100w (High Power) - RING Lamp	Each
	GLB453	H3 bulb 55w (Standard)	Each
3	RINR483	H3 bulb 100w (High Power) - RING Lamp	Each

### Indicator Bulbs - Front or Rear

4	GLB382	Standard Clear Glass Straight Pin Bulb	Each
5	RINR343	Orange Glass Straight Pin Bulb - to '97	Each
6	SPDWB343C	Silver Glass Straight Pin Bulb - to '97	Pair

### Side Repeater Bulbs

	GLB501	Clear Glass, Standard	Each
7	SPD0000	Orange Glass	Each
	SPDWB501C	Silver Glass	Each

### Rear Lamp Bulbs

8	GLB380	Brake/Sidelight Dual Filament Clear Glass	Each
9	GLB380RED	Brake/Sidelight Dual Filament Red Glass	Each
10	SPDWB380C	Brake/Sidelight Dual Filament Silver Glass	Each
	GLB382	Reverse Clear	Each

### Other Bulbs

11	GLB987	Centre Speedo Illumination Bulb - Screw Fit	Each
12	GLB239	Interior Light Festoon Bulb	Each

### Map Lights - Adjustable

1	GRAGE40	Avanti Rally - Side Exit Light	30cm
2	GRAGE42	Avanti Pro - Top Exit Light	45cm
	GRAGE41	Pro Series - Unswitched	30cm
	GRAGE46	Avanti 70 Series - Switched	45cm

Electrical

Electrical



### Quadoptic Halogen Headlamp Conversion

7" Round UK (RHD) or Euro (LHD) headlamps, Metal Reflectors (pair), complete with H4 60/55W bulbs, and sidelight

QUAD	Quadoptic Halogen Conversion - RHD	Pair
QUADLHD	Quadoptic Halogen Conversion - LHD	Pair
S4700	Quadoptic Replacement Headlamp - RHD	Each
S4701	Quadoptic Replacement Headlamp - LHD	Each
S5841	Quadoptic Headlamp Connector and Wiring	

### Halogen Headlamp Units & Parts



S5812B	Complete Headlamp Assembly, with Metal Reflector Quadoptic Unit with Sidelight	RHD
1 S5819B	Complete Headlamp Assembly, with Metal Reflector Quadoptic Unit with Sidelight	LHD
2 S6010	7" Plastic Reflector H4 Headlamp Unit	RHD
S6011	7" Plastic Reflector H4 Headlamp Unit	LHD
S6072	7" H4 Headlamp Unit, Freeform Reflector, Polycarbonate Lens with Side Light	RHD
S6074	7" H4 Headlamp Unit, Freeform Reflector, Polycarbonate Lens with Side Light	LHD
3 S8000	H4 Headlamp Replacement	RHD
S8001	H4 Headlamp Replacement	LHD

### Crystal Headlamps



Crystal halogen headlights for classic Mini. Come as a pair with halogen bulbs. NONE 'E' Marked

SPDWF-D6019	Crystal Headlamps - with Angel Eye	Pair
-------------	------------------------------------	------

### MPI '97on Headlamp Units & Parts



Complete Assemblies by Wipac include - Headlamp, Headlamp Bowl & Mountings

S6042	Assembly - With Rim, No Motor Mount	RHD
1 S6043	Assembly - No Rim, No Motor Mount	RHD
2 S6044	Assembly - No Rim, With Motor Mount	RHD
3 S6045	Assembly - No Rim, With Motor, Long Lead	LHD
S6046	Assembly - No Rim, With Motor, Short Lead	LHD
S6047	Headlamp Levelling Motor - Non Genuine	'97on
XBS100140	Motor - Headlamp Unit - '97-01	GENUINE

### P700 Style Headlamps



Tripod Light with 'P700' in the centre, right hand drive with sidelight.

P700.PL	P700 Classic Unit with Side Light - RHD	Each
---------	---	------

### Headlamp Fittings & Parts



1 99-01-003	Headlamp Bowl	To '96
2 S5402	Headlamp Bowl for Headlamp Levelling Motor	MPI
BHM7058	Headlamp Adjusting Kit	Each
3 DHF100060	Headlamp Rim - Outer Chrome Bezel	GENUINE '97-'01
500929	Headlamp Rim - Outer Chrome Bezel	To '97
S5435	Headlamp Rim - Non Genuine	'97-'01
4 DHF100010MMM	Inner Chrome Bezel	'97-'01
515218A	Inner Chrome Bezel for Steel Headlamp Bowls	To '97
S5401	Inner Chrome Bezel for Plastic Headlamp Bowls and 1997 on Minis	
5 9403	Rubber Headlamp Bowl Seal with Lugs	



6 YUK100140	Headlamp Level Switch - Dash	'97-'01
7 MONHP1	Headlamp Peaks	Pair
8 MONHG1	Headlamp Stone Guards	Pair

### Works Style Lamp & Bar Kit

Works Stainless Steel lamps and bar kit. A brilliant kit based on the classic design of the Works Mini's from the 60's and 70's.



1 ACCKIT2	Lamp Bar Kit, Stainless Steel	
ACCKIT2L	Lamp Bar Kit, Stainless Steel - with Wiring Loom	
LUC4-SPOT	Wiring Harness for 4 Spot Lamps	
SPD0018	Stainless Lamp Bar	

Comes with:-  
• 1 x stainless steel lamp bar  
• 2 x stainless fog lamps  
• 2 x stainless drive lamps  
• Mounting brackets.



Original design steel Works lamp bar finished with a black powder coating.

2 WRB37B	Works Rally Lamp Bar	Black
----------	----------------------	-------

### Cooper Tinted Lamp Covers

Give extra protection to your Cooper Lamps from stones and other debris from the drivers in front. Slightly tinted and come with white Cooper Laurel decals. Simply clip over your spot lamps.



1 XBV100300	Cooper Tinted Lamp Covers	Pair
LUC4-SPOTGEN	Wiring Harness for Cooper Lamp Kit	
LUC4HARNES	Replacement Wire for Lamp with Plug Connector.	

### Rally Giant & Road Runner Spot Light Kits

Twin Metal Backed 'E' Approved Rally Lamps with white daytime covers & mounting brackets. Complete with 2 x 12 Volt H3 55w halogen bulbs. Fitting Instructions.



1 RINRL030C	Rally Giant Spot Lamps inc Covers	Pair
-------------	-----------------------------------	------

Ring Roadrunner Round Driving Lights. These driving lights from Ring are 155mm in diameter and will brighten up dark country roads. Complete with mounting brackets and H3 55w halogen bulbs.



2 RIN020	Road Runner Spot Lamps	Pair
----------	------------------------	------

### Stainless Steel 6" Fog or Spot Lamps

These 6" driving lights are finished in polished stainless steel and come complete with mountings and 55w H3 bulbs



SPDSP0089SS	Stainless Steel Spot Lamp Kit	Pair
SPDSP0090SS	Stainless Steel Fog Lamp Kit	Pair

### Classic Style 5 1/2" Chrome Lamps



Classic Style 5 1/2" Chrome Fog Lamp Set, complete with 55W bulbs and Wipac plastic covers.

S6007	Classic Style 5 1/2" Chrome Spot Lamps	
S6078	Classic Style 5 1/2" Chrome Fog Lamps	

### Classic Style Mini Driving Lamps



Classic Style Mini Driving Lamp Set, complete with 55W bulbs. Available in Chrome or Stainless Steel Finish

S6055	Classic Style Mini Chrome Driving Lamps	
S6066	Classic Style Mini Stainless Steel Driving Lamps	

### Wiring Kit for Drive Lamps



Wiring Kit suitable for all Wipac 12v Driving Lamp Sets

S6075	Wiring Kit for Spot Lamps (2 x Lamps)	
-------	---------------------------------------	--

### Spot Lamp Brackets



1 XBU10044	Rover Cooper Drive Lamp Bracket	Each
XBU100640	Rover Cooper RH Fog Lamp Bracket	Each
XBU100650	Rover Cooper LH Fog Lamp Bracket	Each
SPDSB035	Stainless Steel Spotlamp Brackets	Pair
2 SMB172	Stainless Steel fog Light Brackets (as XBU100640/650)	Pair
SMB172/1	Stainless Steel Double Inner Lamp Bracket	
SMB172/2	Stainless Steel Drive Light Bracket (as XBU10044)	Pair
XBU10046	Stainless Steel Lamp Bracket	Each





Mk1 & Mk2 Indicator Lamps & Fixings



1	CHM13	Lamp Unit - Early - Push Fit - Plastic	Amber
2	2A9013	Lamp Unit - Early - Push Fit - Glass	Amber
3	1B9100G	Lamp Unit - Early - Push Fit - Glass	Clear
4	1B9100	Lamp Unit - Early - Push Fit - Plastic	Clear



5	L59454581651	Lens Only - Early - Glass	Amber
	37H6928P	Lens Only - Early - Plastic	Clear
6	37H6928	Lens Only - Early - Glass	Clear
7	37H8130	Lens Only - Early - Plastic	Amber



8	37H5528	Early - Metal Bulb Holder	
9	508162	Early - Rubber Boot for Back of Lamp	
10	7H5182	Early - Chrome Outer Locating Ring	

Indicator Lamps & Fixings - Mk3 onwards



11	AFU3389	Lamp Unit - Mk3/4 - Screw Type	Amber
12	XBD100670	Lamp Unit - Mk5 '97-01	Clear
	CDU3374	Lens Only - Mk3/4	Amber



14	575457A	Lamp Unit - Mk3/4 - Screw Type	Clear
15	589284	Lens Only - Mk3/4/5	Clear

Clubman Indicator Lamps



1	ADU3017	Indicator Unit Complete - Clubman Front	- LH
	ADU3018	Indicator Unit Complete - Clubman Front	- RH
2	BAU1796	Indicator Lens - Clubman Front	
	518868	Screw for Clubman Indicator Lens	

Side Repeaters



1	AHU2592W	Clear Side Repeater Lamp	Each
2	AHU2592	Amber Side Repeater Lamp	Each
3	LUCE5027	Side Repeater Wiring Loom	Each
4	DCP8004	Bulb Holder for Side Repeater	Each
5	AAU3296A	Mini Special Side Repeater	



Indicator Bulbs - Front or Rear

1	RINR343	Orange Glass Straight Pin Bulb - to '97	Each
2	SPDWB343C	Silver Glass Straight Pin Bulb - to '97	Pair
3	GLB382	Standard Clear Glass Straight Pin Bulb	Each

Side Repeater Bulbs

4	GLB501	Clear Glass, Standard	Each
	SPD0000	Orange Glass	Each
	SPDWB501C	Silver Glass	Each

Rear Lamp Bulbs

5	GLB380RED	Brake/Sidelight Dual Filament Red Glass	Each
6	SPDWB380C	Brake/Sidelight Dual Filament Silver Glass	Each
7	GLB380	Brake/Sidelight Dual Filament Clear Glass	Each
	GLB382	Reverse Clear	Each

Other Bulbs

8	GLB987	Centre Speedo Illumination Bulb - Screw Fit	Each
9	GLB239	Interior Light Festoon Bulb	Each
	GLB989	Mk1 Number Plate Lamp	
	GLB239	Mk3 Number Plate Lamp	

Reverse Lamps



6	WFT576R-L	Works Type Chrome Reverse Lamp (Boot Mounted)	
7	SPDYL-5925C	Stainless Steel - Mounts Under Rear Bumper	

Rear Fog Lamps



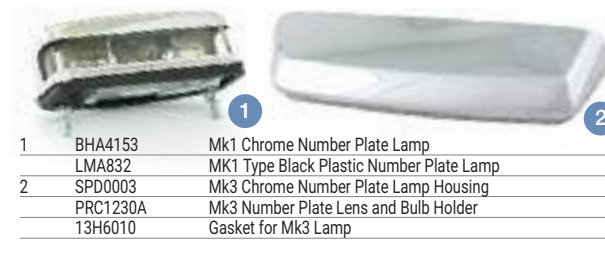
8	XFE10006	Mk4 Lamp - Mounts Under Valance	
9	SPDYL-5925R	Stainless - Mounts Under Valance	
	XFU10002	R/H Rear Fog Lamp Bracket	
	XFU10003	L/H rear Fog Lamp Bracket	
	SMB144	Stainless Steel Fog Lamp Bracket	RHD
	SMB74	Stainless Steel Fog Lamp Bracket	LHD

Interior Lamp



1	EAM1650	Interior Lamp	1974-85
2	24G3389	Interior Lamp Lens	1974-85
3	17H9971	Interior Lamp Lens	Pre 1974
4	SMB181	Interior Lamp Surround	Stainless

Number Plate Lamps & Lenses



1	BHA4153	Mk1 Chrome Number Plate Lamp	
	LMA832	Mk1 Type Black Plastic Number Plate Lamp	
2	SPD0003	Mk3 Chrome Number Plate Lamp Housing	
	PRC1230A	Mk3 Number Plate Lens and Bulb Holder	
	13H6010	Gasket for Mk3 Lamp	

Clear Rear Lens Kits



22	ACCKIT3	Full Car Clear Lens Kit 1986-96	
23	MSSK035	Clear Upper Rear Lens Kit inc Bulbs	

Mk1 Rear Lights & Fittings



1	13H222	Complete Rear Lamp Unit	LH
2	13H223	Complete Rear Lamp Unit	RH
3	47H5355	Indicator Upper Lens - AMBER	LH
4	47H5362	Indicator Upper Lens - AMBER	RH
5	47H5358	Stop Light/ Tail Lens - RED	LH
6	47H5363	Stop Light/ Tail Lens - RED	RH
7	MCR12.12.00.47	Mk1 Lamp Conversion Plate	LH
8	MCR12.12.00.48	Mk1 Lamp Conversion Plate	RH
	47H5360	Mk1 Rear Lens Screw Kit	Per lamp
9	57H5399	Lens Foam Gaskets	Pair

Mk2/3 Rear Lights & Fittings



10	13H6480	Complete Rear Lamp Unit	LH
11	13H6479	Complete Rear Lamp Unit	RH
12	37H4838	Lens Only - 1 Piece	RH
13	37H4837	Lens Only - 1 Piece	LH
14	37H2689	Rubber Seal - Light Unit to Body	LH
15	37H2690	Rubber Seal - Light Unit to Body	RH
	37H6278	Rear Lens Gasket	

Mk3/4 Rear Lights & Fittings



16	XFB10083	Complete Rear Lamp Unit	LH
17	XFB10082	Complete Rear Lamp Unit	RH
18	XFJ10027	Indicator - Upper Lens - AMBER	LH
	XFJ10026	Indicator - Upper Lens - AMBER	RH
	XFJ10029	Reverse - Lower Lens - CLEAR	LH
19	XFJ10028	Reverse - Lower Lens - CLEAR	RH
20	37H2691	Rubber Seal - Light Unit to Body	LH
	37H2692	Rubber Seal - Light Unit to Body	RH
21	XFH100460	Foam Gasket - Lens (Not Handed)	Each
	XYP100310	Rear Lens Screw 1976on	Each

Lighting

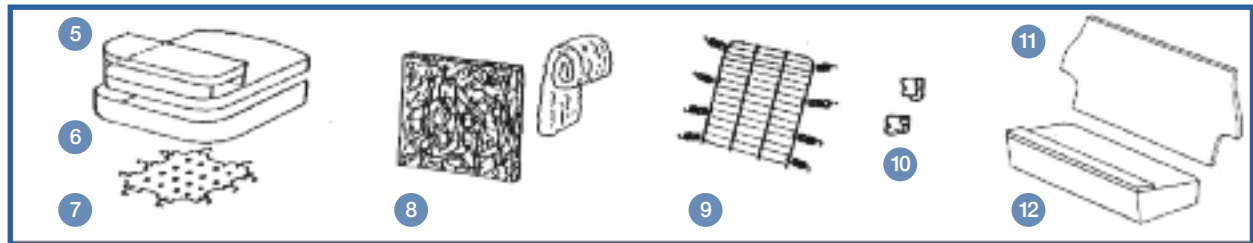
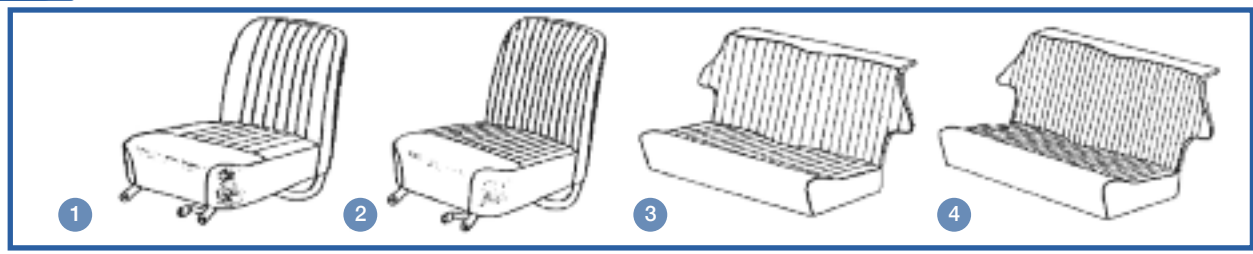
Lighting





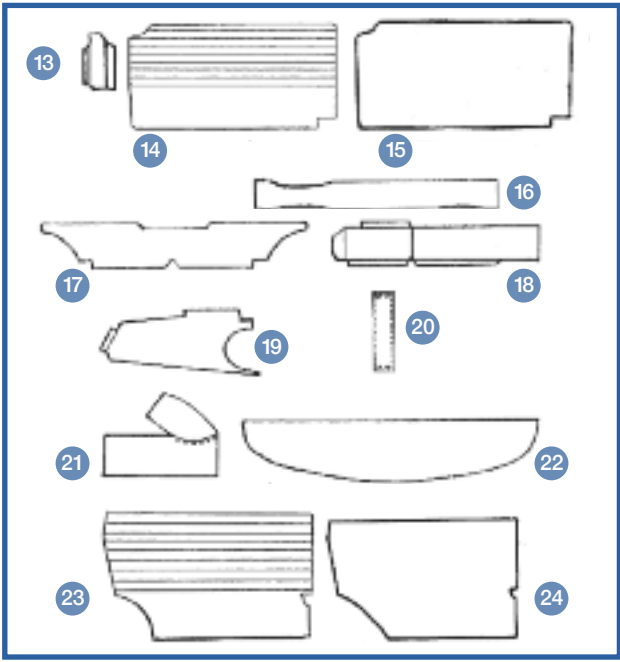


Interior Trim

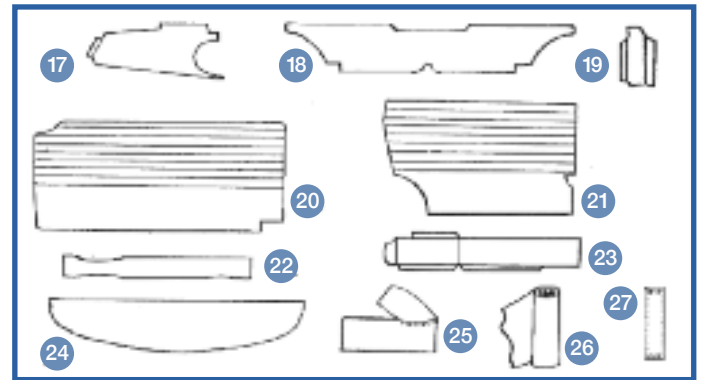
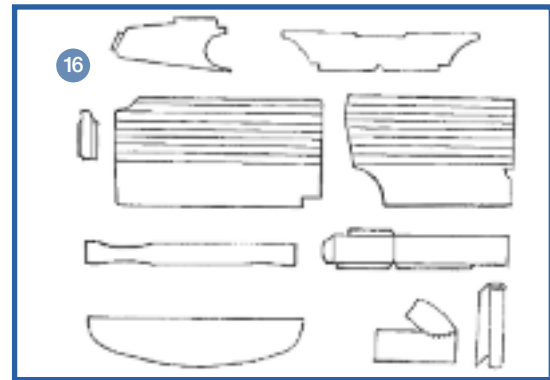
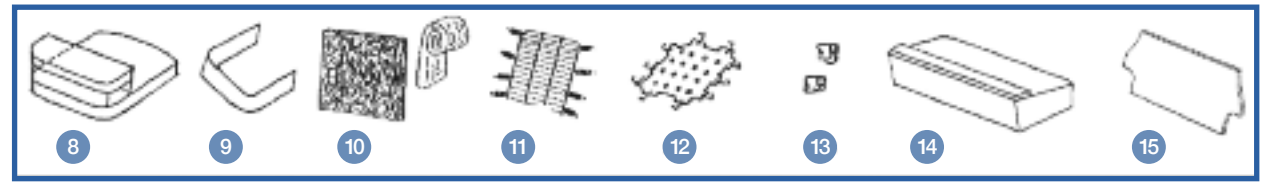
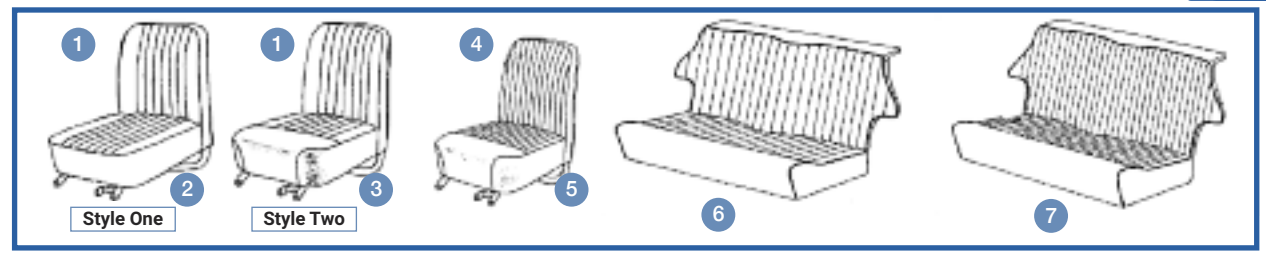


Mini Mk1 Saloons 1959-62

1	NCMSC3102	Front Seat Kit Morris to Nov 1959
	NCMSC3105	Front Seat Kit Morris from Nov 1959 - 5 Sewn Lines on Front Seat
2	NCMSC3118	Front Seat Kit Austin to 1961 - 11 Welded Lines
2	NCMSC3106	Front Seat Kit Austin from 1961 - 11 Welded Lines
1	NCMSC3104	Front Seat Kit - 7 Sewn Lines
	NCMSC3108	rear Seat Kit - Morris Early Style - Covers Rear Wheel Arches
	NCMSC3107	Rear Seat Kit - Morris Later Style - Separate Arch Covers
	NCMSC3117	rear Seat Kit - Austin Early Style - Covers Rear Wheel Arches
3	NCMSC3109	Rear Seat Kit - Austin Later Style - Separate Arch Covers Sewn Flutes
4	NCMSC3110	Rear Seat Kit - Austin Later Style - Separate Arch Covers Welded Flutes
5	NCMSF659	Front Seat Base Foam
6	NCMSF660	Front Seat Base Wrap
7	NCMC705	Front Seat Base Diaphragm
8	NCMSF666	Front Seat Squab Padding Kit
	NCMST3000	Early Front Seat Strap Kit
	NCMC725	MK1 & MK2 Squab Cover Metal Tab Insert Kit
10	NCMC707	Pack of 20 Seat Frame Kits
	NCMSF670EARLY	Rear Seat Foam Kit 1959-60
	NCMSF670	Rear Seat Foam Kit 1961-62
11	NCMSF669	Rear Seat Squab Foam for Wire Frame Seat
12	NCMSF671	Rear Seat Base Foam
13	NCMDP3022	Pair of Door Fillet panels - Per Door
	NCMDP3110	Pair of Door Panels - Morris only to Nov 1959
14	NCMDP3021	Pair of Door Panels - Welded Type
15	NCMDP3101	Pair of Door Panels - Plain Type
16	NCMDP3023LH	Door Pocket Liner LH
16	NCMDP3023RH	Door Pocket Liner RH
17	NCMDT3022	Dash Tray Liner
	NCMWA3053	Pair of Rear Pocket Liners - Morris to Nov 1959 - Ashtray and Interior Light Cut Outs
	NCMWA3054	Pair of Rear Pocket Liners - from Nov 1959 - Ashtray and Interior Light Cut Outs
18	NCMWA3023	Pair of Rear Pocket Liners - Ashtray Cut Out
19	NCMDT3101	Speedo Surround Panels - Round Binnacle
19	NCMDT3021	Speedo Surround Panels - Oval Binnacle
20	NCMDC3005	Door Check Strap
21	NCMWAC3024	Pair of Rear Wheel Arch Covers
	WAC3026	Wheel Arch Cover Foam Padding
22	NCMWA3021	Parcel Shelf Liner
	NCMWA3110	Pair of Rear Quarter Panels - Morris only to Nov 1959 - Screw Fixing
23	NCMWA3022	Pair of Door Panels - Welded Type - Push Fixing
	NCMWA3109	Pair of Rear Quarter Panels - Plain Type - Early Screw Fixing
24	NCMWA3101	Pair of Door Panels - Plain Type - Later Push Fixing



<b>Colours Available</b>	Black/Grey Fleck	Powder Blue/Grey Fleck
	Porcelain Green/Grey Fleck	Spanish Red/Grey Fleck
	Tartan Red/Grey Fleck	Spanish Blue/Grey Fleck



Mini Mk1 Saloons 1962-67

1	NCMSC3007	Front Seat Squab Cover - Stitched Type - Style One
2	NCMSC3004	Front Seat Base Cover - Stitched Type - Style One
3	NCMSC3006	Front Seat Base Cover - Stitched Type - Style Two
4	NCMSC3002	Front Seat Squab Cover - Welded Type
5	NCMSC3001	Front Seat Base Cover - Welded Type
6	NCMSC3008	Rear Seat Kit - Stitched Type
7	NCMSC3003	Rear Seat Kit - Welded Type
8	NCMSF659	Front Seat Base Foam Cushion
9	NCMSF660	Front Seat Base Frame Foam Wrap
10	NCMSF666	Front Seat Squab Padding Kit
11	NCMC708	Front Seat Squab Diaphragm
12	NCMC705	Front Seat Base Diaphragm
	NCMC725	MK1 & MK2 Squab Cover Metal Tab Insert Kit
13	NCMC707	Packet Of 20 Seat Frame Clips
14	NCMSF671	Rear Base Foam
15	NCMSF669	Rear Squab Foam
16	NCMTK3008	Interior Panel Kit Round Speedo Binnacle
16	NCMTK3000	Interior Panel Kit Oval Speedo Binnacle
17	NCMDT3024	Pair Of Speedo Panels Round Speedo Binnacle
17	NCMDT3021	Pair Of Speedo Panels Oval Binnacle
18	NCMDT3022	Padded Dash Tray Liner
19	NCMDP3022	Pair Of Fillet Panels Per Door
20	NCMDP3021	Pair Of Door Panels
21	NCMWA3022	Pair Of Rear Quarter Panels
22	NCMDP3023LH	Door Pocket Liner - Left hand
22	NCMDP3023RH	Door Pocket Liner - Right hand
23	NCMWA3023	Pair Of Rear Pocket Liners
24	NCMWA3021	Rear Parcel Shelf Panel
25	NCMWAC302	4 Pair Of Rear Wheel Arch Covers
	WAC3026	Wheel Arch Cover Foam Padding
26	NCMDT3028	Dash Surround Material Black
27	NCMDC3005	Door Check Strap Each

<b>Colours Available</b>	Cumulus Grey	Powder Blue
	Dove Grey	Tartan Red
	Porcelain Green	



Interior Trim



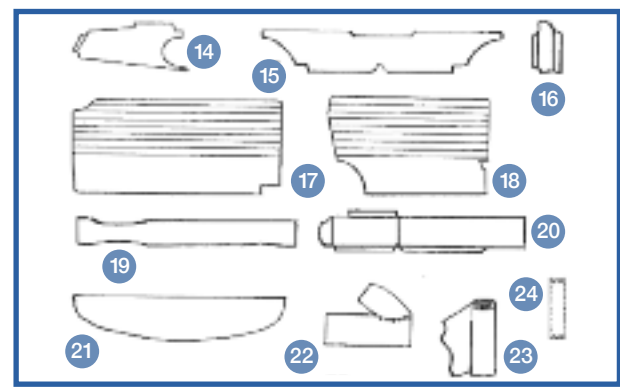
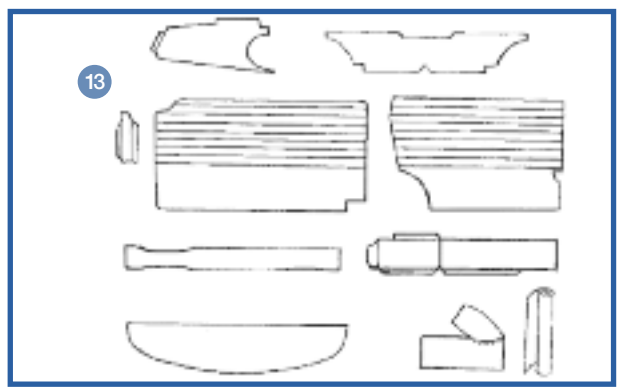
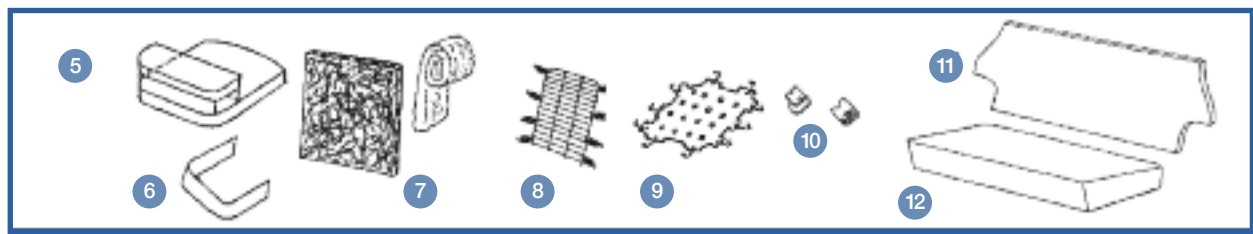


Scan Me



Scan Me

Interior Trim



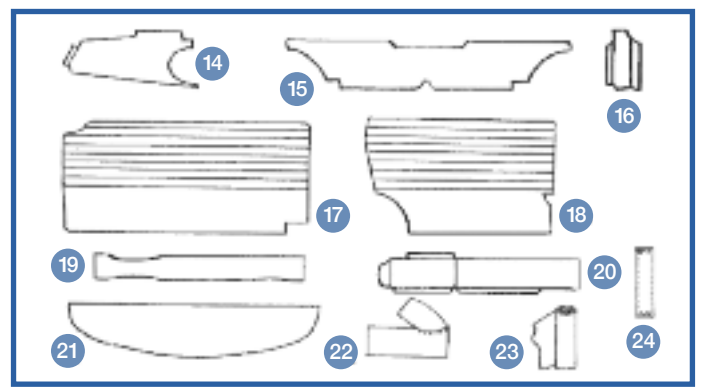
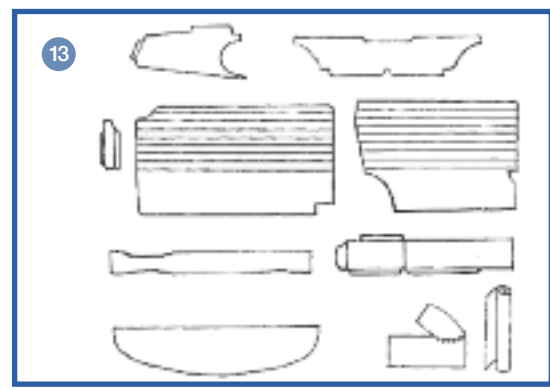
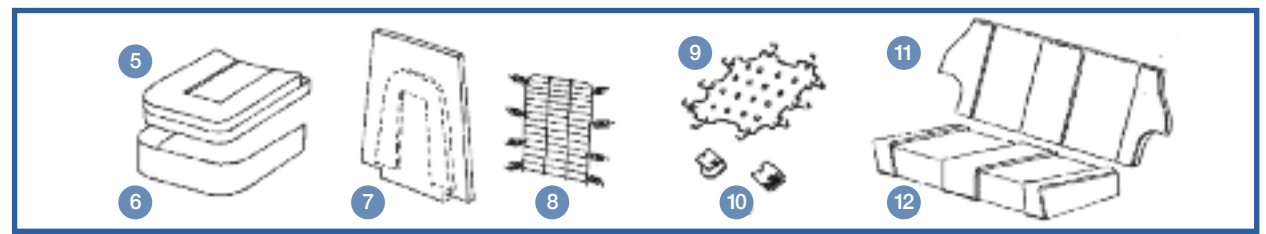
Mini Cooper 1962-67

NCMSC3010	Front & Rear Seat Cover - Standard Seats
1 NCMSC3012	Front Seat Squab Cover
2 NCMSC3011	Front Seat Base Cover
3 NCMSC3017	Factory Recliner Seat Cover Kit - One Seat (Inc Foams)
3 NCMS3050	LH Replica Complete Reclining Seat
3 NCMS3051	RH Replica Complete Reclining Seat
4 NCMSC3014	Rear Seat Cover Kit
5 NCMSF659	Front Seat Base Foam Cushion
6 NCMSF660	Front Seat Base Frame Foam Wrap
7 NCMSF666	Squab Padding Kit
8 NCMC708	Front Seat Squab Diaphragm
9 NCMC705	Front Seat Base Diaphragm
NCMC725	MK1 & MK2 Squab Cover Metal Tab Insert Kit
10 NCMDT3022	Packet Of 20 Seat Frame Clips
NCMST3001	Factory Reclining Seat Squab Diaphragm Rubber Strap Kit
11 NCMSF669	Rear Squab Foam
12 NCMSF668	Rear Base Foam
13 NCMTK3000	Interior Panel Kit Oval Speedo Binnacle
14 NCMDT3021	Pair Of Speedo Panels
15 NCMDT3022	Padded Dash Tray Liner

16 NCMDP3022	Pair Of Fillet Panels (Per Door)
17 NCMDP3021	Pair Of Door Panels
18 NCMWA3022	Pair Of Rear Quarter Panels
19 NCMDP3023LH	Door Pocket Liner - Left hand
19 NCMDP3023RH	Door Pocket Liner - Right hand
20 NCMWA3023	Pair Of Rear Pocket Liners
21 NCMWA3021	Rear Parcel Shelf Panel
22 NCMWAC3024	Pair Of Rear Wheel Arch Covers
WAC3026	Wheel Arch Cover Foam Padding
23 NCMDT3028	Dash Surround Material
24 NCMDC3005	Door Check Strap Each

Colours Available

Body	Seats	Panels	Carpets
Tartan Red Or Old English White	Tartan Red And Gold Brocade	Gold Brocade	Red
Smoke Grey Or Tweed Grey	Dark Grey And Dove Grey	Dove Grey	Grey
Almond Green	Porcelain Green And Dove Grey	Dove Grey	Grey
Surf Blue Or Fiesta Yellow	Powder Blue And Gold Brocade	Gold Brocade	Powder Blue
Surf Blue Or Fiesta Yellow	Powder Blue And Silver Brocade	Silver Brocade	Powder Blue
Island Blue	Cumulus Grey And Gold Brocade	Gold Brocade	Grey



Mini Mk2 1967-70

NCMSC3041	Front & Rear Seat Kit
1 NCMSC3042	Front Seat Squab Cover
2 NCMSC3043	Front Seat Base Cover
3 NCMSC3018	Factory Recliner Seat Cover Kit One Seat
3 NCMS3048	Replica Complete Reclining Seat LH
3 NCMS3049	Replica Complete Reclining Seat RH
4 NCMSC3044	Rear Seat Cover Kit
5 NCMSF3010	Front Seat Base Foam Cushion
6 NCMSF660	Base Frame Foam Wrap
7 NCMSF3012	Front Seat Squab Foam
8 NCMC715	Front Seat Squab Diaphragm
9 NCMC705	Front Seat Base Diaphragm
10 NCMDT3022	Packet Of 20 Seat Frame Clips
NCMST3001	Factory Reclining Seat Squab Diaphragm Rubber Strap Kit
11 NCMSF678	Rear Seat Squab Foam
12 NCMSF677	Rear Seat Base Foam
13 NCMTK3008	Interior Panel Kit - Round Speedo Binnacle
13 NCMTK3001	Interior Panel Kit - Oval Speedo Binnacle
14 NCMDT3024	Pair Of Speedo Panels - Round Speedo Binnacle
14 NCMDT3034	Pair Of Speedo Panels - Oval Binnacle Type
NCMDT3030	Speedo Panels - Oval - Vent Holes
15 NCMDT3022	Padded Dash Tray Liner
16 NCMDP3022	Pair Of Fillet Panels - Per Door
17 NCMDP3021	Pair Of Door Panels
18 NCMWA3022	Pair Of Rear Quarter Panels
19 NCMDP3023LH	Door Pocket Liner - Left hand
19 NCMDP3023RH	Door Pocket Liner - Right hand

20 NCMWA3023	Pair Of Rear Pocket Liners
21 NCMWA3021	Rear Parcel Shelf Panel
22 NCMWAC3024	Pair Of Rear Wheel Arch Covers
WAC3026	Wheel Arch Cover Foam Padding
23 NCMDT3028	Dash Surround Material
24 NCMDC3005	Door Check Strap

Colours Available

Cooper	Black Only	Tartan Red	Cumulus Grey
Saloon	Black		



Interior Trim



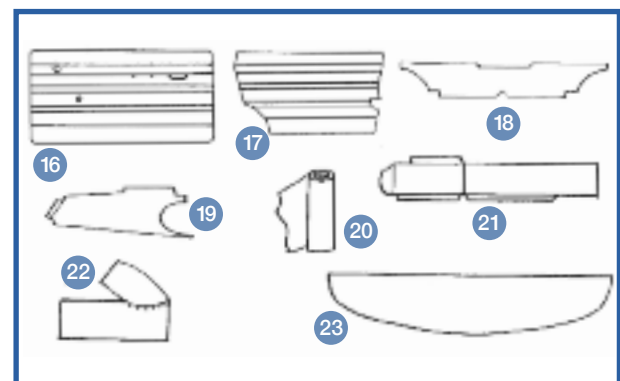
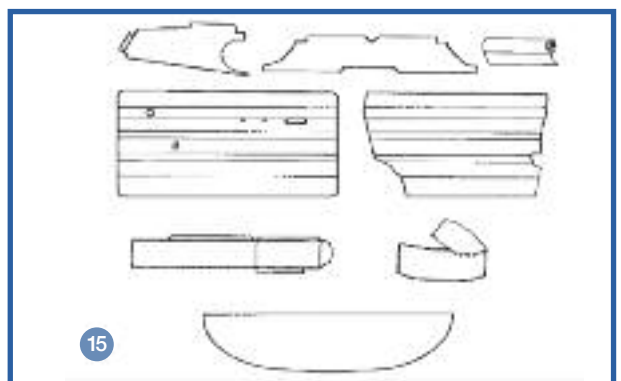
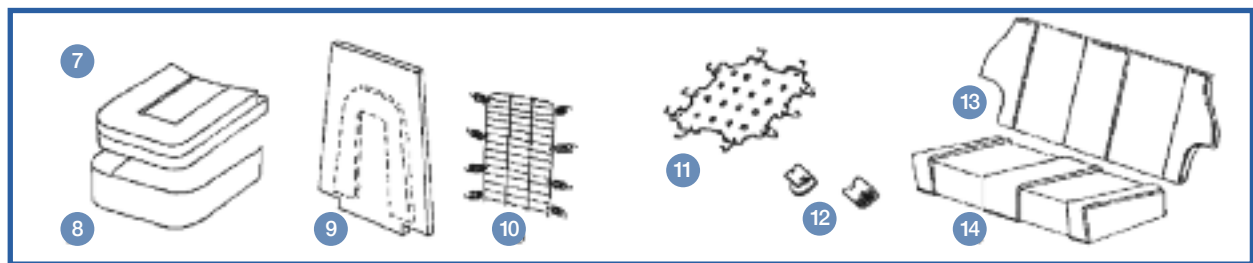
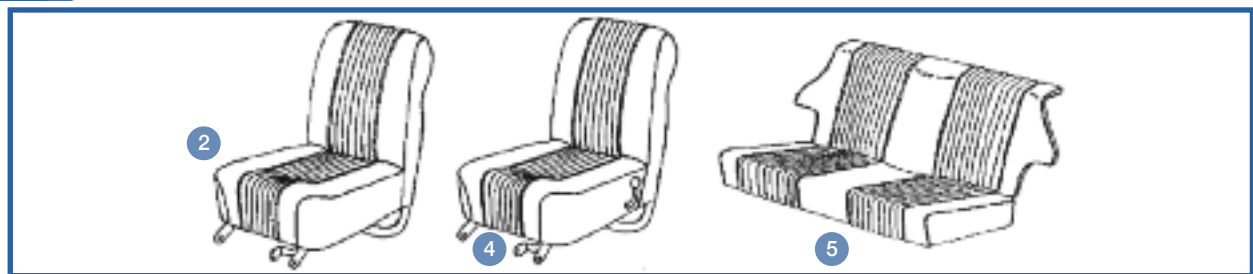


Scan Me



Scan Me

Interior Trim

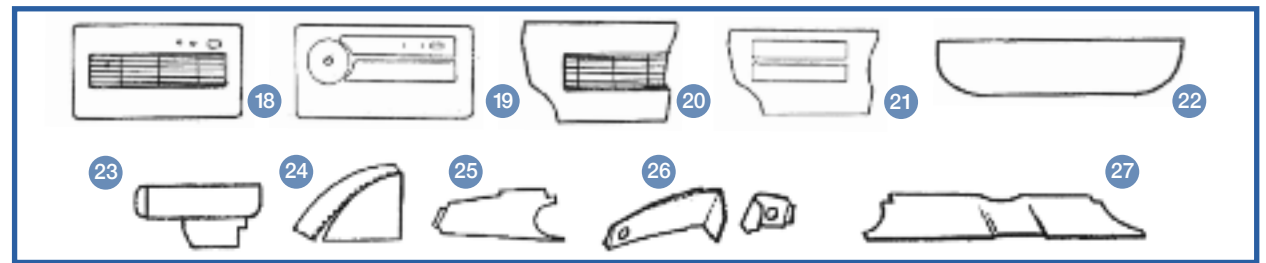
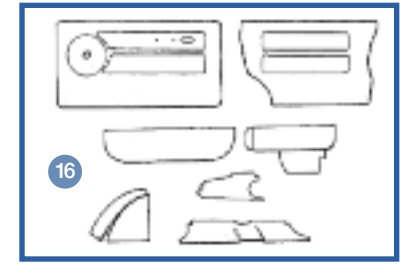
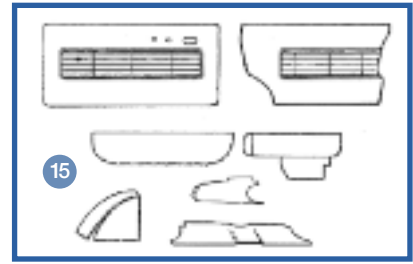
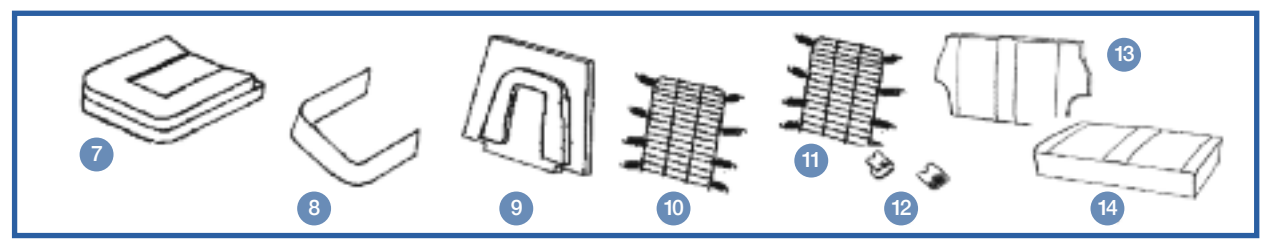
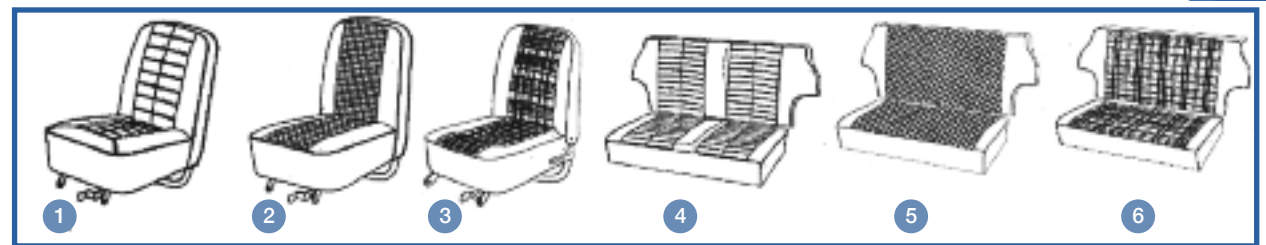


Mini Mk3 1970-73 Saloons and Coopers

NCMSC3046	Front & Rear Seat Covers
1 NCMSC3048	Front Seat Squab Cover
2 NCMSC3047	Front Seat Base Cover
NCMSC3030	Front Seat Covering Kit (X1 Seat Base & Squab) - Mini 850
3 NCMSC3234	Front Seat Squab Cover Recliner
4 NCMSC3220	Front Seat Base Cover Recliner
6 NCMSC3031	Rear Seat Cover Kit - Mini 850
6 NCMSC3049	Rear Seat Cover Kit - Mini 1000 & Cooper S
7 NCMSF3010	Front Seat Base Foam Cushion
8 NCMSF660	Base Frame Foam Wrap
9 NCMSF3012	Front Seat Squab Foam
10 NCMC708	Front Seat Squab Diaphragm
11 NCMC705	Front Seat Base Diaphragm
12 NCMC707	Packet of 20 Seat Frame Clips
13 NCMSF678	Rear Seat Squab Foam
14 NCMSF669	Rear Seat Base Foam - Mini 850
14 NCMSF677	Rear Seat Base Foam - Mini 1000 & Cooper S
15 NCMTK3009	Interior Panel Kit - Round Speedo Binnacle
15 NCMTK3007	Interior Panel Kit - Oval Speedo Binnacle
16 NCMDP3024	Pair of Door Panels
17 NCMWA3026	Pair of Rear Quarter Panels
18 NCMDT3027	Dash Tray Liner All Models
19 NCMDT3029	Pair of Speedo Panels - Round Speedo Binnacle
19 NCMDT3026	Pair of Speedo Panels - Oval Binnacle Type
20 NCMDT3028	Dash Surround Material
21 NCMWA3030	Pair of Rear Pocket Liners
22 NCMWAC3025	Pair of Rear Wheel Arch Covers
WAC3026	Wheel Arch Cover Foam Padding
23 NCMWA3027	Rear Parcel Shelf



Colours Available  
Black Navy



Mini Saloons 1973-80

1 NCMSC3244	Vinyl Front Seat Cover Kit Both Seats		
2 NCMSC3250	Houndstooth Style Front Seat Cover Kit Both Seats		
3 NCMSC3317	Plaid Style Front Seat Cover Kit Both Seats		
4 NCMSC3245	Vinyl Rear Seat Covering Kit		
5 NCMSC3251	Houndstooth Style Rear Seat Cover Kit		
6 NCMSC3318	Plaid Style Rear Seat Cover Kit		
7 NCMSF3010	Front Seat Base Foam Cushion		
8 NCMSF660	Base Frame Foam Wrap		
9 NCMSF3012	Front Seat Squab Foam		
10 NCMC708	Front Seat Squab Diaphragm		
11 NCMC711	Front Seat Base Diaphragm		
12 NCMC707	Packet of 20 Seat Frame Clips		
13 NCMSF668	Rear Seat Squab Foam		
14 NCMSF669	Rear Seat Base Foam		
15 NCMTK3286	Interior Trim Panel Kit Oval Speedo	1973-76	
16 NCMTK3288	Interior Trim Panel Kit Oval Speedo	1976-80	
17 NCMTK3131	Interior Trim Panel Kit Offset Speedo RHD	1976-80	
17 NCMTK3132	Interior Trim Panel Kit Offset Speedo - LHD	1976-80	
18 NCMDP3047	Pair of Door Panels	1973-76	
19 NCMDP3048	Pair of Door Panels	1976 on	
N CMDP3050	Pair of Door Panels with Vinyl Pocket	1976 on	
20 NCMWA3047	Pair of Rear Quarter Panels	1973-76	
21 NCMWA3048	Pair of Rear Quarter Panels	1976 on	
22 NCMWA3027	Rear Parcel Shelf		
23 NCMWA3050	Pair of Late Rear Pocket Liners		
24 NCMWAC3025	Pair of Rear Wheel Arch Covers		
WAC3026	Wheel Arch Cover Foam Padding		
25 NCMDT3029	Pair of Speedo Panels Round Binnacle		
25 NCMDT3026	Pair of Speedo Panels Oval Binnacle		
NCMDT3028	Dash Surround Material		
26 NCMDT3047	Pair of Offset Dash Panels RHD		
26 NCMDT3048	Pair of Offset Dash Panels LHD		
27 NCMDT3027	Dash Tray Liner All Models		

<b>Colours Available</b>			
Vinyl Seat Covers	Black	Navy	Beige
Houndstooth Seat Covers	Black	Beige	
Plaid Seat Covers	Golden Tan	Blue	

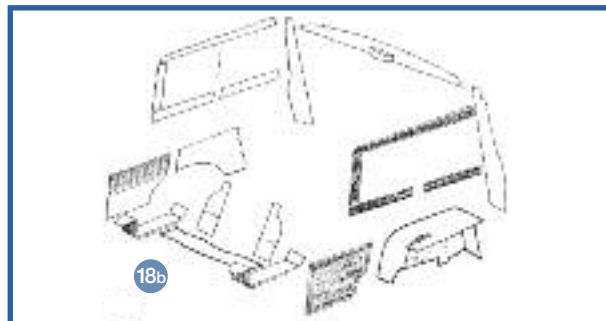
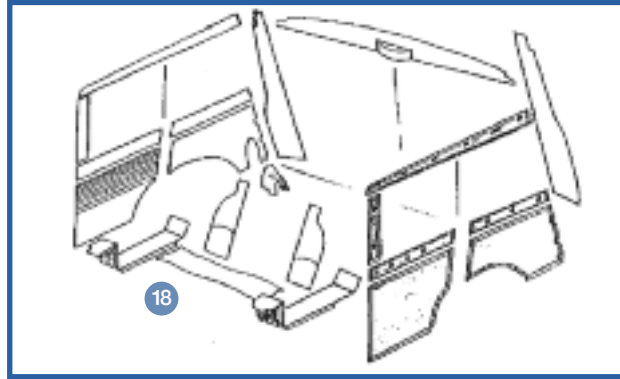
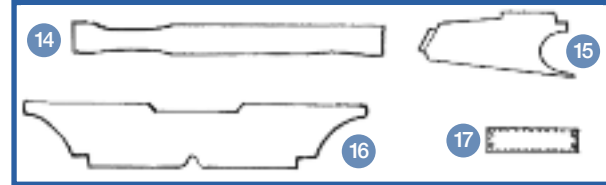
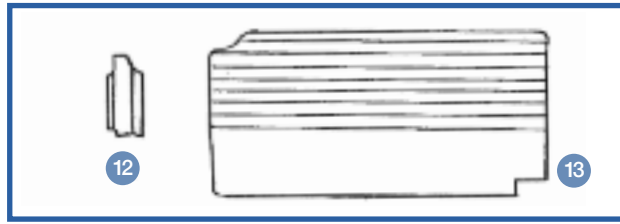
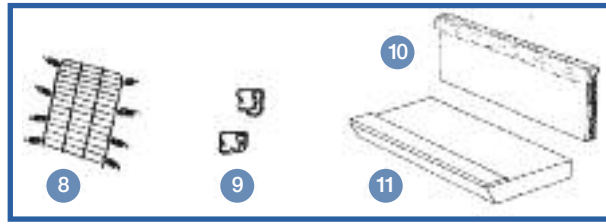
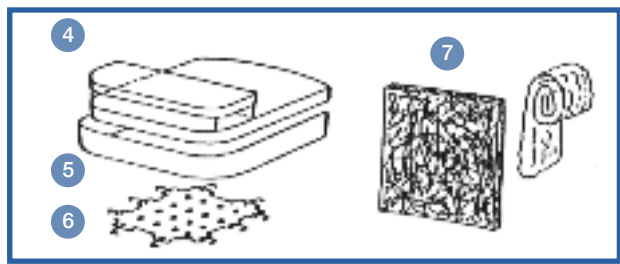
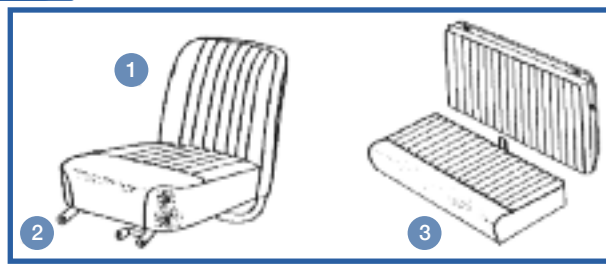


Interior Trim





Interior Trim

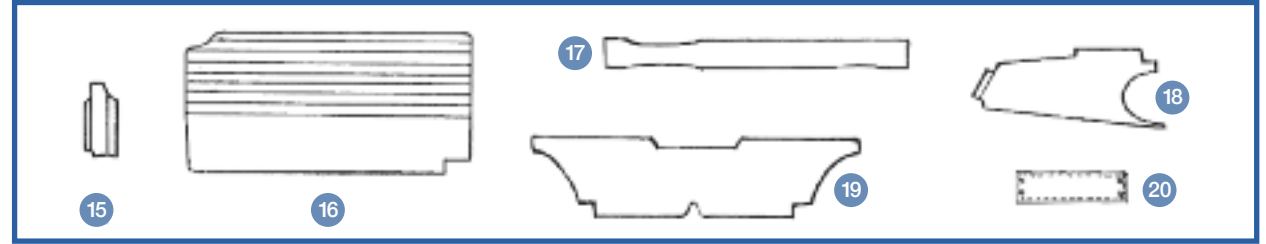
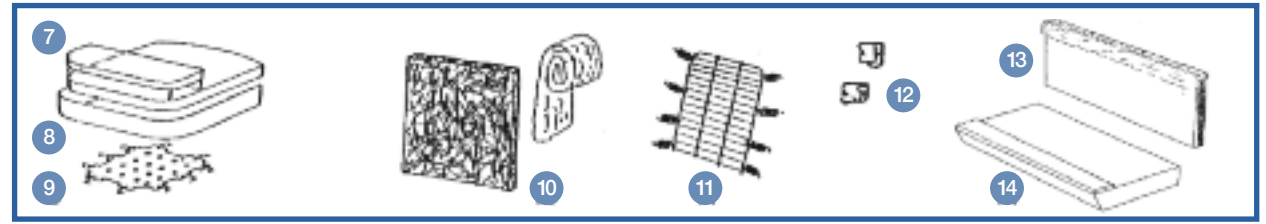
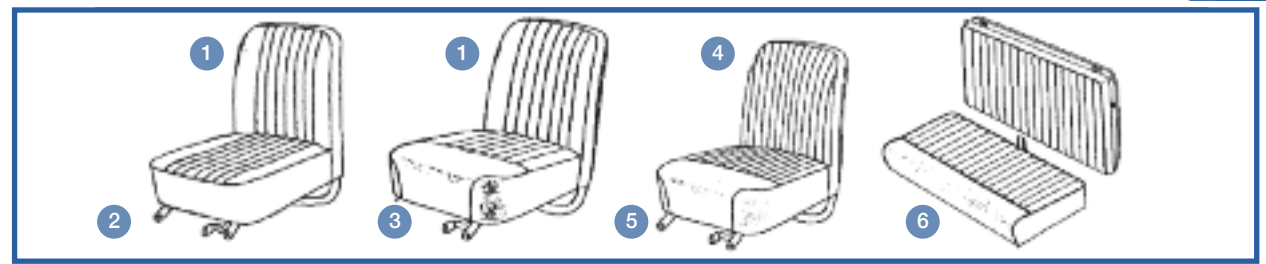


Mini Traveller Mk1 1960-62

- 1 NCMSC3118 Front seat Cover Kit Pair Welded Type For Post Leg Seat Frames
- 1 NCMSC3104 Front Seat Cover Kit Pair Stitched Type
- 1 NCMSC3106 Front seat Cover Kit Pair Welded Type
- 3 NCMSC3111 Rear Seat Cover Kit Stitched Type
- 3 NCMSC3113 Rear Seat Cover Kit Welded Type
- 4 NCMSF659 Base Foam Cushion
- 5 NCMSF660 Base Frame Foam Wrap
- 6 NCMC705 Front Seat Base Diaphragm
- NCMHES001 Front Seat Base Foam Supporting Hessian
- 7 NCMSF666 Front Seat Squab Padding Kit
- NCMST3000 MK1 Front Seat Seat Strap Kit
- 8 NCMC708 Front Seat Squab Diaphragm
- 9 NCMC707 Packet of 20 Seat Frame Clips
- NCMC725 MK1 & MK2 Squab Cover Metal Tab Insert Kit
- 10 NCMSF674 Rear Seat Squab Foam
- 11 NCMSF679 Rear Seat Base Foam
- 12 NCMDP3022 Pair of Fillet Panels - Per Door
- 13 NCMDP3101 Pair of Door Panels Plain Type Not Shown
- 13 NCMDP3021 Pair of Door Panels Welded Type
- 14 NCMDP3023LH Door Pocket Liner Left Hand
- 14 NCMDP3023RH Door Pocket Liner Right Hand
- 15 NCMDT3024 Pair of Speedo Panels Round Binnacle
- 15 NCMDT3101 Pair of Speedo Panels Round Binnacle Grey Fleck
- 16 NCMDT3022 Padded Dash Tray Liner
- 17 NCMDC3005 Door Check Strap Each
- 18 NCMTK3101 Rear Trim Panel Kit
- 18b NCMTK3102 Rear Trim Panel Kit With Internal Petrol Tank



- Colours Available**
- |                        |                            |
|------------------------|----------------------------|
| Black/Grey Fleck       | Porcelain Green/Grey Fleck |
| Tartan Red/Grey Fleck  | Powder Blue/Grey Fleck     |
| Spanish Red/Grey Fleck | Spanish Blue/Grey Fleck    |



Mini Traveller Mk1 1962-1967

- 1 NCMSC3007 Squab Cover - Stitched Type
- 2 NCMSC3004 Base Cover - Stitched Type
- 1 NCMSC3007 Squab Cover - Stitched Type
- 3 NCMSC3006 Base Cover - Stitched Type
- 4 NCMSC3002 Squab Cover - Welded Type
- 5 NCMSC3001 Base Cover - Welded Type
- 6 NCMSC3057 Rear Seat Kit - Stitched Type
- 6 NCMSC3056 Rear Seat Kit - Welded Type
- 7 NCMSF659 Base Foam Cushion
- 8 NCMSF660 Base Frame Foam Wrap
- 9 NCMC705 Front Seat Base Diaphragm
- 10 NCMSF666 Squab Padding Kit
- 11 NCMC708 Front Seat Squab Diaphragm
- 12 NCMC707 Packet of 20 Seat Frame Clips
- NCMC725 MK1 & MK2 Squab Cover Metal Tab Insert Kit
- 13 NCMSF674 Rear Seat Squab Foam
- 14 NCMSF679 Rear Seat Base Foam
- 15 NCMDP3022 Pair of Fillet Panels - Per Door
- 16 NCMDP3021 Pair of Door Panels
- 14 NCMDP3023LH Door Pocket Liner Left Hand
- 14 NCMDP3023RH Door Pocket Liner Right Hand
- 18 NCMDT3024 Pair Of Speedo Panels - Round Speedo Binnacle
- 18 NCMDT3021 Pair Of Speedo Panels - Oval Binnacle Type
- 19 NCMDT3022 Padded Dash Tray Liner
- 20 NCMDC3005 Door Check Strap - Each
- 21 NCMTK3070 Interior Panel Kit - Round Speedo Type
- 21 NCMTK3075 Interior Panel Kit - Oval Speedo Type



- Colours Available**
- |              |            |                 |
|--------------|------------|-----------------|
| Cumulus Grey | Dove Grey  | Porcelain Green |
| Powder Blue  | Tartan Red |                 |

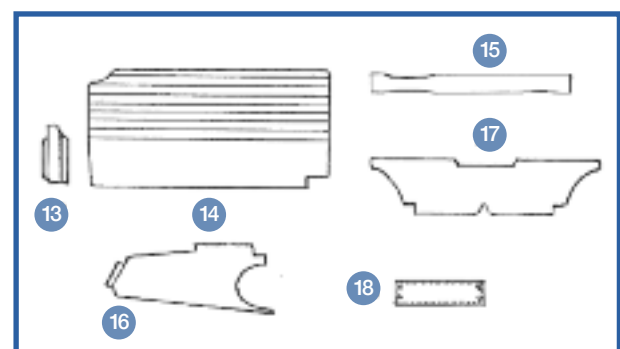
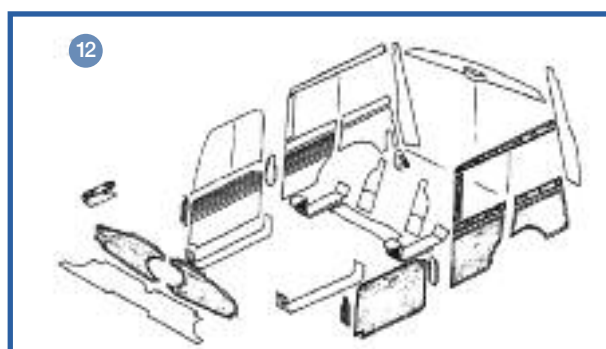
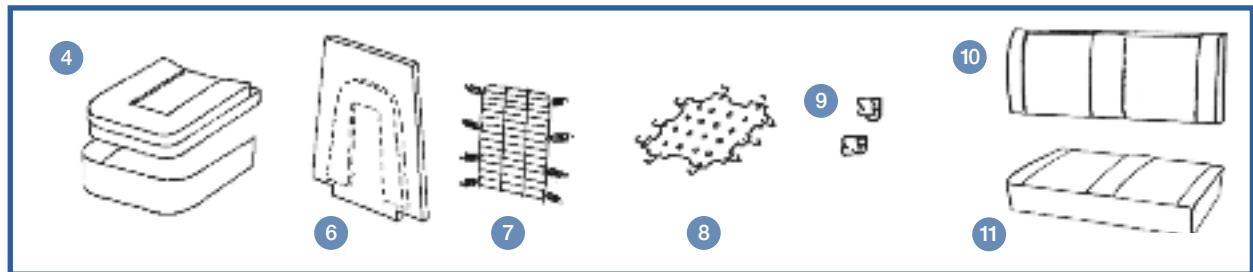
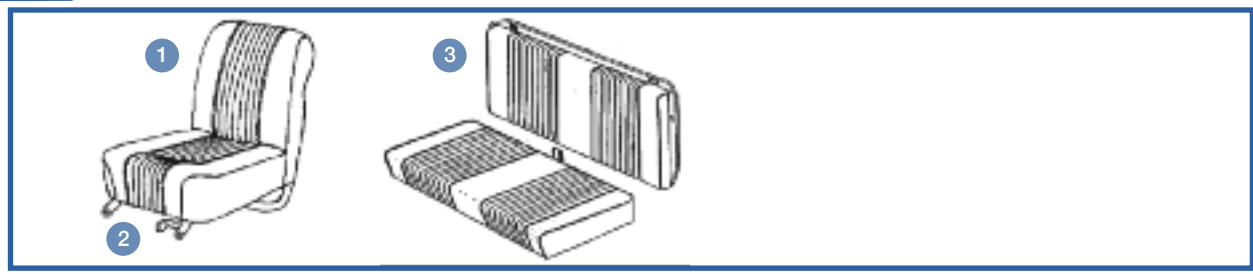


Interior Trim





Interior Trim

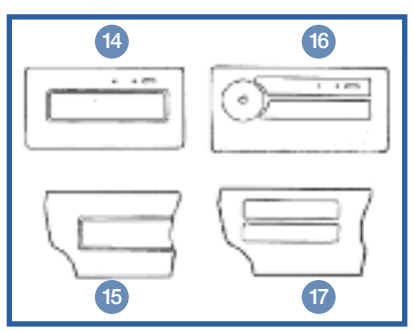
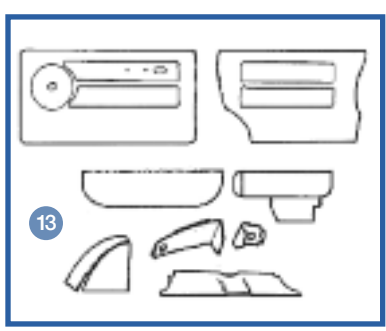
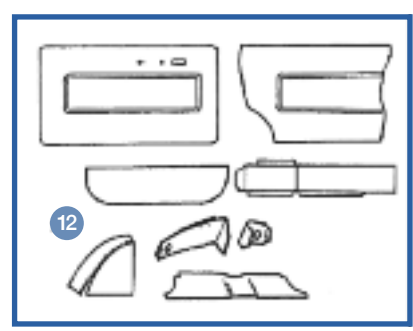
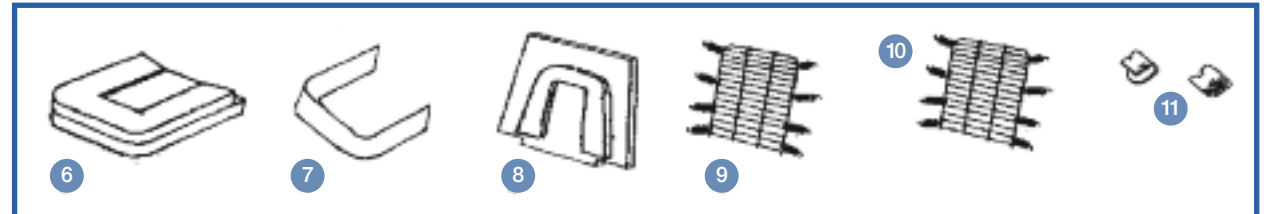
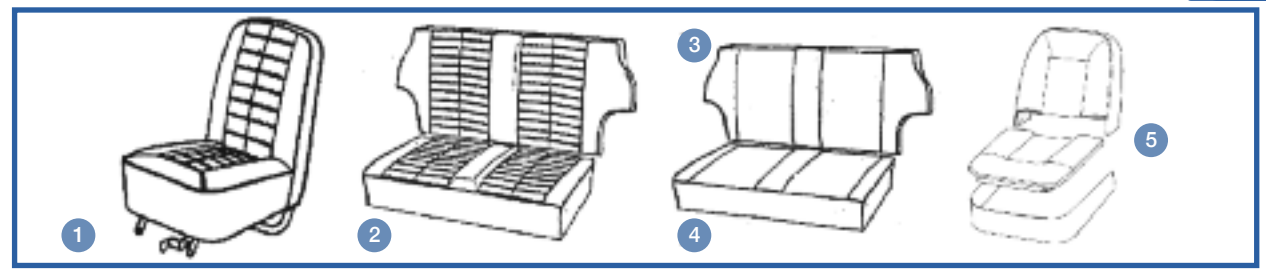


Mini Traveller Mk2 1967-70

1	NCMSC3042	Front Seat Squab Cover
2	NCMSC3043	Front Seat Base Cover
3	NCMSC3045	Rear Seat Cover Kit
4	NCMSF3010	Front Seat Base Foam Cushion
5	NCMSF660	Base Frame Foam Wrap
6	NCMSF3012	Front Seat Squab Foam
7	NCMC715	Front Seat Squab Diaphragm
8	NCMC705	Front Seat Base Diaphragm
9	NCMC707	Packet of 20 Seat Frame Clips
	NCMC725	MK1 & MK2 Squab Cover Metal Tab Insert Kit
10	NCMSF675	Rear Seat Squab Foam
11	NCMSF676	Rear Seat Base Foam
12	NCMTK3070	Interior Panel Kit - Round Speedo Type
12	NCMTK3075	Interior Panel Kit - Oval Speedo Type
13	NCMDP3022	Pair of Fillet Panels - Per Door
14	NCMDP3021	Pair of Door Panels
14	NCMDP3023LH	Door Pocket Liner Left Hand
14	NCMDP3023RH	Door Pocket Liner Right Hand
16	NCMDT3024	Pair of Speedo Panels - Round Speedo Binnacle
16	NCMDT3034	Pair of Speedo Panels - Oval Binnacle Type
17	NCMDT3022	Padded Dash Tray Liner
18	NCMDC3005	Door Check Strap - Each



**Colours Available**  
 Black Tartan Red  
 Cumulus Grey



Mini 1275GT 1969-80

1	NCMSC3240	Vinyl Front Seat Kit Both Seats 1969-75 - Perforated Centres
2	NCMSC3242	Rear Seat Covering Kit - Perforated Centres 1969-75
1	NCMSC3241	Vinyl Front Seat Kit Both Seats 1975-80
2	NCMSC3243	Rear Seat Covering Kit - Late Type 1975-80
3	NCMSF678	Rear Seat Squab Foam
4	NCMSF677	Rear Seat Base Foam
5	NCMSF3016	Front Seat Base & Squab Foam Kit - Per Seat 1969-75
6	NCMSF3010	Front Seat Base Foam Cushion 1975-80
7	NCMSF660	Base Frame Foam Wrap
8	NCMSF3012	Front Seat Squab Foam 1975-80
9	NCMC708	Front Seat Squab Diaphragm
10	NCMC711	Front Seat Base Wire Diaphragm
	NCMC705	Front Seat Base Rubber Diaphragm
11	NCMC707	Packet of 20 Seat Frame Clips
	NCMHES001	Front Seat Base Foam Supporting Hessian
12	NCMTK3125	Complete Trim Panel Kit RHD 1969-75
12	NCMTK3126	Complete Trim Panel Kit LHD 1969-75
13	NCMTK3127	Complete Trim Panel Kit RHD 1975-80
13	NCMTK3128	Complete Trim Panel Kit LHD 1975-80
14	NCMDP3038	Pair of Early Door Panels 1969-75
	NCMWA3037	Pair of Early Rear Quarter Panels 1969-73
15	NCMWA3038	Pair of Early Rear Quarter Panels 1973-75
16	NCMDP3048	Pair of Late Door Panels 1975-80
17	NCMWA3048	Pair of Late Rear Quarter Panels 1975-80
18	NCMWA3027	Rear Parcel Shelf
18	NCMWA3030	Pair of Late Rear Pocket Liners 1970-73
19	NCMWA3050	Pair of Late Rear Pocket Liners 1973-96
20	NCMWAC302	5 Pair of Rear Wheel Arch Covers
	WAC3026	Wheel Arch Cover Foam Padding
21	NCMDT3047	Pair of Offset Dash Panels RHD
21	NCMDT3048	Pair of Offset Dash Panels LHD
22	NCMDT3027	Dash Tray Liner All Models



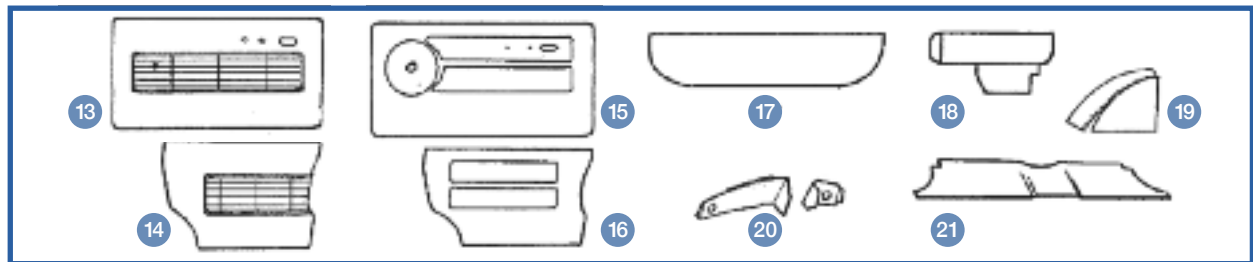
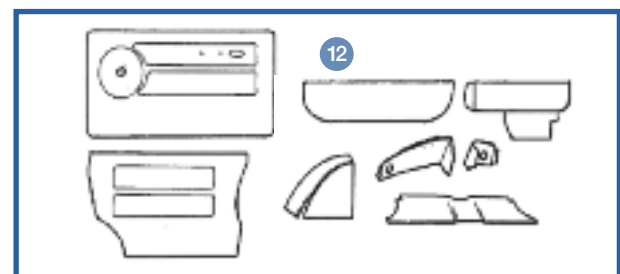
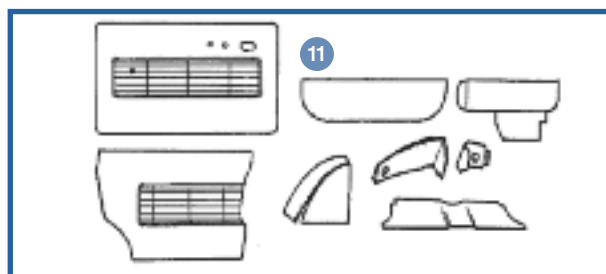
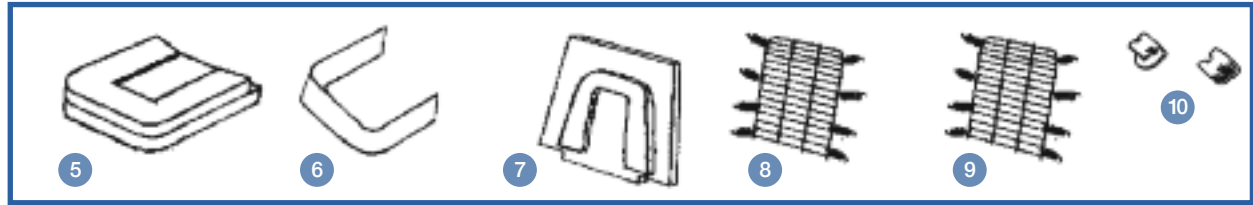
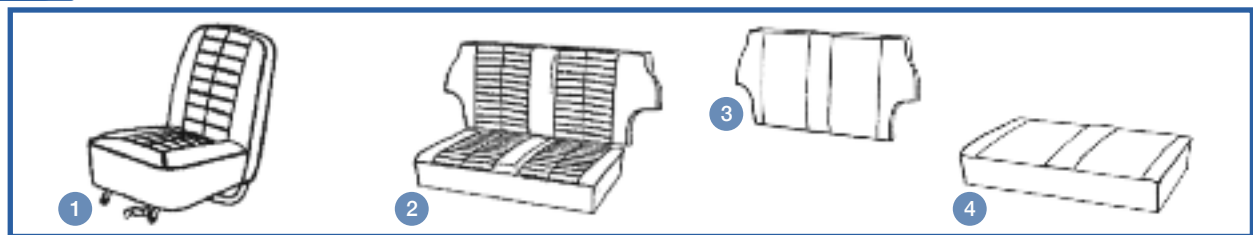
**Colours Available**  
 Early Cars Black Navy Beige  
 Later Cars Black Navy Beige

Interior Trim





Interior Trim



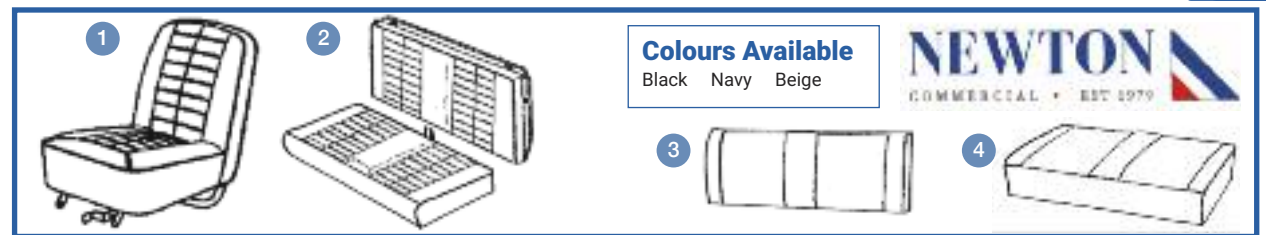
Mini Clubman Saloons 1969-80

1	NCMSC3248	Vinyl Front Seat Cover Kit - Both Seats	1969-73
1	NCMSC3244	Vinyl Front Seat Cover Kit - Both Seats	1973-76
2	NCMSC3245	Vinyl Rear Seat Covering Kit	
	NCMSC3317	Plaid Style Front Seat Cover Kit Both Seats	
	NCMSC3318	Plaid Style Rear Seat Cover Kit	
3	NCMSF678	Rear Seat Squab Foam	
4	NCMSF677	Rear Seat Base Foam	
	NCMSF3016	Front Seat Base & Squab Foam Kit - Per Seat	1969-75
5	NCMSF3010	Front Seat Base Foam Cushion	
6	NCMSF660	Front Seat Base Frame Foam Wrap	
7	NCMSF3012	Front Seat Squab Foam	
8	NCMC708	Front Seat Squab Diaphragm	
9	NCMC711	Front Seat Base Wire Diaphragm	
	NCMC705	Front Seat Base Rubber Diaphragm	
10	NCMC707	Packet of 20 Seat Frame Clips	
	NCMHES001	Front Seat Base Foam Supporting Hessian	
11	NCMTK3129	Complete Trim Panel Kit - RHD	1969-76
11	NCMTK3130	Complete Trim Panel Kit - LHD	1969-76
12	NCMTK3131	Complete Trim Panel Kit - RHD	1976-80
12	NCMTK3132	Complete Trim Panel Kit - LHD	1976-80
13	NCMDP3047	Pair of Door Panels	1969-76
	NCMWA3045	Pair of Quarter Panels	1969-73
14	NCMWA3047	Pair of Quarter Panels	1973-76
15	NCMDP3048	Pair of Door Panels	1976-80
16	NCMWA3048	Pair of Quarter Panels	1976-80

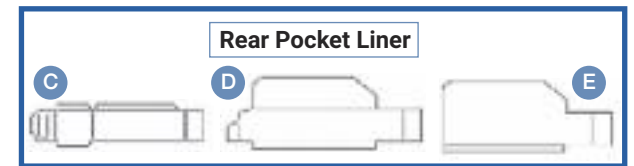
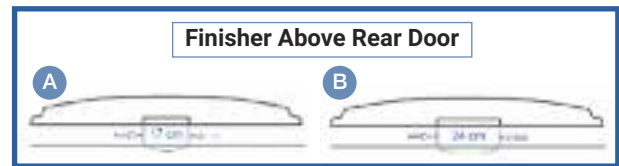
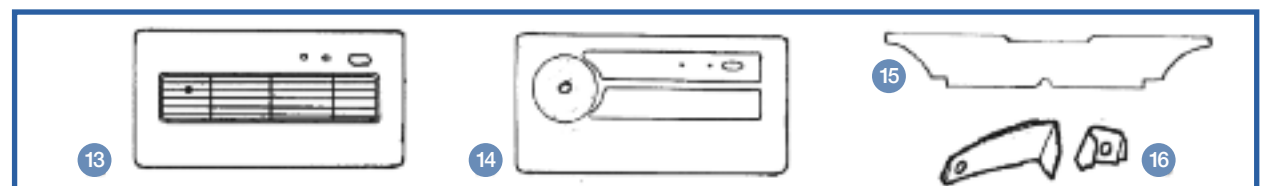
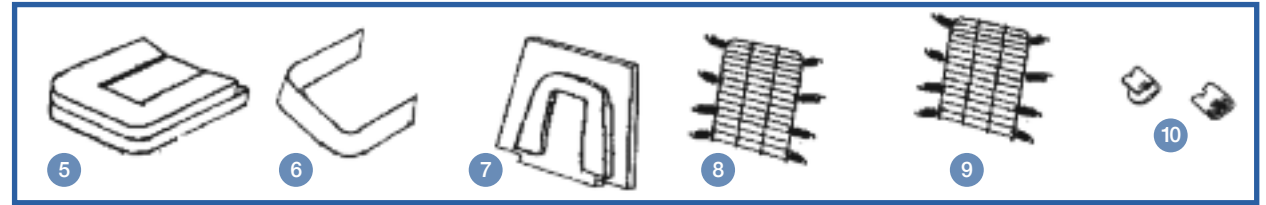
16	NCMWA3028	Pair of Rear Quarter Panels - 70-73 pattern with 73-76 fitment	
17	NCMWA3027	Rear Parcel Shelf	
	NCMWA3030	Pair of Rear Pocket Liners	1969-73
18	NCMWA3050	Pair of Late Rear Pocket Liners	1973-96
19	NCMWAC3025	Pair of Rear Wheel Arch Covers	
	WAC3026	Wheel Arch Cover Foam Padding	
20	NCMDT3047	Pair of Offset Dash Panels RHD	
20	NCMDT3048	Pair of Offset Dash Panels LHD	
21	NCMDT3027	Dash Tray Liner All Models	



Colours Available  
Black Navy Beige



Colours Available  
Black Navy Beige



Mini Clubman Estate 1970-80

1	NCMSC3248	Vinyl Front Seat Cover Kit - Both Seats	1969-73
1	NCMSC3244	Vinyl Front Seat Cover Kit - Both Seats	1973-76
2	NCMSC3246	Vinyl Rear Seat Cover Kit	
	NCMSC3317	Plaid Style Front Seat Cover Kit Both Seats	
	NCMSC3319	Plaid Style Estate Rear Seat Cover Kit	
3	NCMSF675	Rear Seat Squab Foam	
4	NCMSF676	Rear Seat Base Foam	
5	NCMSF3010	Front Seat Base Foam Cushion	
6	NCMSF660	Base Frame Foam Wrap	
7	NCMSF3012	Front Seat Squab Foam	
8	NCMC708	Front Seat Squab Diaphragm	
	NCMC705	Front Seat Base Rubber Diaphragm	
9	NCMC711	Front Seat Base Wire Diaphragm	
10	NCMC707	Packet of 20 Seat Frame Clips	
	NCMC725	MK1 & MK2 Squab cover metal tab insert kit	

**INTERIOR TRIM PANEL KITS** - Panel kits include original specification dash, door, rear quarter and rear load area side trim panels, as shown in diagrams. When ordering complete kits you will need to specify which of the two rear window finishers, and which type of rear pocket liner your car requires. It is thought that the pattern changeover between styles was effected sometime around 1973. Please choose A or B - C, D or E.

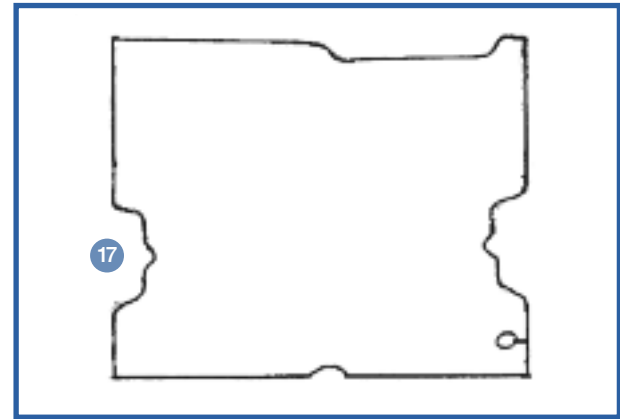
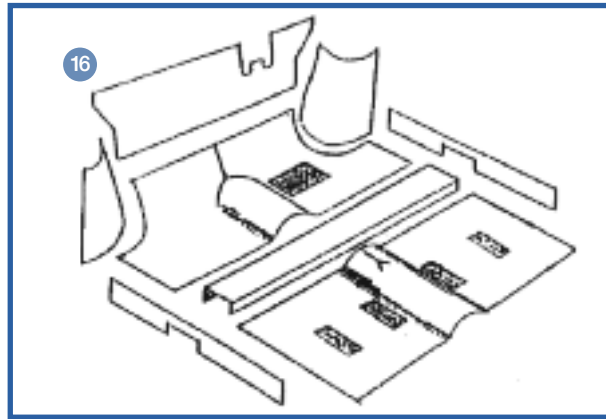
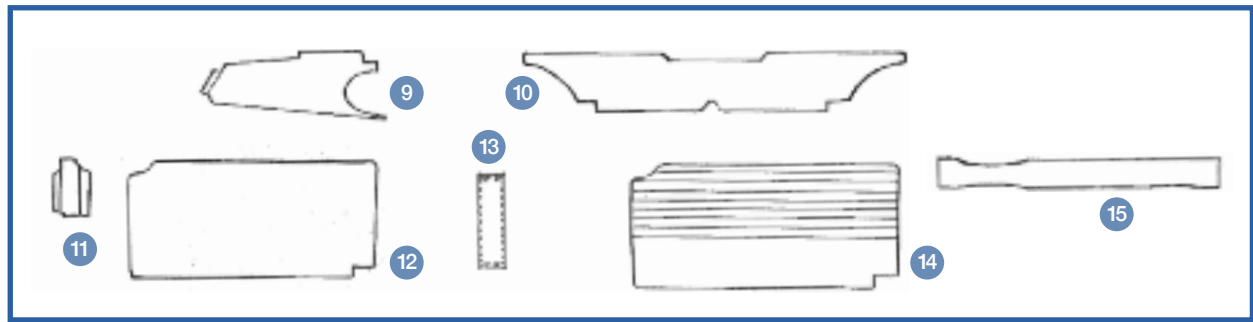
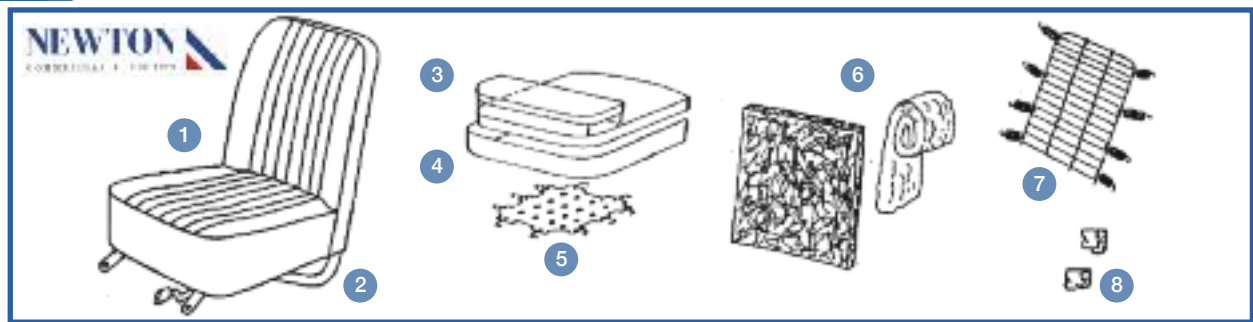
11	NCMTK3091	Interior Panel Kit - Offset Speedo - RHD	1970-75
11	NCMTK3092	Interior Panel Kit - Offset Speedo - LHD	1970-75
12	NCMTK3087	Interior Panel Kit - Offset Speedo - RHD	1975-80
12	NCMTK3088	Interior Panel Kit - Offset Speedo - LHD	1975-80
13	NCMDP3047	Pair of Door Panels	1970-75
14	NCMDP3048	Pair of Door Panels	1975-80
15	NCMDT3027	Dash Tray Liner All Models	
16	NCMDT3047	Pair of Offset Dash Panels RHD	
16	NCMDT3048	Pair of Offset Dash Panels LHD	

Interior Trim





Interior Trim



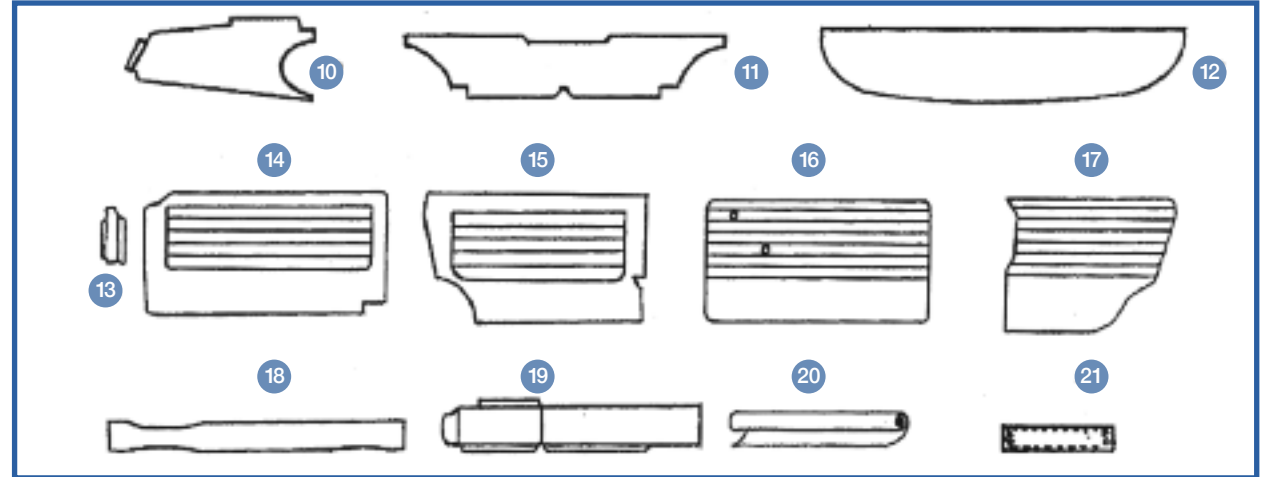
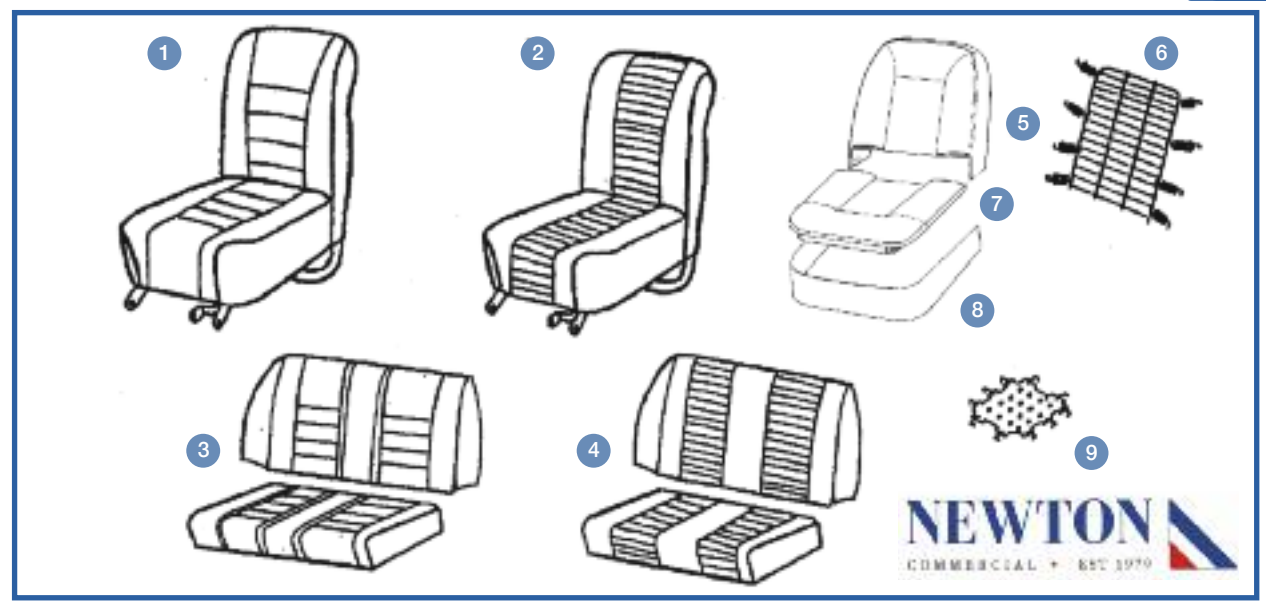
Mini Van and Pick-Up

1	NCMSC3007	Seat Squab Cover - Stitched Type
1	NCMSC3013	Seat Squab Cover - Welded Type
2	NCMSC3004	Seat Base Cover - Stitched Type
2	NCMSC3016	Seat Base Cover Welded Type
3	NCMSF659	Base Foam Cushion
4	NCMSF660	Base Frame Foam Wrap
5	NCMC705	Front Seat Base Diaphragm
6	NCMSF666	Squab Padding Kit
7	NCMC715	Front Seat Squab Diaphragm
8	NCMC707	Packet of 20 Seat Frame Clips
	NCMC725	Mk.I & Mk.II Squab Cover Metal Tab Insert Kit
9	NCMDT3040	Pair of Speedo Panels - Standard - Black Painted
9	NCMDT3024	Pair of Speedo Panels - Round Speedo - Vinyl Covered
9	NCMDT3021	Pair of Speedo Panels - Oval Speedo - Vinyl Covered
10	NCMDT3022	Padded Dash Tray Liner
11	NCMDP3041	Pair of Door Fillets - Per Door - Black Painted
11	NCMDP3022	Pair of Door Fillets - Per Door - Vinyl Covered
12	NCMDP3046	Pair of Door Panels - Black Painted
13	NCMDC3005	Door Check Strap - Each

14	NCMDP3021	Pair of Vinyl Covered Door Panels	
15	NCMDP3023LH	Door Pocket Liner Left Hand	
15	NCMDP3023RH	Door Pocket Liner Right Hand	
16	NCMCK974	Deluxe Moulded Carpet Set	Up To 1973
16	NCMCK973	Deluxe Moulded Carpet Set	After 1973
		- Rod Change Gear Lever	
17	NCMCK985	Van Rear Compartment Load Area Carpet - RHD	
	NCMCK986	Van Rear Compartment Load Area Carpet - LHD	



**Colours Available**  
Black As Standard But Other Colours Available Upon Request



Riley Elf and Wolseley Hornet

1	NCMSC3215	Mk.I & II Leather Front Seat Kit - Both Seats
2	NCMSC3218	Mk.III Leather Front Seat Kit - Both Seats
3	NCMSC3216	Mk.I & II Leather Rear Seat Kit
4	NCMSC3219	Mk.III Leather Rear Seat Kit
5	NCMSF666	Squab Padding Kit - Mk.I & II
5	NCMSF681	Squab Foam - Mk.III Not Shown
6	NCMC715	Front Seat Squab Diaphragm
7	NCMSF655	Front Seat Base Foam Cushion - Mk.I & II
7	NCMSF680	Front Seat Base Foam Cushion - Mk.III
8	NCMSF660	Base Frame Foam Wrap
	NCMSF3016	Mk.III Elf/Hornet Front Seat Replacement Foam Kit - 1 Seat
9	NCMC705	Front Seat Base Diaphragm
	NCMC707	Packet of 20 Seat Frame Clips
10	NCMDT3021	Speedo Panels - Oval Binnacle Type
	NCMDT3038	Speedo Panels - Oval Binnacle With Air Vents
11	NCMDT3022	Padded Dash Tray Liner
12	NCMWA3215	Rear Parcel Shelf Panel
13	NCMDP3022	Pair of Fillet Panels - Per Door

13	NCMDP3022	Pair of Fillet Panels - Per Door
14	NCMDP3219	Mk.I & II Pair of Door Panels
15	NCMWA3216	Mk.I & II Pair of Rear Quarter Panels
16	NCMDP3221	Mk.III Pair of Door Panels
17	NCMWA3217	Mk.III Rear Quarter Panels
18	NCMDP3023LH	Door Pocket Liner Left Hand Mk.I & II
18	NCMDP3023RH	Door Pocket Liner Right Hand Mk.I & II
19	NCMWA3023	Pair Of Rear Pocket Liners Mk.I & II
19	NCMWA3218	Mk.III Pair Of Rear Pocket Panels
20	NCMDT3028	Dash Surround Material
21	NCMDC3005	Door Check Strap - Each
22	NCMCK960	Deluxe Carpet Set
23	NCMCK963	Boot Board Carpet Covering Kit
24	NCMCK976	Quilted Bonnet Insulation Kit
	NCMHL3000	Headlining Kit For 2 Piece Frame
25	NCMHL3005	Headlining Kit & "C" Post Panels - 6 Stay type
26	NCMHL3030	Six Piece Headlining Stay Kit
27	NCMSV2021	Two Pairs of Sunvisor Brackets & Screws
28	NCMSV2004	Early Type Central Sunvisor Bracket
29	NCMSV2000	Early Type Centrally Mounted Sunvisor Pad
30	NCMSV2016	Padded Sunvisor - Plain
31	NCMSV2017	Sunvisor Pad With Vanity Mirror

**Colours Available**  
Black                      Dove Grey                      Porcelain Green  
Powder Blue                      Tartan Red

Interior Trim





Scan Me



Scan Me

Innocenti Seating and Trim



Innocenti Mk1 and MK2

MK.1 Sept 1965 to Sept 1968 - MK.2 Sept 1968 to January 1970  
- Standard 850cc & Cooper 1000cc

NCMTK6001	Trim Kit	
NCMDP3022	Door Fillets (One Door)	Pair
NCMDP3021	Door Panels	Pair
NCMWA3022	Rear Quarter Panels	Pair
NCMDP3023	Door Pocket Liners	Pair
NCMWA3023LH	Left Hand Rear Pocket Liner	
NCMWA3023RH	Right Hand Rear Pocket Liner	
NCMWA3021	Rear Parcel Shelf	
NCMWAC3024	Wheel Arch Covers	Pair
NCMDC3005	Door Check Strap	Each
NCMDT3021	Speedo Panels - Oval	Pair
NCMDT3022	Dash Tray Liner	
NCMDT3028A	Lower Dash Surround Material	
NCMSC6015	Front Seat Covers for Mk1 Innocenti 850 Saloon	Pair
NCMSC6017	Rear Seat Covering kit Mk1 Innocenti 850 Saloon	
NCMSC6001	Mk1 & Mk2 Innocenti Cooper Front Seat cover kit	Pair
NCMSC6002	Mk1 & Mk2 Innocenti Cooper Rear Seat cover kit	
NCMSF655	Front Seat Base Cushion Pad	
NCMSF660	Front Seat Base Skirt Foam Wrap	
NCMSF666	Front Seat Squab Padding	
NCMC708	Front Seat Squab Diaphragm	
NCMC711	Front Seat Base Diaphragm	
NCMC705	Front Seat Base Rubber Diaphragm	
NCMC725	Front Seat Cover Metal Tab Tquab Pocket Inserts for Squab Fitting	
NCMC707	Packet of 20 Seat Frame Clips	
NCMSF669	Rear Seat Replacement Squab Foam	
NCMSF668	Rear Seat Replacement Base Foam	

Innocenti Mk3

Mk3 850cc - Cooper 1000cc - Mini Matic 1000cc January 1970 to October 1970

NCMTK6002	Trim Kit	
NCMDP6002	Door Panels - Wind Up Windows, No Quarter Light	Pair
NCMWA6002	Rear Quarter Panels	Pair
NCMWA6003	Rear Pocket Liners	Pair
NCMWA3052	Rear Parcel Shelf	
NCMWAC3052	Pair Of Wheel Arch Covers	

Mk3 Mini 850cc, Cooper 1000cc, Mini Matic 1000cc October 1970 to January 1972 - Mini 1000 January 1972 to March 1973 - Cooper 1300 & Mini 1001 Feb 1972 to Mar 1973 - Mini Matic n.v Feb 1972 to July 1973 - Cooper 1300 Export Feb 1973 to 1974

NCMTK6004	Trim Kit	
NCMDP6003	Door Panels - Wind Up Windows, With Quarter Light	Pair
NCMWA6002	Rear Quarter Panels	Pair
NCMWA6003	Rear Pocket Liners	Pair
NCMWA3052	Rear Parcel Shelf	
NCMWAC3038	Wheel Arch Covers	Pair

Cooper 1300 Export - 1974 to January 1975

NCMTK6006	Trim Kit	
NCMDP6003	Door Panels	Pair
NCMWA6006	Rear Quarter Panels	Pair
NCMWA6007	Rear Pocket Liners	Pair
NCMWA3052	Rear Parcel Shelf	
NCMWAC3052	Wheel Arch Covers	Pair
NCMSC6004	Mk3 Innocenti Cooper Fixed Front Seat Cover Kit	Pair
NCMSC6003	Mk3 Innocenti Cooper Reclining Front Seat cover Kit	Pair
NCMSC6005	Mk3 Innocenti Cooper Rear Seat Covering Kit	
NCMSC6009	Mini Cooper 1300 & Export Fixed Front Seat Cover Kit	Pair
NCMSC6007	Mini Cooper 1300 & Export Reclining Front Seat Cover Kit	Pair
NCMSC6008	Mini Cooper 1300 & Export Rear Seat Covering Kit	
NCMSF686	Front Seat Foam Replacement Kit	Pair
NCMC708	Front Seat Squab Diaphragm	
NCMC711	Front Seat Base Diaphragm	
NCMSF687	Rear Seat Foam Replacement Kit	
NCMSC6010	Innocenti Mini 1001 Front Seat Cover Kit	Pair
NCMSC6011	Innocenti Mini 1001 Rear Seat Covering Kit	

Innocenti Headlining and Sunvisors

NCMHL6000	Innocenti Saloon Headlining Kit	
NCMHL6002	Innocenti Saloon Headlining Kit - For Cars with Webasto Sunroof	
1	NCMSV732P	Sunvisor - Driver's Side (Correct Plain Grey)
2	NCMSV733P	Sunvisor - Passenger's Side for RHD (Correct Plain Grey)
	NCMSV735P	Sunvisor - Passenger's side for LHD (Correct Plain Grey)
	NCMSV734	Sunvisor Plastic Retaining Bracket
	NCMCK6000	Carpet Set 1300 RHD
	NCMCK6002	Carpet Set 1300 LHD
	NCMCK6003	Carpet Set - Mini 1000 LHD

Mini Cooper 1990-95

NCMSC3300AM	'90-'91 Lightening Cloth Front Seat Cover Kit	Pair
NCMSC3302AM	'91-'92 Lightening Cloth Front Seat Cover Kit	Pair
NCMSC3077AM	'93-'95 Lightening Cloth Front Seat Cover Kit	Pair
NCMHR3060AML	'90-'92 Complete Headrest Unit	Each
NCMHR3061AM	'93-'95 Complete Headrest Unit	Each
NCMSF3018	'90-'92 Front Seat Base Foam Cushion	Each
NCMHGB100580	'93-'99 Front Seat Base Foam Cushion	Each
NCMSF3020	'90-'92 Front Seat Squab Cushion	Each
NCMHGA10036	'93-'95 Front Seat Squab Cushion	Each
NCMC711	'90-'92 Front Seat Base Diaphragm	Each
NCMC719	'93-'95 Front Seat Base Diaphragm	Each
NCMC708	'90-'92 Front Seat Squab Diaphragm	Each
NCMC720	'93-'95 Front Seat Squab Diaphragm	Each
NCMC707	'90-'95 Packet Of 20 Seat Frame Clips	
NCMSF660	'90-'92 Front Seat Base Foam Wrap	
NCMSC3079	'90-'91 Rear Seat Cover Kit	
NCMSC3078AM	'91-'95 Rear Seat Cover Kit	
NCMSF668	Rear Seat Base Foam Cushion	
NCMSF669	Rear Seat Squab Foam Cushion	
3	NCMDP3040AM	Pair Of Door Panels - Black Lightning Design
	NCMGHF1501	Set Of Door Panel Clips
4	NCMWA3040AM	Pair Of Rear Quarter Panels - Black Lightning Design
5	NCMWA3050	Pair Of Rear Pocket Liners
6	NCMWAC302	4 Pair Of Rear Wheel Arch Covers
	WAC3026	Wheel Arch Cover Foam Padding
7	NCMWA3021	One Rear Parcel Shelf Panel
8	NCMHL3012	Headlining Kit With C Post Panels
	NCMHL3030	Set Of Replacement Headlining Stays
	NCMSV2016	Driver's Side Sunvisor Pad
9	NCMSV2017	Passenger Side Sunvisor Pad With Vanity Mirror
	NCMSV2021	Set Of Sunvisor Pad Brackets - Two Visors
	NCMCK962	Moulded Deluxe Carpet Set
	NCMCK900	Additional Carpet Sound Deadening Kit
	NCMBHH2002	Vinyl Gear Lever Gaiter - Black With Red Over Stitching
	NCMBHH2008	Leather Gear Lever Gaiter - Black With Red Over Stitching
	NCMC716	Front Seat Diaphragm 1990-99 to list



3



7



4



8



5



6



9

Australian Mk1 Mini

NCMDP3025	Door Pocket Liner - Pair - Australian Mk1
NCMDP3050	Door Panels - Pair - Australian MK1 Mini
NCMHL3002	Headlining - Mini Cooper Mk1 Australian
NCMTK3004	Interior Panel Kit - Oval Speedo - Australian MK1 Mini
NCMWA3051	Rear Quarter Panels - Australian MK1 Mini







Interior Trim

Interior Trim



Mini Saloons 1993-95

A new style of front seat was introduced in 1993, which was a great improvement in both comfort, design and safety. As can be seen here, the side bolsters on both the base and squab are very modern compared to earlier Mini seats. Additionally, twin post headrests were fitted. The picture here shows a complete interior in Biscuit with our Monte Carlo door panels fitted. We can of course offer the original Factory designed panels as well.

Table listing parts for Mini Saloons 1993-95, including seat cover kits, foam cushions, and diaphragms.

Colour Combinations - Factory Door Panels

Table showing door panel and rear quarter panel color combinations for various part numbers.

These panels will fit Minis from 1973-1996

Interior Trim

Table listing interior trim parts such as door panel clips, wheel arch covers, parcel shelf panels, and headlining kits.



Table titled 'Colours Available' listing standard colors: Black, Cream, Biscuit, Light Stone Beige, BRG, and Powder Blue.



Mini Saloons 1996-2000

During the mid 1990's, Rover had to upgrade the Mini range in both quality and specification. The front seat frames were modified to cater for a new design of seat covers and the rear seat squab was also altered slightly to take into account the revised seat belt mounting on the rear parcel shelf.

Table listing parts for Mini Saloons 1996-2000, including seat cover kits, foam cushions, diaphragms, door panels, and headlining kits.



We are offering the two most popular designs of that period, both with leather seat bolsters. Style One has the horizontal flute lines whereas Style Two has vertical flutes.

You can choose all one colour or have a different coloured centre section. Contrasting piping colours are also available upon request. We have the original Rover door and rear quarter panel tooling so you can have completely original panels as well.

Table titled 'Colours Available' listing colors: Black, BRG, Red, Biscuit, Light Stone Beige, and Black/Grey or Silver.



Table showing door panel and rear quarter panel color combinations for various part numbers.





### Moulded Carpet Sets

The same floor pan was used on all cars until British Leyland changed the gearbox mechanism to a rod change system in 1973. Until then the front floor pan had a rounded centre tunnel with a bulge on the right hand side. On very early Minis this bulge held the floor mounted starter, button. The carpets are designed to fit both LHD and RHD cars and have markings underneath to denote positions of the steering wheel. Full fitting instructions are included. The Traveller rear luggage compartment carpet sets are sold separately.



Special Moulded Carpet to allow perfect fitment



1	NCMCK960	Saloon	up to 1973
2	NCMCK962	Saloon (No Handbrake Gaiter)	1973 on
	NCMCK970	Estate/Travellers	up to 1970
3	NCMCK971	Estate/Traveller Rear Carpet Set	1963-'66
	NCMCK972	Estate/Traveller Rear Carpet Set	1966-'80
	NCMCK973	Van and Pick Up	1973 on
	NCMCK974	Van and Pick Up	up to 1973
	NCMCK955	Clubman Estate Carpet	
	NCMCK900	Carpet Underfelt Kit - All Mini Saloon Models	
	NCMCK985	Rear Load Area Carpet - Van RHD	
	NCMCK986	Rear Load Area Carpet - Van LHD	
	NCMCARMTR	Carpet by the 1/2 Metre	

Our sets for the Traveller, Van & Pickup have moulded front carpets, but not a moulded rear section as the saloons do. All these sets will fit both LHD and RHD cars. Floor fixing clips and full fitting instructions are included with each kit.

Colours Available			
Black	Biscuit	Grey	
Green	Powder Blue	Red	

### Mat Sets

These heavy duty nylon carpet mats are backed with a non slip rubber backing. They are designed to fit exactly into the front footwells and the rear set will allow the seat frame to rest on the original plastic slide in the rear area.



- Available in Black & Grey.
- Available as 2 or 4 piece sets.
- Black binding as standard.
- Contrasting binding also available in Blue, Grey and Red upon request.

NCMCK991	Classic Mini Overmats - 2 Piece Set	1973 on
NCMCK992	Classic Mini Overmats - 4 Piece Set	1973 on
NCMCK996	Classic Mini Overmats - 4 Piece Set	1959-'73
NCMCK993	Classic Mini Overmats - 4 Piece Set	1959-'73
NCMCK998	Estate/Traveller 4 Piece Set	1960-'70
NCMCK997	Clubman Estate	1970 on

### Engine Bay Bulkhead Insulation



1	ETD101950	Bulkhead Insulation Pad - RHD Carb	1989 on
2	ETD101960	Bulkhead Insulation Pad - LHD Carb	1989 on
3	ETD102580	Bulkhead Insulation Pad - RHD Injection	
	ETD102590	Bulkhead Insulation Pad - LHD Injection	

### Insulation Kits

Minis very rarely have bonnet insulation pads. We offer special deluxe quilted pads as well as standard. Both styles are very effective sound deadener. Each kit includes a high temperature adhesive.



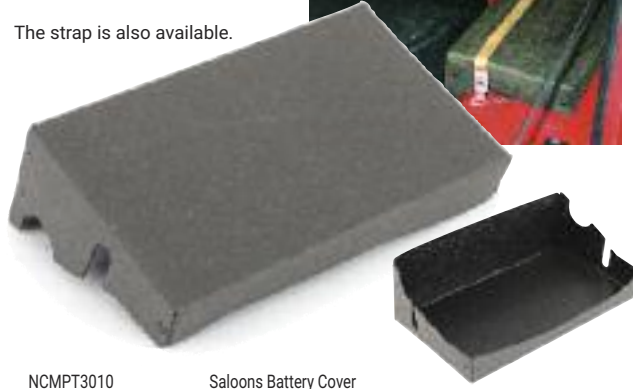
NCMCK979	1959 - 1970 Bonnet & Bulkhead Pads	
NCMCK980	1970 - 2000 Bonnet Pad Only	
NCMCK975	1970 - 2000 Bonnet & Bulkhead Pads	
NCMCK976	Elf & Hornet Bonnet Pad	
NCMCK977	All Clubman Models - Bonnet & Bulkhead Pads	1970-'80
NCMCK982	Four Piece Mini Bonnet Pads	1970-'00
NCMCK3000	Bulkhead Pad Only (Glue Not Supplied) -	
NCMPT4008	Bitumen Sound Deadening Pad 30cm x 20cm	Each
NCMPT4012	Bitumen Sound Deadening Pads 30cm x 20cm	Set of 6
NCMPT4015	Eco Neutral Sound Deadening Pads 30cm x 20cm	Pack 4

### Battery box

Most Mini owners have lost these covers over the years, so why not replace it?



The strap is also available.



NCMPT3010	Saloons Battery Cover
NCMPT3011	Saloon Battery Strap
NCMPT3013	Van and Pick Up Battery Cover and Strap Kit
NCMCK983	Battery Cover Hardura - Traveller - 7 x 12 x 2"

### Spare Wheel Cover

These covers are made from strong Black PVC coated felt known as Hardura and manufactured to fit both standard and larger tyres.



NCMCK902	Spare Wheel Covers For Both 10" & 12"
----------	---------------------------------------

### Boot Lid Board



These black boot lid boards were fitted originally to MK.I cars in the 1960 period, but have proved very popular since as an accessory. The board is held in place with screws and cupwashers which are provided and will protect the paintwork and will probably give extra sound insulation.

NCMPT3008	Boot Lid Board
-----------	----------------

### Boot Boards

Our carpeted boot boards are made from carpet covered plywood with sewn vinyl edging which is turned and stapled to the underside of the board. These were fitted only to Mk I and Mk II Mini Coopers from 1964 to 1970. We have developed others for later models together with a special bracket kit. For early models we also offer a carpet only for you to fit yourself.

**COLOURS AVAILABLE**  
BLACK, BISCUIT, BLUE, GREY, GREEN, POWDER BLUE, RED



NCMCK951	Carpeted Boot Board - Single Tank	1962 - '80
NCMCK952	Carpeted Boot Board - Twin Tank	1962 - '80
NCMCK954	Carpeted Boot Board - Single Tank	1980 - '92
NCMCK953	Carpeted Boot Board - Single Tank	1992 - '00
NCMCK966	Boot Board Carpet Only - Single Tank	1962 - '80
NCMCK967	Boot Board Carpet Only - Twin Tank	1962 - '80
NCMCK722A	Boot Floor Mat - Black	
NCMCK963	Boot Board Carpet - Elf Hornet	
NCMCK968	Boot Board Carpet - Single Tank Late Type	1992-'00
NCMCK969	Boot Board Carpet - Single Tank	1980-'92



Our boards are made from plywood and carpeted with a vinyl edge finish. Our bracket kits are as the original 1960's Factory design

5	NCMCK948	Bracket Tank	1962 - '80
4	NCMCK950	Bracket Kit	1980 - '90
	NCMCK941	Bracket Kit (Use With 165 Size Tyres)	1980 - '90
	MCR6	Bootboard Front Mounting Bracket	
	MCR7	Bootboard Rear Mounting Bracket	
	MCR8	Bootboard Rear Centre Mounting Bracket	
	MCR12	Boot Board Mounting Clip	
	MCR22	Boot Board Centre Bracket Locking Rubber	
	MCR23	Boot Board Mounting Bracket Buffer	

Interior Trim

Interior Trim



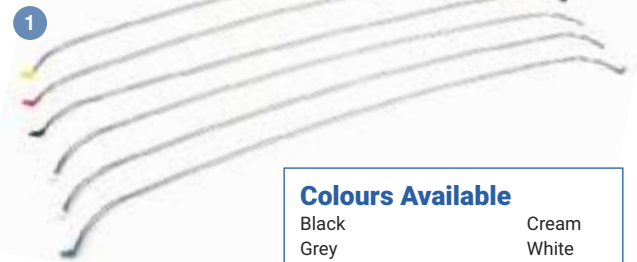


Headlining Kits



This is a full kit to fit Minis Saloons from 1973 onwards and includes stays, sunvisors and c-post covers and rods.

Replacement stay kit to fit all saloons built from 1970 onwards. Comes colour coded with fitting instructions for easy fitting.



Colours Available

- Black
- Grey
- Cream
- White

Sunvisors & Brackets



This sunvisor is relatively simple, held in place by a single chromed bracket. Early cars had a light grey material, whereas later cars had the Cream Crackle material.

This pad was much larger and more padded and has included a chromed swivel bracket at one end and a plastic peg at the other. The material is usually Cream Crackle.

This style of pad was used right up to the end of Mini production in 2000.

Cars built between 1966-70 had the Cream Crackle material, after that Light Grey was used for many years. Late cars had a White headlining with pads that had white on one side & black on the other.



Colours Available

- Black
- Grey
- Cream
- White

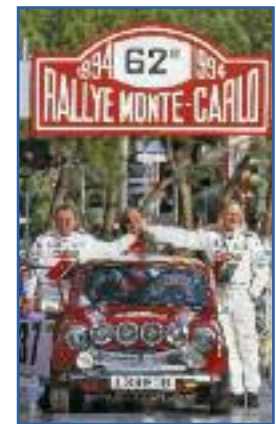
6	NCMSV2000	Sunvisor Pad	1959 - '64
7	NCMSV2004	Bracket	1959 - '64
8	NCMSV732	Sunvisor Pad - Swivel Type	1964 - '65
9	NCMSV2016	Sunvisor Pad - Drivers Side	1966 - '00
10	NCMSV2017	Sunvisor Pad - Passenger Side (Inc Mirror)	1966 - '00
11	NCMSV2021	Bracket and Screw Set	1966 - '00

Monte Carlo Trim Panels 1973 - 2000 Mini & Clubman Models

This 12 piece kit includes a pair of speedo surround panels, a dash tray liner, pairs of door and rear quarter panels, rear pocket liners, wheel arch covers and a rear parcel shelf liner. These two kits are suitable for cars fitted with the central round or oval style instrument cluster. Oval consoles have three dials, where as the round console has only a speedometer fitted.



12	NCMTK3039	For Oval Centre Instrument Binacle
	NCMTK3040	For Round Centre Instrument Binacle
	NCMTK3044	For RHD Offset Instrument Binacle
	NCMTK3045	For LHD Offset Instrument Binacle
<b>Monte Carlo 9 Piece trim Kit</b>		
	NCMTK3042	Without Speedo Panels or Dash Tray Liner
<b>Monte Carlo 11 Piece Mini Van &amp; Pick up Kits</b>		
	NCMTK3049	For Oval Centre Instrument Binacle
	NCMTK3051	For Round Centre Instrument Binacle
<b>Monte Carlo 4 Piece Mini Saloon Kit</b>		
	NCMTK3041	Pairs of Door and Rear Quarter Panels Only
<b>Monte Carlo Mini Estate</b>		
	NCMTK3052	Monte Carlo Interior Kit - Round Speedo
	NCMTK3053	Monte Carlo Interior Kit - Oval Speedo
	NCMTK3054	Monte Carlo Interior Kit - RHD Offset Speedo
	NCMTK30545	Monte Carlo Interior Kit - LHD Offset Speedo
13	NCMDP3030	Pair of Door Panels
14	NCMWA3032	Rear Quarter Panels
	NCMGHF1501	Packet of 20 Door Panel Clips
	NCMWA3050	Rear Pocket Liners
15	NCMWAC3024	Rear Wheel Arch Covers
	NCMWA3025	Rear Parcel Shelf-Carpeted
16	NCMDT3022	Dash Tray Liner
17	NCMDT3076	Dash Tray LinerSupport Kit
	NCMTK3039	12 Piece Panel Kit-Round Speedo Models
	NCMTK3040	12 Piece Panel Kit-Oval Speedo Models
18	NCMWA3021	Pair of Speedo Panels



The Monte Carlo trim panel kits were developed to fit Paddy Hopkirk's Mini Cooper S in 1994 when he celebrated his 30 year anniversary of his win on this famous Rally. The design is based on the 1960's Mini Cooper interior, but have adapted this design to fit the later trim panels. Various colours are available, as listed below. These kits fit 1973-2000 Minis.

A new range of seat covers to fit the mid 70's to late 80's range of minis that will complement out monte-carlo trim panel kits. These are front and rear seat cover sets



SC3069	Vinyl Seat Covers - Fixed Front Seats
SC3070	Vinyl Seat Covers - Reclining Front Seats
NCMSC3040	Front Rear Seat Cover Kit with Front Foam
SC3071	Vinyl Seat Covers - Reclining Front Seats & Headrest
SC3072	Cloth Seat Covers - Fixed Front Seats
SC3073	Cloth Seat Covers - Reclining Front Seats
SC3074	Cloth Seat Covers - Reclining Front Seats & Headrest

Colours Available

- Black
- Porcelain Green
- Tartan Red
- Biscuit
- Dove Grey
- Light Stone
- Cream
- Dark Grey
- Beige
- BRG
- Navy





Interior Trim

Interior Trim

### Replica Reclining Seats

NCMS3050	MK1 & 74on Replica Reclining Seat LH
NCMS3051	MK1 & 74on Replica Reclining Seat RH
NCMS3048	Cooper MK2 1967-70 Replica Reclining Seat LH
NCMS3049	Cooper MK2 1967-70 Replica Reclining Seat RH
NCMS3060	Cooper MK3 1970-73 Replica Reclining Seat LH
NCMS3061	Cooper MK3 1970-73 Replica Reclining Seat RH
NCMSC3289	Saloon Rear Seat Cover Kit to match MK.I design
NCMSC3044	Saloon Rear Seat Cover Kit to match MK.II design
NCMSC3059	Saloon Rear Seat Cover Kit to match MK.III design
NCMS3052	Replica Reclining Seat - LH - Leather
NCMS3053	Replica Reclining Seat - RH - Leather

### Colours Available

- Black
- Tartan Red/Gold Brocade
- Dark Grey/Dove Grey
- Porcelain Green/Dove Grey
- Powder Blue/Gold or Silver Brocade
- Cumulus Grey/Gold Brocade.



### Bucket Seats

NCMS3265	Classic 2000 Bucket Seat LH	Vinyl
NCMS3266	Classic 2000 Bucket Seat RH	Vinyl
NCMS3267	Classic 2000 Bucket Seat LH	Leather Faced
NCMS3268	Classic 2000 Bucket Seat RH	Leather Faced
NCMSC3289	Saloon Rear Seat Cover To Match	Vinyl
NCMSC3290	Saloon Rear Seat Cover To Match	Leather faced
NCMSF668	Rear Seat Base Foam	
NCMSF669	Rear Seat Squab Foam	

### Colours Available MK.I & II models:

- Black
- Tartan Red/Gold Brocade
- Dark Grey/Dove Grey
- Porcelain Green/Dove Grey
- Powder Blue/Gold or Silver Brocade
- Cumulus Grey/Gold Brocade

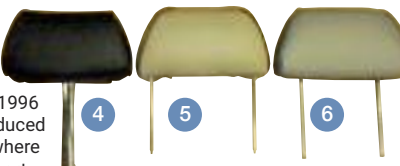
### Other models: As above or

- Biscuit Cream
- British Racing Green
- Light Stone Beige Navy



### Headrests

In 1982 headrests were introduced with a single stalk. In 1993 a twin post unit was introduced and then in 1996 a similar unit was introduced with a different frame where the stalks are only 7" apart.



4	NCMHR3060	Single Stalk	1982-'92
5	NCMHR3061	Double Stalk - Early	1993-'95
6	NCMHR3062	Double Stalk - Late	1996-'00

### Rear seats

NCMS3300	Mini Rear Seat Squab Frame '60-'70
NCMS3301	Rear seat squab frame '70-'98
NCMS3077	Rear Seat Assembly - Vinyl
NCMS3054	Rear Seat Assembly - Leather



### Classic Seat Covering Kits

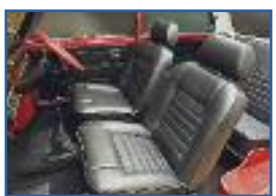
The seat kit includes all front and rear covers, front seat foam kit, diaphragms & seat clips. The rear seat foams can normally be reused, but new ones are available if necessary. From 1973-92 there were three front seat frame designs, so listed below are the types for each period. (Initially the early frames did not recline, then they did recline and finally they reclined and had headrests). Each seat kit has a set of fitting instructions. Listed below is a range of colours available as standard, but we can offer different colour options to suit you.



1 1973-75 Models - Non Reclining



2 1975-82 Models - Reclining



3 1982-92 Models - Reclining with Head Rest

### 1973-1975 Models - Non-Reclining Front Seats

NCMSC3271	Black or Beige Vinyl with Charcoal or Beige Cloth Centres
1 NCMSC3270	All Vinyl in Various Colours
NCMSC3270L	Leather Faced Covers in Various Colours

### 1975-1982 Models - Reclining Front Seats

NCMSC3273	Black or Beige Vinyl with Charcoal or Beige Cloth Centres
2 NCMSC3272	All Vinyl in Various Colours
NCMSC3272L	Leather Faced Covers in Various Colours

### 1982-92 Models - Reclining Front Seats with Headrests

NCMSC3275	Black or Beige Vinyl with Charcoal or Beige Cloth Centres
3 NCMSC3274	All Vinyl in Various Colours
NCMSC3274L	Leather Faced Covers in Various Colours

### Suffolk Reclining Seats



Primarily aimed at pre-1993 cars but suitable for all minis where the original seats have become worn or damaged beyond safe repair. Utilising a fully adjustable modern reclining mechanism and twin post, height adjustable head restraints, the seats also feature 6" (150mm) front to back travel on the seat slides. The subframe was designed to have the same floor footprint as a factory seat. The anti-tilt mechanism is a standard feature of the subframe.

### Colours Available

- Black or Beige with Cloth centres
- Tartan Red
- British Racing Green
- Dark Grey

NCMS3292	Front Seat in Vinyl LH
NCMS3293	Front Seat in Vinyl RH
NCMS3294	Front Seat in Leather LH
NCMS3295	Front Seat in Leather RH
NCMSC3289	Rear Seat Covering Kit in Vinyl
NCMS3292	Rear Seat Covering Kit in Leather

### Tool Bag & Jack Bags

These useful items for storing tools and the jack in the boot are made from very strong PVC with a brown felt backing known as "Hardura". The tool bag has various sized stitched pockets for the tools. These bags were originally designed for the MGA in the 1950's, so being authentic BMC items, we thought they would suit the Mini as well!



7	NCMCK720	Tool Bag
8	NCMCK721	Jack Bag
	NCMCK719	Hardura Jack Bag

### Inner Door Membrane

NCMDL3030	PVC Inner Door Membrane Mk3 on	Pair
-----------	--------------------------------	------

### Mini Indoor & Outdoor Car Covers



1	COVCC105BLK	Mini Indoor Car Cover	BLACK
2	COVCC103GREY	Mini Indoor/Outdoor Car Cover	GREY
3	MCPCC.COVG	Cooper Soft Fleece Indoor Car Cover	
4	MCPCC.COVGMP	Cooper Soft Fleece Indoor Car Cover with Mirror Pockets	
5	PH33.151	Paddy Hopkirk Soft Fleece Indoor Cover	
6	PH33.150	Paddy Hopkirk Soft Fleece Indoor Cover with Mirror Pockets	
	COVCC104GREY	Outdoor Stormforce Mini Cover - Grey	

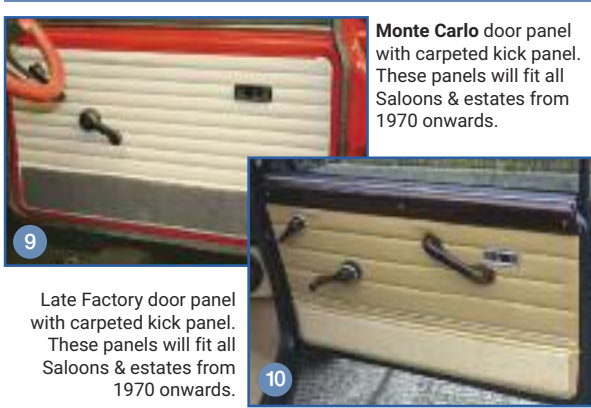
### Door Check Straps

These straps have a heavy duty webbing material inside the vinyl which is stitched to add extra strength. All original interior colours are available.



NCMDC3005A	Door Check Strap	Black
NCMDC3005CG	Door Check Strap	Cumulus Grey
NCMDC3005GB	Door Check Strap	Gold Brocade
NCMDC3005J	Door Check Strap	Porcelain Green
NCMDC3005M	Door Check Strap	Red
NCMDC3005P	Door Check Strap	Dove Grey
NCMDC3005PB	Door Check Strap	Dark Grey
NCMDC3005PB	Door Check Strap	Powder Blue

### Carpeted Door Cards



9	NCMDP3109	Monte Carlo Door Panels - Carpeted	1970 - 2000
10	NCMDP3111	Late Type Door Panels - Carpeted	1970 - 2000

### Gear Lever & Handbrake Lever Gaiters



NCMBHH2005	Vinyl (Remote control gear lever)	1962-'73
11 NCMBHH2006	Leather (Remote control gear lever)	1962-'73
NCMBHH2000	Vinyl - All Models	1973-'00
12 NCMBHH2007	Leather - All Models	1973-'00
NCMBHH2002AM	Vinyl Cooper (Black with Red top stitching)	1990-'95
NCMBHH2008AM	Leather Cooper (Black with Red top stitching)	1990-'95
13 NCMCK989A	Black Handbrake Lever Gaiter	
NCMCK6008Z	Handbrake Gaiter - Biscuit	

### Dash Liner



14	NCMDT3075	Hardura Dash Liner - Mini All Models
	NCMDT3025	Hardura Dash Tray Liner





### COBRA The World's Finest Automotive Seats

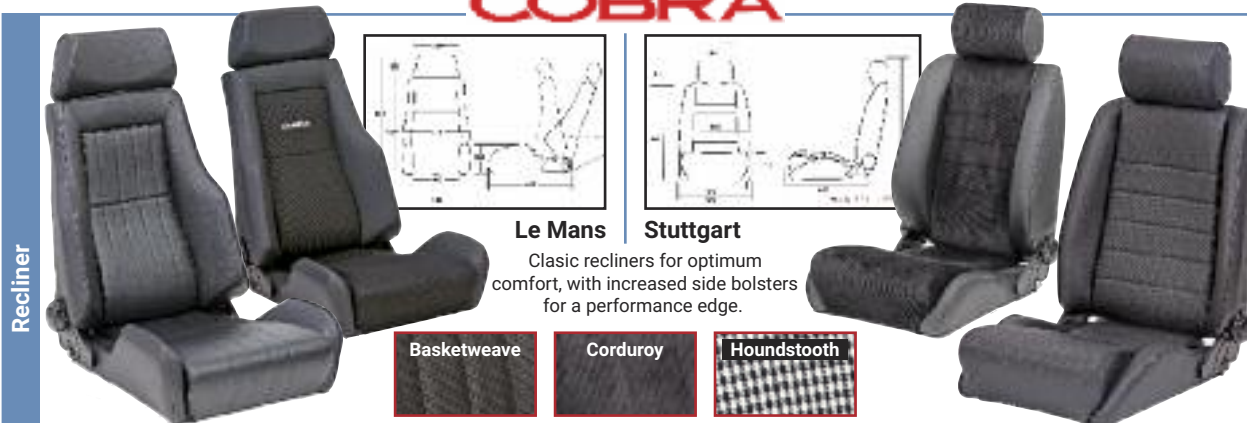


THE COBRA BRAND IS RECOGNISED GLOBALLY AS THE NAME BEHIND SOME OF THE MOST SOPHISTICATED SEATING IN THE WORLD. For over 30 years Cobra Seats has been manufacturing exclusively in the United Kingdom, earning a reputation that unites innovative technology, quality of design and functional elegance.



Stuffed technology was originally developed for BRCA to protect astronauts from temperature fluctuations. The temperature controller within which the human body feels comfortable is relatively narrow. Stuffed technology helps to smooth changes in temperature within this window, maintaining a more consistent temperature range.

## COBRA



**Le Mans** Stuttgart  
Classic recliners for optimum comfort, with improved side bolsters for a performance edge.



COBLMS-V-BK	Black Soft Grain Vinyl All Over
COBLMS-V-S-BK-BK	Black Vinyl Outers with Spacer Fabric Centres
<b>Heritage Range</b>	
COBLMS-HERT-V-BK	Black Vinyl All Over with Piping
COBLMS-HERT-V-C-BK	Black Vinyl Outer with Piping and Corduroy Centre
COBLMS-HERT-V-BW-BK	Black Vinyl Outer with Piping and Basketweave Centre

COB-STG-M-BK	Soft Grain Vinyl all over with Piping
COB-STG-M-C-BK-BK	Soft Grain Vinyl Outers with Piping and Corduroy Centre
COB-STG-M-H-BK	Soft Grain Vinyl Outers with Piping and Houndstooth Centre
COB-STG-M-BW-BK	Soft Grain Vinyl Outers with Piping and Basketweave Centre

## COBRA



**Clubman** Monaco Pro  
Competition seats with tubular steel frame construction and a deep-sided ergonomic shape for maximum lateral support.



COBCMNS-BK	Black Spacer Fabric All Over
COBCMNS-RD	Seat Spacer Fabric - Black with Red Centre
COBCMNS-BL	Seat Spacer Fabric - Black with Blue Centre
COBCMNS-GY	Seat Spacer Fabric - Black with Grey Centre

COBMNP-S-GY	Grey Spacer Fabric All Over
COBMNP-S-RD	Red Spacer Fabric All Over
COBMNP-S-BL	Blue Spacer Fabric All Over
COBMNP-S-BK	Black Spacer Fabric All Over

## COBRA

**Available colours**  
Classic Seat only:  
Black, Royal Blue, Red, Grey, Navy Blue, Burgundy, Orange, Purple, Pink, Magnolia, Ivory or White with matching or contrasting Piping and stitching

**1** COBCLV-SIG Any one or two colour Vinyl combination  
COBSFX050 Black Soft Grain Vinyl  
COBCLV-C-BK Black Soft Grain Vinyl  
COBCLV-C-BK Black Soft Grain Vinyl/Black Corduroy Centres  
COBCLV-BW-BK Black Soft Grain Vinyl Outers with Basketweave Centres

**1a** COBCLH-V-SIG Any one or two colour Vinyl combination  
COBSFX051 Black Soft Grain Vinyl  
COBCLH-V-BK Black Soft Grain Vinyl  
COBCLH-V-C-BK Black Soft Grain Vinyl Outers with Corduroy Centres  
COBCLH-V-BW-BK Black Soft Grain Vinyl Outers with Basketweave Centres

**Including Head Rests**

**COBRA Classic Rear Seat Covers**

Rear seat covers, allow an inexpensive way of matching your Minis rear seats to your Cobra sports seats. Available in all Cobra colours and seat styles, so the choice is yours!

COBRSC003B/R	Black Soft Grain Vinyl/ Red Soft Grain Piping
<b>Also available in Red/ BRG/ Cream Soft Grain Vinyl/ with Contrasting Soft Grain Piping</b>	
COBRSC01	Black Soft Grain Vinyl
COBRSC04	Cream Soft Grain Vinyl
COBRSC0407	Black Soft Grain Vinyl/ Black Corduroy Centres
COBRSC0408	Black Soft Grain Vinyl Outers/ Black Basketweave Centres
COBRSC0409	Black Soft Grain Vinyl Outers/ Houndstooth Centres

## COBRA

**Classic RS40**

**RS & RS40** **RSR**  
A Design classic that harks back the the 70's when bucket seats first appeared.

**Basketweave** **Corduroy** **Houndstooth**

COBCRS-M-BK	RS Soft Grain Vinyl all over with Piping
COBCRS-M-C-BK-BK	RS Soft Grain Vinyl Outers with Piping and Corduroy Centre
COBCRS-M-H-BK	RS Soft Grain Vinyl Outers with Piping and Houndstooth Centre
COBCRS-M-BW-BK	RS Soft Grain Vinyl Outers with Piping and Basketweave Centre
COBCRS-M-BK40	RS 40 Soft Grain Vinyl all over with Piping
COBCRS-M-C-BK40	RS 40 Soft Grain Vinyl Outers with Piping & Corduroy Centre
COBCRS-M-H-BK40	RS 40 Soft Grain Vinyl Outers with Piping & Houndstooth Centre
COBCRS-M-BW-BK40	RS 40 Soft Grain Vinyl Outers with Piping & Basketweave Centre

COBCRSR-M-BK	Soft Grain Vinyl all over with Piping
COBCRSR-M-C-BK-BK	Soft Grain Vinyl Outers with Piping and Corduroy Centre
COBCRSR-M-H-BK	Soft Grain Vinyl Outers with Piping and Houndstooth Centre
COBCRSR-M-BW-BK	Soft Grain Vinyl Outers with Piping and Basketweave Centre

### Seat Subframes & Brackets

COBSUBFR03L	Subframe Tailored - Left Hand Side - Cobra	
COBSUBFR03R	Subframe Tailored - Right Hand Side - Cobra	
COBSUBFR07	Seat Runners - Cobra	Pair
COBSUBFR11	Side Mounts Alloy 5mm - Cobra	Pair
MONSAB1	Seat Adjuster Bracket	Pair
MCPIS.SAB	Cooper Seat Adjuster Brackets with Signature	Pair
SMB124	Seat adjusting brackets (1 seat) - Stainless	
SMB195	Standard seat brackets (1 seat) - Black powder coated	
SMB195/1	Seat brackets with extension (2 seats) - Black powder coated	
SMB195/2	Standard seat brackets (2 seats) - Black powder coated	
SMB195/3	Seat brackets with extension (1 seat) - Black powder coated	

## COBRA

**GT**

The Classic is the original sports seat, providing ideal support and stripped down driving pleasure.

COBCGT-V-BK	Soft Grain Vinyl with Piping
COBCGT-V-C-BK	Soft Grain Vinyl outers and Piping with Corduroy Centre
COBCGT-V-BW-BK	Soft Grain Vinyl outers and Piping with Basketweave Centre

Seats & Seatbelts

Seats & Seatbelts

Classic Bucket Seat

Classic Bucket Seat

Classic Bucket Seat





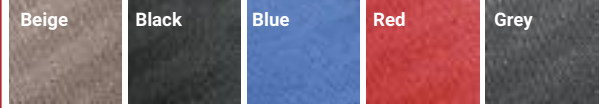
Scan Me



# Seatbelts & Harnesses

## Securon

Aesthetically appealing coloured webbing. These automatic belts (Lap & Diagonal) are designed as a direct replacement to your original belts, front & rear and comply with all European Safety Standards ALL Securon seatbelts are available in several colours.



### Inertia Reel Seatbelts



1	SEC500/30Black	Front	Black	Each
	SEC500/30Red	Front	Red	Each
	SEC500/30Blue	Front	Blue	Each
	SEC500/30Beige	Front	Beige	Each
	SEC500/30Grey	Front	Grey	Each
	SEC500/45/BLK	Front	Black	Each
	SEC500/45/RED	Front	Red	Each
	SEC254Black	Rear	Black	1959 - 1996
	SEC254Red	Rear	Red	1959 - 1996
2	SEC254Blue	Rear	Blue	1959 - 1996
	SEC254Beige	Rear	Beige	1959 - 1996
	SEC254Grey	Rear	Grey	1959 - 1996
	SEC264Black	Rear	Black	1997 - 2001
	SEC264Red	Rear	Red	1997 - 2001
	SEC264Blue	Rear	Blue	1997 - 2001
	SEC264Beige	Rear	Beige	1997 - 2001
	SEC264Grey	Rear	Grey	1997 - 2001

### Static Seatbelts



3	SEC300/30/Black	Front	Black	Each	
	SEC300/30/Red	Front	Red	Each	
	SEC300/30/Blue	Front	Blue	Each	
	SEC300/30/Beige	Front	Beige	Each	
	SEC300/30/Grey	Front	Grey	Each	
	SEC200/Black	Rear	Black	Each	
	SEC200/Red	Rear	Red	Each	
	SEC200/Blue	Rear	Blue	Each	
	SEC200/Beige	Rear	Beige	Each	
	SEC200/Grey	Rear	Grey	Each	
4	SEC210/Black	Rear	2 Point Lap Belt	Black	Each
	SEC210/Beige	Rear	2 Point Lap Belt	Beige	Each
	SEC210/BRed	Rear	2 Point Lap Belt	Red	Each

### Sabelt Harnesses



The number one competition harness in the world, chosen by many of the leading teams in Formula One, Touring Car and World Rallying.



	SAB90x019N	Clubman 3 Point	Bolt In
1	SAB90x059NP	Clubman Double Release 3 Point	Bolt In
	SAB90x020NP	Clubman 4 Point Bolt in with Shoulder Pads	
	SAB90x070NP	Clubman 4 Point Snap Hook with Shoulder Pads	
	SAB90x086N	Clubman 4 Point Economy	Bolt In
3	SABCCA433SxU	4 Point Aero Buckle - 75mm shoulder - 75mm lap	Snap Hook
	SABCCB633SxU	4 Point Aero Buckle - 75mm shoulder - 75mm lap	Snap Hook
	SAB41x850E	T type Crutch Strap	Snap Hook
	SAB41x853E	V type Crutch Strap	Bolt In
	SAB41x853ME	V type Crutch Strap	Snap hook
4	SAB407005	Harness Fixing Eyebolt	
5	SABCCM10016	Eyebolt Mounting Plate with Welded Nut	
6	SAB4500x0	50mm Harness Pads	Pair
7	SAB4750x0	75mm Harness Pads	Pair



### Eyebolt & Plate Kits



1	GRAGE50	Eyebolt and Plate Kit	Set of 3
2	GRAGE51	Eyebolt and Plate Kit	Set of 4



## Motorsport Preparation Race | Rally | Hill Climb

Motorsport is in our DNA. Competing at the top level for over 50 years, our passion pushes the boundaries of development & drives innovation.

## We have the Winning Formula

### Our Services:

- ✓ Race/Rally Car Builds
- ✓ Roll Cage Installation
- ✓ Safety Equipment
- ✓ Fire Extinguishers
- ✓ Harnesses
- ✓ Fuel Tank Systems
- ✓ Engine/Gearbox Builds
- ✓ Geometry Set Up
- ✓ Handling Upgrades



Simply get in touch today...  
...discuss your Mini, and the options we have available.





Historic Competition Products

Historic Competition Products

FIA Competition Roll Cages

**CUSTOM ROLL CAGES** THE DRIVING FORCE IN ROLL CAGE DESIGN



Fit with 45mm Lap Joints



FIA approved lap joints: stronger than saddle joints or clamps, are used for ease of fitment.

Designing, developing and manufacturing roll cages for WRC (classes R1-R5), Super 2000, FIA GT3, WTCC, BTCC, international historic rally events plus a myriad of other Motorsport categories.

ROLLCAGE001	Full Muti Point Bolt-in	MSA Approved
ROLLCAGE002	6 Point Bolt-in	MSA Approved



Sump Guards




As fitted to the RAC, Monte Carlo & British Rally Championship Minis.

1	MORMS0369	Mini Sport Short Steel
2	MORMS0371	Monte Carlo Dural
3	MORMS0372	RAC Dural
4	MORMS0373	Dural Extension Piece for Monte Carlo or RAC Guards
5	SPDFM-MSG-FL-AL	Aluminium Sumpguard - Fletcher cut out logo
5	SPDFM-MSG-FL-SS	Stainless Steel Sumpguard - Fletcher cut out logo
6	SPDFM-MSG-STD-AL	Aluminium Sumpguard
6	SPDFM-MSG-STD-SS	Stainless Steel Sumpguard
7	MSLSGUARD	Aluminium Mini Sport Sumpguard
8	MCPXS.ASG	Aluminium Cooper Sumpguard
9	PH33.070	Aluminium Paddy Hopkirk Sumpguard

Safety Devices


TECHNOLOGY OF PROTECTION

Available in 6 point, multi-point, weld-in or Safety Weld. Laser cut and formed on computerised bending equipment for an accurate fit. Manufactured from Trumech CFS 3BK and T45 tubing. RAC MSA/FIA certified.



Available in Black or Red

Ensure that all weld-in cages are fitted by a competent, certificated welder. We can accept no liability for injuries caused due to incorrect fitment of these cages.



1	SAFRBN046SMUR	Full Bolt in Multipoint Roll Cage	FIA Approved
	SAFRBN926SSU	Weld in Multipoint Cage	FIA Approved
2	SAFRBN004SSS	Rear Rally Roll Cage - No Diagonal	
	SAFRBN005SSS	Rear Race RHD Roll Cage - with Diagonal	FIA Approved
	SAFRBN005SSS/LHD	Rear Race LHD Roll Cage - with Diagonal	FIA Approved
3	SAFRBN1005SRS	Rear RHD Roll Cage with Detachable Diagonal	Road Only
	SAFRBN1005SRS/LHD	Rear LHD Roll Cage with Detachable Diagonal	Road Only
	SAFRBN0005SXS	Rear Roll Cage with X Diagonals and Harness Bar	
4	SAFRBN003SSS	Front Roll Cage	FIA Approved
	SAFRB00A1	Door Bars	FIA Approved
			Pair
5	GRAGE950BL	Roll Cage Padding - Black - Metre Length	
6	SAFRBN090DR	Dash Bar	
7	SAFRBN000-3SSS-FK	Front Roll Cage Fitting Kit (Supplied with Cage)	
	SAFRBN000-5SSS-FK	Rear Roll cage Fitting Kit (Supplied with Cage)	
	SAFFIT-KIT.FD/B	Door Bars Fitting Kit (Supplied with Door Bars)	
8	SAFRBN096HB	Harness Bar	

Roll cages are available in either Red or Black

Fire Extinguishers



1	PDSAERP01	4.25ltr AFFF Electrical + 2.4ltr Hand Held Rally Pack
2	PDSAFE425	4.25ltr AFFF Electrical Extinguisher
	PDSAMRP01	4.25ltr AFFF Mechanical + 2.4ltr Hand Held Rally Pack
	PDSAFM425	4.25ltr AFFF Mechanical Extinguisher
3	PDSHHA24	2.4ltr AFFF Hand Held Extinguisher
4	LMA233/2ST	Fire Extinguisher Pull Cable 2m - Stainless Fittings
5	LMA233/3ST	Fire Extinguisher Pull Cable 3m- Stainless Fittings
6	LMA233/4ST	Fire Extinguisher Pull Cable 4m- Stainless Fittings

Body Fixtures



1	GRAGE115	Lightweight Alloy Door Pull Handle - Black	Pair
2	GRAGE515BL	BLACK Recessed Bonnet Pin Plates	Pair
3	GRAGE58	Quick Release Bonnet Pin Kit	Pair
4	MONRHS	Rubber Bonnet Hooks - Small	Pair
5	MONRHL	Rubber Bonnet Hooks - Large	Pair
6	LMA240/x	Bonnet Pin Kit - Available in Silver, Red and Blue	
	LMA240	Bonnet Pin Set - Stainless - (BPS1)	
	MONBPLx	Competition Lightweight Bonnet Pins	
		Available in Red, Blue and Gold	
	LMA243	Over Centre Toggle Latch	Pair
	LMA289	Lockable Over Centre Toggle Latch	Pair
	MONSHB	Competition Spring Hooks - Black	
	MONSHS	Competition Spring Hooks - Stainless Steel	
7	SPC1608	Sparco Terry Boot Springs	
	SPC3780S	Drivers Foot Rest - Silver	
	SPC3789AN	Co-Drivers Foot Rest - Silver	
	SPC378B	Sparco Drivers Alloy Foot Rest - Blue	
	SPC378R	Sparco Drivers Alloy Foot Rest - Red	

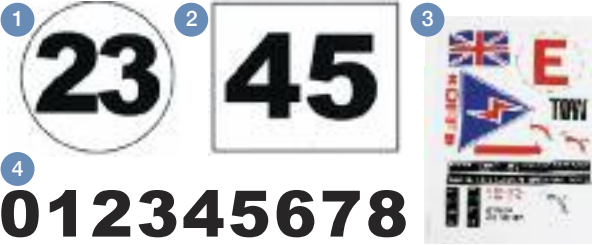
Exhaust Heat Wrap



Lower Engine Bay Temps, Improve BHP


1	GRAGE980-15	Exhaust Heat Wrap - 50mm x 15m
---	-------------	--------------------------------

Rally Decals



1	LMA274	White Door Circles	Pair
2	JARMS0474	White Door Squares	Each
3	LMA236	Safety Sticker Sheet	Each
4	JAR	11" Individual Door Numbers - 0-8	Each

Electrical



1	LMA788	Battery Master Switch-FIA	
2	LMA789	Master Switch Spare Key	
3	LMA785/1	Battery Cut Out Switch 2 Keys	
	LMA785/2	Battery Cut Out Switch - Water Proof	Straight Terminals
	LMA786	Battery Cut Out Switch - Water Proof	Angled Terminals
4	LMA787	Battery Cut-Out Spare Key	
	GRAGE336	Competition Starter Panel - Push Button, Lights, 1 Switch	30amp
	GRAGE337	Competition Starter Panel - Push Button, Lights, 2 Switches	
	GRAGE344-2	Competition Starter Panel - Push Button, 2 Accessory Switches	30amp
	GRAGE345C	On / Off Toggle Switch with Flip Cover - Carbon	
5	GRAGE40	Avanti Pro Map Light - Top Exit Light	30cm
	GRAGE41	Pro Series 18" Map Light	
	GRAGE42	Avanti Rally Map Light- Side Exit Light	30cm
6	LMA265	Cable Protection 12mm x 1M	
	LMA266	Cable Protection 24mm x 1M	
	LMA269	Cable Protection 12mm x 2M	

Mechanics Gloves



1	SPC20922Sx	Sparco Mechanics Gloves	Small
1	SPC20923Mx	Sparco Mechanics Gloves	Medium
	SPC20924Lx	Sparco Mechanics Gloves	Large
	SPC20925XLx	Sparco Mechanics Gloves	X Large

Gloves available in Black, Red and Blue

Jerry Cans



1	PH37.080	Paddy Hopkirk Steel Jerry Fuel Can - Baylent Cap	Silver
2	PH37.082S	Paddy Hopkirk Steel Jerry Fuel Can Flexible Spout	Silver
3	PH37.081	Paddy Hopkirk Steel Jerry Fuel Can - Baylent Cap	Red
4	PH37.082R	Paddy Hopkirk Steel Jerry Fuel Can Flexible Spout	Red
5	PH37.083	Paddy Hopkirk Steel Jerry Fuel Can - Baylent Cap	Green





Scan Me



Scan Me



Historic Competition Products

Historic Competition Products



The BMCs Abingdon based competition department created each of the 71 Works Mini Cooper S with the utmost attention to detail, leaving nothing unconsidered. The parts in this range are made using the exact same methods that the British Motor Corporation used when creating the originals at Abingdon, with the majority being hand-made with authenticity being considered of upmost importance.

The same materials used in the 60s have been used today to produce these parts, with hand stitching, welding or precision machining being used where needed. These parts cannot be closer to the originals and are perfect replicas. For all those Works admirers and Replica builders, this range of products is a must!

These brackets and paddings etc. all played their part, no matter how small, in taking the Mini rally team to 3 famous wins in Monte Carlo and many other events around the world, forever linking the Mini to the world of motor sport.



Paddy Hopkirk's Replica 33 EJB 'Works' Mini: Rallye Monte-Carlo Winner 1964



At IMM 2019, Mini Sport put together a huge dedicated display of original 'Works Minis' & former BMC Competitions Department Personnel on our stand.

### Headlamp Covers (Protectors)



Headlamp covers were often fitted to the Works Minis in the 60's to prevent headlamp breakages, chips and cracks and have become synonymous with the Classic Works Mini look. These are manufactured to original specifications using highest quality formed perspex cover with leather straps and stainless steel fixings.

- WRRP003BL Headlamp Cover with Black Straps
- WRRP003R Headlamp Cover with Red Straps

### Works Reversing Lamp

This reproduction of the original 'Works' mini reversing lamps are 5 3/4" (146mm) in diameter just as the originals were. Although the Rally team would ideally not be having to reverse, they were essential for getting the Minis out of trouble on the dark, night stages.



- WFT576-L Works Reversing Lamp

### Caliper/Hose Protector Brackets



Designed for rough Rallies where protection of the front Calipers and Brakes from rocks and other road debris was essential. Made from heavy duty steel and designed to take a beating.

- WRRP019R Protector Brackets - Red Pair
- WRRP019B Protector Brackets - Black Pair

### Rear Handbrake Protector Brackets

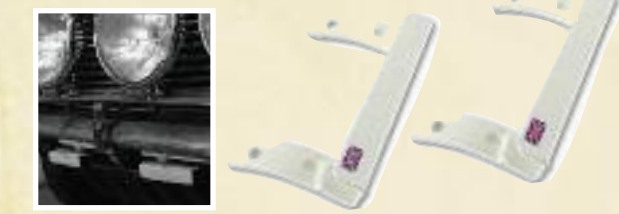


Handbrake protector Brackets a made from high quality, heavy duty steel welded seams for extra strength. Protects rear handbrake cable & lever mechanism

- WRRP020 Handbrake Protector Brackets Pair

### Quick Lift (Jacking Point) Brackets

Made from Heavy Duty Steel and fixed below the front and rear bumper on Works Minis for a fast and quick lift.



- WRRP018 Quick Lift Brackets - White Pair

### Heavy Duty Remote Housing Bracket

This is the bracket that the remote gear lever rubber mounting is attached to and bolts to the floor tunnel. Made from aircraft standard steel and made to last.



- WRRP021 Gearbox Extension Bracket Remote

### Carb Float Chamber Extension Kit

Designed to give more capacity to the float chamber, so that the engine was not starved of fuel on long, uphill Alpine stages. Simply fits to the top of the float chamber on SU Carburettors



- WRRP027 Float Chamber Extension Kit

### Winter Grille Covers



Grille Covers were used in extreme conditions to keep out the ice and snow to ensure the engine stayed at an optimal temperature and the vital electronics remained dry. They are made from beautifully hand stitched vinyl complete with all the stainless steel fixing which are polished and precise. The overall quality and attention to detail is second to none.



- WRRP008 Mk1 Winter Grille Cover
- WRRP009 Mk2 on Winter Grille Cover

### Front Splash Guards



Front Corner Splash Guards were essential for those muddy, rough terrain events to keep the headlamps and screen clear. Made from the toughest rubber, backed with thick aluminium plates designed to hold firm in the toughest conditions.

- WRRP001 Rubber, Aluminium Backed Splash Guards Pair

### Rear Mudflaps

These rear mudflaps are made from heavy duty rubber with a BMC Rosette decal. Manufactured to original specifications, a great addition to your Mini.



- WRRP029 Rubber, Rear Mudflaps - Coloured Rosette Decal Pair
- WRRP029 Rubber, Rear Mudflaps - White Rosette Decal Pair







Scan Me



Historic Competition Products

Door Pocket Padding

These carefully upholstered Door Pocket Paddings are hand made and backed with Balsa Wood for its lightweight characteristics. Padding was essential for protecting the crews from hard edges, but weight was to be avoided.



WRRP015B	Pocket Padding	Black
WRRP015R	Pocket Padding	Red

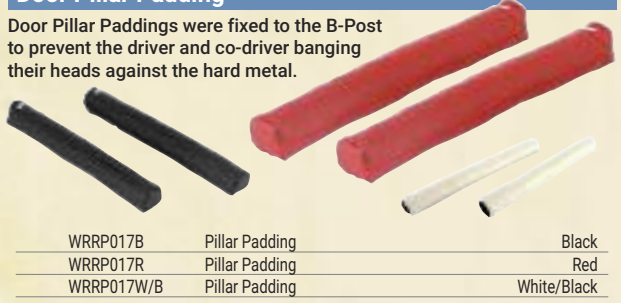
Door Handle Opening Padding



WRRP016B	Handle Padding	Black
WRRP016R	Handle Padding	Red
WRRP016W	Handle Padding	White

Door Pillar Padding

Door Pillar Paddings were fixed to the B-Post to prevent the driver and co-driver banging their heads against the hard metal.



WRRP017B	Pillar Padding	Black
WRRP017R	Pillar Padding	Red
WRRP017W/B	Pillar Padding	White/Black

Dash Route Card Holders



Route Card Holders were fitted on the Works Minis on the top dash rail for easy viewing of the route instructions for the driver. The design was taken straight out of the aircrafts created at Abingdon RAF. They are made from steel and finished with matt black paint.

WRRP014	Dash Rail Card Holder
---------	-----------------------

Screen Deflectors & Demist Panels



Fitted on the top dash rail of Works Minis to concentrate the air from the de-mist vents directly onto the screen for rapid de-misting. Especially essential on wet days, when keeping the screen clear on a Mini is a challenge.

WRRP002L	Rear Screen Stick-On Demist Panel	Mk1
WRRP002T	Thick Rear Screen Stick-On Demist Panel	Mk1
WRRP004	Front Screen Deflector/Demist Panel	Clear
WRRP004S	Half Size Front Screen Deflector/Demist Panel	Clear

Steering Wheel Boss Kit



Mini Sport have manufactured this boss kit to be an exact reproduction of the original used on the works Minis. Made with aircraft grade aluminium and precisely machined.

C-AJJBOS	Moto-Lita Steering Wheel Boss Kit
----------	-----------------------------------

Works Crackle Black Dashboard

The Works Dashboard is as near to original specification as possible, made from steel and coated in crackle black, just as the originals were. These dash pieces are exact to size and will fit the many Works Mini instruments.

AJJ3330	Works Dashboard RHD
AJJ3331	Works Dashboard LHD

Headlamp Washer Kit

Mini headlight washer jet kit as used on the Works Minis. Includes black nozzles and piping to connect into the screen wash system.



WRRP034	Headlamp Washer Kit
---------	---------------------

Navigator Foot Operation Horn Switch

This Works specification, Navigators Foot Operated Horn Button, as fitted on the bulkhead of most Works Minis, is in easy reach of the navigator, which they could operate allowing the driver to concentrate on driving. They are made from Hardwood with a hard wearing aluminium face that is securely screwed to the front to ensure durability.

WRRP010	Horn Switch
---------	-------------

Works Bonnet Strap



The Leather Straps used to ensure the bonnet stayed shut have become synonymous with the classic rally car look although they were not there just for looks. The strong Leather Straps were built for toughness and ensured the bonnet stayed shut no matter what was thrown at them.

AJJ3381	Genuine Leather Bonnet Strap
---------	------------------------------

BMC & Special Tuning Rosettes

BMC and Special Tuning Rosettes were often placed on the front wings of the Works Minis, sometimes accompanied by the rally teams name too. So just in case anyone was in doubt that it was a Works Mini powering past them, all they had to do was look for the British Motor Corporation famous rosettes!



LMG1061	BMC Rosette	Body Transfer
LMG1062	BMC Rosette	Glass Transfer
LMG1063	Special Tuning - Rosette	Body Transfer
LMG1064	Special Tuning	Glass Transfer
LMG1059	Safety Fast	Glass Transfer
LMG1060	Safety Fast	Body Transfer
LMG1050	Special Tuning shield	Sticker
STKMS100	BMC Rosette	Sticker
STKMS102	Special Tuning Rosette	Sticker
STKMS103	Special Tuning Rosette - Yellow	Sticker
STKMS104	Safety Fast Rosette	Sticker

Door Pocket Switch Plates

Door pocket switch plates, fit directly into the MK1 door pockets allowing extra switches to be mounted within reach of both driver and co driver. These parts are direct reproductions of the original works parts and finished in crackled black

WRRP030	Door Pocket Switch Plates - Alloy	Pair
---------	-----------------------------------	------

Fuse Box Holders

Aluminium fuse box holders to original specifications and finished with black crinkle. These are available in three designs, to mount either 2, 3 or 4 Lucas type 6FJ fuse boxes.

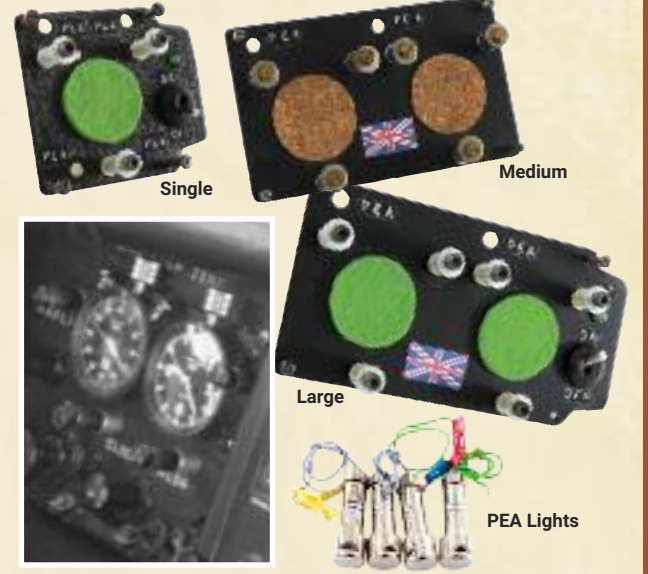
WRRP031	2 Fuse Box Holder - Suit Lucas 6FJ	Black Crinkle
WRRP032	3 Fuse Box Holder - Suit Lucas 6FJ	Black Crinkle
WRRP033	4 Fuse Box Holder - Suit Lucas 6FJ	Black Crinkle



Aluminium Stopwatch Holding Panels

The Classic Works Mini had everything a Rally car needed, complete with all the gadgets that the navigator needed. The Heuer stop watches, set in the dash were essential for the navigator and precision map reading.

These Crackle Black, Aluminium Stopwatch Backing Plates are made to the exact spec as the originals, ready and awaiting the clocks.



WRRP022	Single	Without PEA Lights
WRRP023	Medium Dual	With PEA Lights
WRRP024	Medium Dual	Without PEA Lights
WRRP026	Large Dual	Without PEA Lights
WRRP012	Chrome Dash PEA Light	Each
WRRP012B	Black dash PEA Light	Each

Works Bulkhead Tool Roll

This Tool Roll was attached to the rear bulkhead and was a well used and essential piece of equipment, allowing on the go repairs. Made with black Hardura to withstand heavy usage and hand stitched to ensure strength and quality.



NCMCK720	Bulkhead Tool Roll (Tools not included)
----------	---



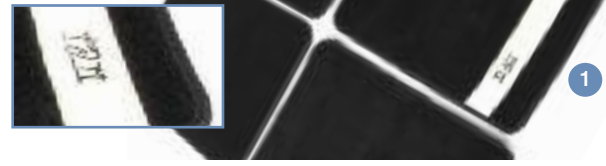


Interior Styling

Interior Styling

Signature Stripe Cooper Luxury Mat Set

Luxury, tailored 4 piece carpet mat set, featuring a white vinyl wipe-clean stripe embroidered with John Cooper signature on front mats. Manufactured in the UK from 900 gram tufted velour with a bound edge and a non slip, waterproof rubber backing.



1 MCPIS.CM-SS Cooper Luxury Carpet Mat Set Signature Stripe

Cooper Luxury Floor Mat Sets

A luxury, tailored 4 piece black carpet mat set embroidered with the Cooper logo and John Cooper signature on front mats, finished off with black binding, black and silver binding or black and red binding. Manufactured in the UK from 900 gram tufted velour with a bound edge and a non slip, waterproof rubber backing.



2 MCPIS.CM-BB Cooper Luxury Carpet Mat Set Black Binding
3 MCPIS.CM-BBS Cooper Luxury Carpet Mat Set Black & Silver Binding
4 MCPIS.CM-BR Cooper Luxury Carpet Mat Set Black & Red Binding

Cooper Super Luxury Mat Set

A Super Luxury, tailored 4 piece black carpet mat set featuring Cooper logo metal badges on both front mats and nu-buck edge binding. This extra strong mat set is manufactured in the UK from 1200 gram deep pile tufted velour with a bound edge and a non slip, waterproof rubber backing.



5 MCPIS.CM-SL Cooper Super Luxury Carpet Mat Set Metal Badge

Paddy Hopkirk Luxury Mat Set



6 PH33.110BR Paddy Hopkirk Luxury Black Mat Set with Black/Red Binding
7 PH33.110BB Paddy Hopkirk Luxury Black Mat Set with Black Binding

Mini Sport Luxury Floor Mat Set

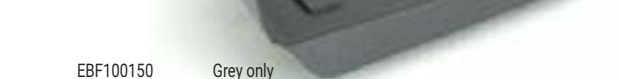
These luxury deep pile tailored 4 piece carpet mat set have been manufactured to the highest standard to fit all Mini saloons from 1959-2001. Both front mats come complete with embroidered Mini Sport Logo and are designed to fit both RHD and LHD vehicles.



8 MSL5002 Mini Sport Luxury Carpet Mat Set Black & Red Binding
MSL5001 Mini Sport Luxury Carpet Mat Set Black Binding

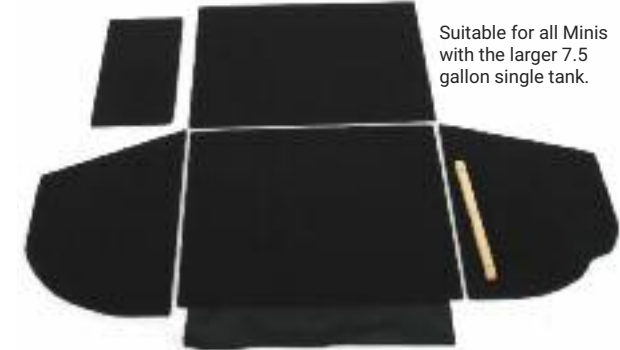
Boot Space Moulded Plastic Loadliner

Designed specifically for the Mini to organise the boot space and protect anything carried in the boot from a dirty spare wheel



EBF100150 Grey only

Black Boot Liner Set



CUSBL.BLK Black Boot Liner



NEWTON Commercial Carpet Sets & Mats also available from Newton Commercial - See Page 146

Sound Insulation



Superior quality sound insulation kit. Made from top quality sound deadening material. Includes under bonnet, full floor front to rear and inside boot area.

1 MOT4001 Mini Saloon - Full Kit
MOT4002 Mini Clubman - Full Kit
MOT4003 Mini Estate - Full Kit
MOT4000 Insulation Felt, Per Metre

Deluxe Carpet Sets



This 9 piece carpet set is a fantastic quality, better than the standard set in that the pile of the carpet is deeper, thicker and more luxurious. It has a superior rubber backing for anti-slip and is bound on the front and rear edges to prevent fraying. Comes complete with two heel mats bound to the carpet.

MOT1000 Black, Mini Estate
MOT1001 Black, Mini Saloon
MOT1002 Red Mini Saloon
MOT1003 Brown Mini Saloon

Standard Carpet Sets



This 9 Piece carpet set is of good quality and wears extremely well. Designed for the Mini that is used on a daily basis where practicality is more important than luxury. Comes complete with two heel mats bound to the carpet.

MOT2001 Black, Mini Saloon
MOT2002 Grey, Mini Saloon
MOT2003 Red, Mini Saloon
MOT2005 Blue, Mini Saloon
MOT2006 Green, Mini Saloon

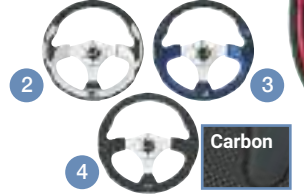
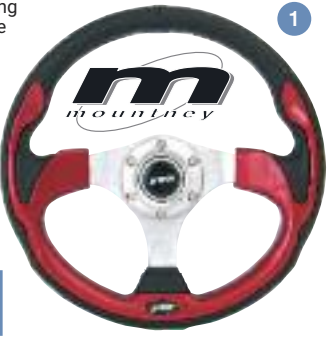




Interior Styling

Mountney Sport Steering Wheels

Mountney 'M' range Sports steering wheels, 320mm diameter, 3 spoke design Black leather with the option of metallic Red, Silver, Blue, Carbon Fibre effect or Burr Walnut effect insets, with silver centre and spokes.



1	M32X3VV6S	Red Inset
2	M32X3VV8S	Silver Inset
3	M32X3VV7S	Blue Inset
4	M32X3VV4S	Carbon Inset
	M32X3VV9S	Burr Walnut Inset

Mountney Classic Steering Wheels

Mountney Classic range steering wheels, finished in a choice of high quality Black Leather or Black Vinyl, with varying sizes. Available in silver or black centre.



8	Black Leather	- Silver/Black, 3 Spoke - 12"/13"/14"
9	Black Vinyl	- Silver/Black, 3 Spoke - 12"/13"/14"
10	Woodrim	- Silver/Black, 3 Spoke - 13.5"

Springalex Steering Wheels

With over 40 years engineering experience, including 30 years manufacturing and supplying car parts, including numerous Aftermarket, global OEM's and Blue chip companies with a range of quality engineered products.



Boss Kits



14	MLLB25	Moto-Lita Boss Kit - Black with Cap - to 1976
	MLLB25H	Moto-Lita Boss Kit - Black with Horn Control - to 1976
	MLLB25HP	Moto-Lita Boss Kit - Polished with Horn Control - To1976
15	MLLB25P	Moto-Lita Boss Kit - Polished with Cap - To1976
16	MLLB45	Moto-Lita Boss Kit - Black with Cap - 1976 on
17	MLLB45P	Moto-Lita Boss Kit - Polished with Cap - 1976 on
18	MLLB1	Moto-Lita Boss Kit - Black with Cap - MK1
19	MLLB1H	Moto-Lita Boss Kit - Black with Horn Control - MK1
20	MLLB1HP	Moto-Lita Boss Kit - Polished with Horn Control - MK1
21	MLLB1P	Moto-Lita Boss Kit - Polished with Cap - MK1
	MLLBILPHUB	Moto-Lita Black plastic Horn Control for Boss Kit
	MLLBILCAP	Moto-Lita Polished Billet Cap for Boss Kit
	MLLBILHUB	Moto-Lita Polished Billet Horn Control for Boss Kit
	KK154X	Fitting Kit for Mountney Sport & M Range Steering Wheels
	MON8	Boss kit all Mini's 59-96 for Mountney Classic
	MON8C	Chrome Boss kit all Mini's 59-96 for Mountney Classic
	MONHPTP1	Polished Horn Push to fit MON8 & MON8C Boss Kits

Mountney 'M' Range Steering Wheels

Mountney 'M' range steering wheels, finished in a choice of high quality Black Leather or Black moulded polyurethane rubber, with varying diameter sizes and 3 spoke.



5	M30M311	Black Leather (300mm)
	M32M311	Black Leather (320mm)
	M34M311	Black Leather (340mm)
	MONM30X3PB	Black Moulded (300mm) Black spokes
6	M30X3PS	Black Moulded (300mm) Silver spokes
	M32M3P	Black Moulded (320mm)
	M34M3P	Black Moulded (340mm)
7	M34X3V3S	Black Alcantra (340mm) 3 spoke deep dish rally style

Snap-Off Steering Wheel Kit

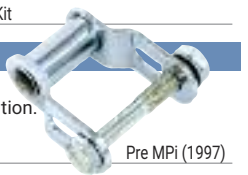
The "Ultimate" security device, no one can drive your car with no steering wheel!! Easy to install, fits between the steering wheel and the hub kit to allow easy removal of the steering wheel when the car is parked.



Does not fit Moto Lita or Mountney Classic wheels. MONML01 Snap-Off Steering Wheel Kit

Steering Column Adjuster

This Steering Column Adjuster offers extra adjustment, for that comfortable driving position.



MONMCA-1 Steering Column Adjuster Pre MPI (1997)

11	STW320BCRS	320mm Black Vinyl - Red Stitch, Black Centre
	STWS340WH	340mm Wood with Holes
	STW34RALSA	340mm Rally Alcantara
	STWS350BSCF	350mm Black Vinyl, Silver Centre Flat Bottom
	STWS350BSC	Sport 350mm Black Vinyl, Silver Centre
	STW33SPVBR	13" Black - Red Stitch, Polished Spokes Semi Dished
12	STW33SPVB	13" Black Vinyl - Polished Spokes Semi Dished
	STW33SPLB	13" Black Leather, Polished 3 Spoke Semi Dished
13	STW33WSR	13" Woodrim with Rivets Semi Dished
	STW43SPVBR	14" Black Vinyl - Red Stitch, Polished 3 Spoke Semi Dished
	STW43SPVB	14" Black Vinyl 3 Spoke, Polished Spokes Semi Dished
	STW32WSRSL	13" Woodrim with Rivets & Slotted Spokes

14	MLLB25	Moto-Lita Boss Kit - Black with Cap - to 1976
	MLLB25H	Moto-Lita Boss Kit - Black with Horn Control - to 1976
	MLLB25HP	Moto-Lita Boss Kit - Polished with Horn Control - To1976
15	MLLB25P	Moto-Lita Boss Kit - Polished with Cap - To1976
16	MLLB45	Moto-Lita Boss Kit - Black with Cap - 1976 on
17	MLLB45P	Moto-Lita Boss Kit - Polished with Cap - 1976 on
18	MLLB1	Moto-Lita Boss Kit - Black with Cap - MK1
19	MLLB1H	Moto-Lita Boss Kit - Black with Horn Control - MK1
20	MLLB1HP	Moto-Lita Boss Kit - Polished with Horn Control - MK1
21	MLLB1P	Moto-Lita Boss Kit - Polished with Cap - MK1
	MLLBILPHUB	Moto-Lita Black plastic Horn Control for Boss Kit
	MLLBILCAP	Moto-Lita Polished Billet Cap for Boss Kit
	MLLBILHUB	Moto-Lita Polished Billet Horn Control for Boss Kit
	KK154X	Fitting Kit for Mountney Sport & M Range Steering Wheels
	MON8	Boss kit all Mini's 59-96 for Mountney Classic
	MON8C	Chrome Boss kit all Mini's 59-96 for Mountney Classic
	MONHPTP1	Polished Horn Push to fit MON8 & MON8C Boss Kits



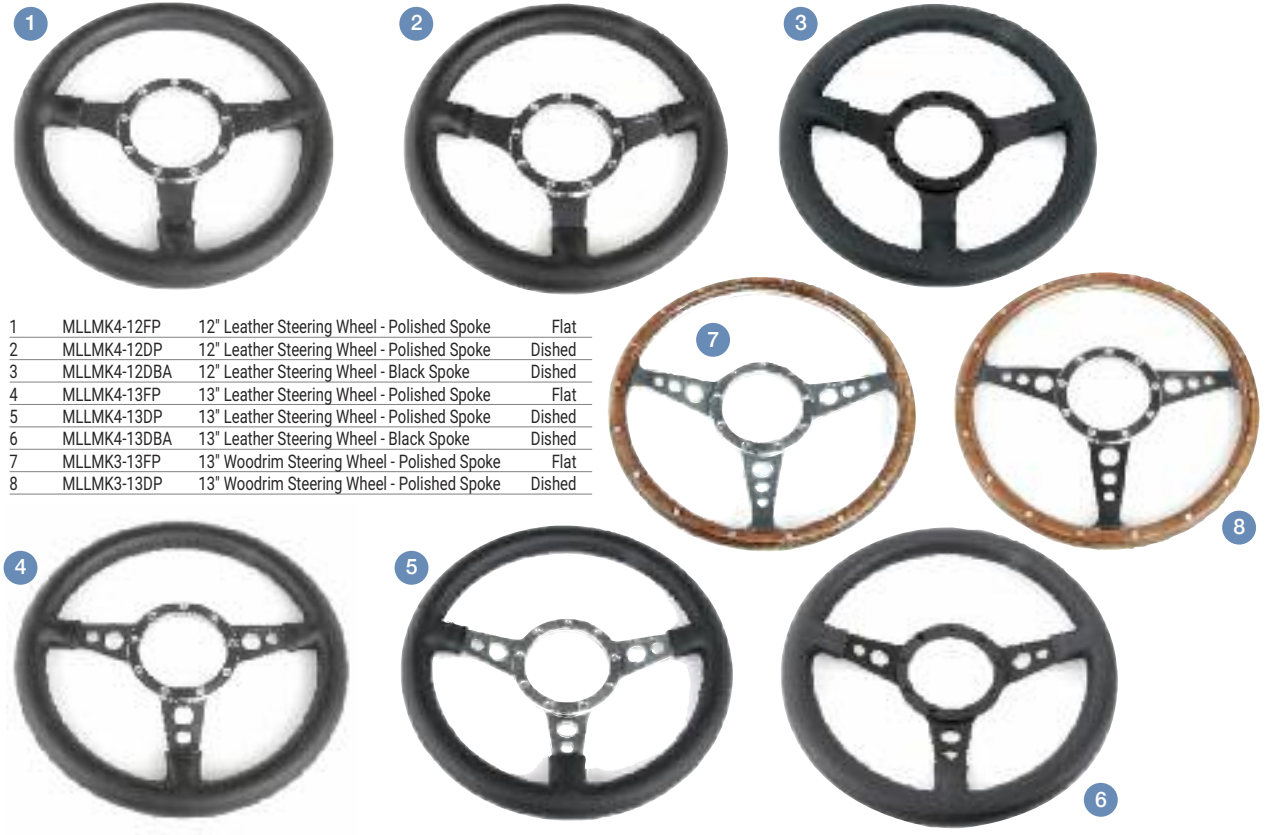
Interior Styling

# Moto-Lita

The Moto-Lita Thruxton workshop has been home to a close-knit family of craftsmen since the late 50's. The quality of their products they make lead them to being original equipment suppliers to the world's most highly regarded car makers, as well as making Moto-Lita the wheel of choice for thousands of enthusiasts.

Because they're so well known and respected in the UK, many people are surprised to learn that Moto-Lita steering wheels have been exported to almost every country in the developed world since the '60s. Yet, despite the great success and massive market, they remain loyal to the simple founding objective: we make high-quality steering wheels, by hand.

12" & 13" Moto-Lita Steering Wheels



1	MLLMK4-12FP	12" Leather Steering Wheel - Polished Spoke	Flat
2	MLLMK4-12DP	12" Leather Steering Wheel - Polished Spoke	Dished
3	MLLMK4-12DBA	12" Leather Steering Wheel - Black Spoke	Dished
4	MLLMK4-13FP	13" Leather Steering Wheel - Polished Spoke	Flat
5	MLLMK4-13DP	13" Leather Steering Wheel - Polished Spoke	Dished
6	MLLMK4-13DBA	13" Leather Steering Wheel - Black Spoke	Dished
7	MLLMK3-13FP	13" Woodrim Steering Wheel - Polished Spoke	Flat
8	MLLMK3-13DP	13" Woodrim Steering Wheel - Polished Spoke	Dished

Paddy Hopkirk Steering Wheels



9	PH33.134	Paddy Hopkirk Steering Wheel Kit - Red Stitching No Horn
	PH33.135	Paddy Hopkirk Steering Wheel Kit - Red Stitching With Horn
10	PH33.132	Paddy Hopkirk Steering Wheel Kit - Green Stitching No Horn
	PH33.133	Paddy Hopkirk Steering Wheel Kit - Green Stitching With Horn

Cooper Steering Wheels



11	MCPIS.SWW-P	Cooper 13in. Wood Steering Wheel inc Polished Boss
	MCPIS.SWW-PH	Cooper 13in. Wood Steering Wheel - Polished Boss Horn Push
	MCPIS.SWW-PHMK1	Cooper 13" Wood Steering Wheel - Mk1 Polished Boss Horn Push
12	MCPIS.SWL-P	Cooper 13" Leather Steering Wheel - Polished Boss
	MCPIS.SWL-PH	Cooper 13" Leather Steering Wheel- Polished Boss Horn Push
	MCPIS.SWL-PHMK1	Cooper 13" Leather Steering Wheel - Mk1 Polished Boss Horn Push





Centre Consoles

Custom Consoles

- Improves air distribution through genuine Mini air vents
- Allows you to direct fresh or heated air where you want it
- Standard or Radio housing fascias
- Conceal your heater
- Huge Storage Area



Available for RHD or LHD, automatic or manual. Please state model and year when ordering.

Colours available:

Bright Red, Red, Burgundy, Powder Blue, Yellow, Light Blue, Heavy Blue, Light Green, Heavy Green, Dark Green, Biscuit, Magnolia, Beige, Brown, Swirled Aluminium, Real Burr Walnut, Black and Carbon Fibre.



CUS5994L	Standard - LHD	1959-1994
CUS5994R	Standard - RHD	1959-1994
CUSC5994LA	Inc Airvents - LHD	1959-1994
CUSC5994RA	Inc Airvents - RHD	1959-1994
CUSC5994LR	Inc Radio Housing - LHD	1959-1994
CUSC5994RR	Inc Radio Housing - RHD	1959-1994
CUSC5994LAR	Inc Airvents & Radio Housing - LHD	1959-1994
CUSC5994RAR	Inc Airvents & Radio Housing - RHD	1959-1994
CUSC9401L	Standard - LHD	1994-2001
CUSC9401R	Standard - RHD	1994-2001
CUSC9401LA	Inc Airvents - LHD	1994-2001
CUSC9401RA	Inc Airvents - RHD	1994-2001
CUSC9401LR	Inc Radio Housing - LHD	1994-2001
CUSC9401RR	Inc Radio Housing - RHD	1994-2001
CUSC9401LAR	Inc Airvents & Radio Housing - LHD	1994-2001
CUSC9401RAR	Inc Airvents & Radio Housing - RHD	1994-2001

Centre Speedo Cowl



1	24A2702	Oval 3 Clock Centre Speedo Cowl
2	14A9907	Chrome Trim for Oval Speedo Cowl
3	14A9796	Trim Clips for Oval Speedo Cowl

Centre Armrest

Custom Consoles

Available for all models of Mini including the latest classic mini with airbag. No fixing required, the unit just slots between the front seats. A great storage area over the handbrake for items like sunglasses or your phone.

CUSA.BLK	Black Vinyl
CUSA.BRD	Bright Red Vinyl
CUSA.BRG	British Racing Green Vinyl
CUSA.BEI	Beige Vinyl
CUSA.DGR	Dark Grey Vinyl
CUSA.PGR	Porcelain Green Vinyl
CUSA.RBL	Royal Blue Vinyl
CUSA.WAL	Full Walnut
CUSA.BRW	Brown Vinyl
CUSA.MRD	Mulberry Red Vinyl
CUSA.SIL	Silver Vinyl



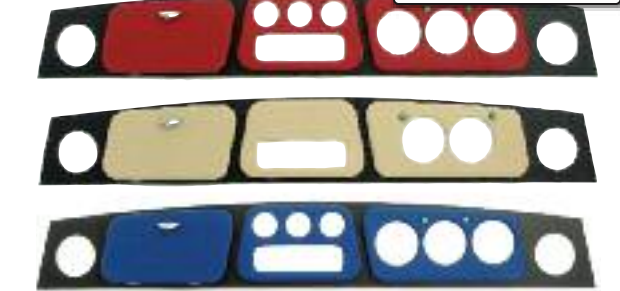
Speaker Boards

Suits all Mini models, to fit 51/4", 61/2", 6"x 9" speakers or blank to cut your own. Finished plain MDF or covered in the vinyl colour of your choice.

CUSSPB.0.BLK	Speaker Board - No Holes	Black
CUSSPB.0.BEI	Speaker Board - No Holes	Beige
CUSSPB.5.25.BLK	Speaker Board - 5.25" Round Holes	Black
CUSSPB.5.25.CRM	Speaker Board - 5.25" Round Holes	Cream
CUSSPB.6.5.BLK	Speaker Board - 6.5" Round Holes	Black
CUSSPB.6X9.BLK	Speaker Board - 6"x9" Oval Holes	Black

Dashboards

Custom Consoles



CUSDCENTRE.BLK	Centre Clock Classic Dashboard	Black
CUSDR2.SBE	2 Clock Dashboard	Beige
CUSD2.3.BSL	2 Clock + 3 Centre Clock Dashboard	Black/silver
CUSD2.3.BRD	2 Clock + 3 Centre Clock Dashboard	Red
CUSD3.3.RBL	3 Clock + 3 Centre Clock Dashboard	Royal Blue
CUSD3.3.SBE	3 Clock + 3 Centre Clock Dashboard	Beige
CUSD3.3.SIL	3 Clock + 3 Centre Clock Dashboard	Silver
CUSD3.3.CRD	3 Clock + 3 Centre Clock Dashboard	Cooper Red

Works Dashboards



These dash pieces are exact to size and will fit the many Works Mini instruments.

The Works Dashboard is as near to original specification as possible, made from steel and coated in crackle black, just as the originals.

1	AJJ3330	Works Dashboard	RHD
	AJJ3331	Works Dashboard	LHD

Burr Walnut Dashboards

1	PMY450	2 Clock	
	PMY451	2 Clock	LHD
	PMY452	2 Clock Chrome Trims	
	PMY453	2 Clock Chrome Trims	LHD
	PMY454	2 Clock	+ 3 Centre Gauge Holes
2	PMY455	2 Clock	+ 3 Centre Gauge Holes
	PMY456	2 Clock Chrome Trims	+ 3 Centre Gauge Holes
	PMY457	2 Clock Chrome Trims	+ 3 Centre Gauge Holes
	PMY458	3 Clocks Chrome Trims	+ 1 Centre Gauge Hole
	PMY459	3 Clocks	+ 1 Centre Gauge Hole
	PMY460	3 Clocks - Chrome Trims	+ 1 Centre Gauge Hole
	PMY461	3 Clock Centre Dash - 3 Piece	Elf/ Hornet
	PMY466	3 Clock	
	PMY467	3 Clock	LHD
3	PMY468	3 Clock Chrome Trims	
	PMY469	3 Clock Chrome Trims	LHD
4	PMY470	3 Clock	+ 3 Centre Gauge Holes
	PMY4		
	PMY471	3 Clock	+ 1 Centre Gauge Holes
	PMY471A	3 Clock	+ 3 Centre Gauge Holes
	PMY472	3 Clock Chrome Trims	+ 3 Centre Gauge Holes
	PMY473	3 Clock Chrome Trims	+ 3 Centre Gauge Holes
5	PMY474	Classic - 1 Piece	
6	PMY475	Rover 3 Clock Centre	
	PMY476	Rover 3 Clock Centre Chrome Trims	

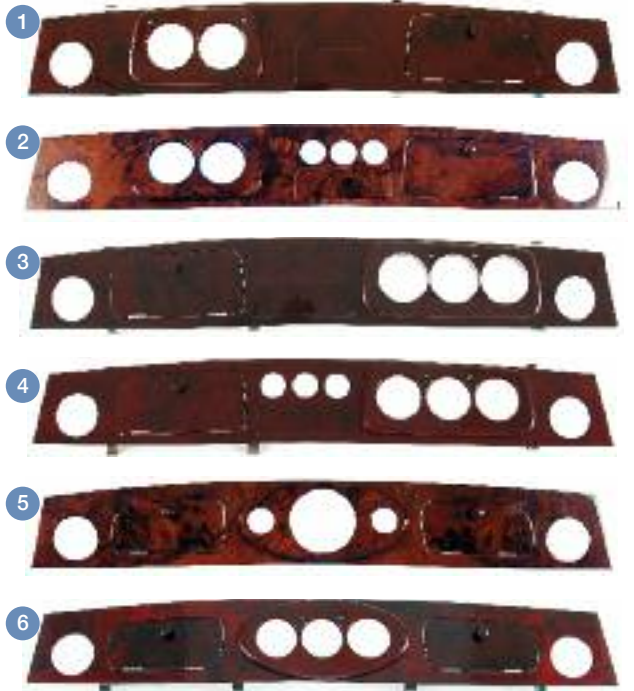
Dash Rail

ALA6621	Black - Bottom Rail	
14A8009	Chrome Trim for Lower Dash Rail	
14A8010	Clip for Lower Dash Rail Trim	
SMB163	Dashboard Ashtray Stainless Surround - Glue On	
SMB42	Stainless Steel Screen Vent Finishers	Pair
MCR42	Standard Painted Vent Surround	Each
SMB106	Air Vent Blanking Plates	
MCR40	Dash Vinyl Black - Top & pillars	
MCR41	Dash Vinyl Black - Lower	
NCMDT3028	Dash surround vinyl material - Black	

Charcoal Dashboards



PMY504	3 Clock	+ 1 Centre Gauge Hole	
PMY504C	3 Clock Chrome Trims	+ 1 Centre Gauge Hole	
PMY505	3 Clock	+ 1 Centre Gauge Hole	
PMY505A	2 Clock Chrome Trims	+ 1 Centre Gauge Hole	
PMY505C	3 Clock Chrome Trims	+ 1 Centre Gauge Hole	
7	PMY494	2 Clock	
	PMY461C	Classic 3 Piece	Elf/ Hornet
	PMY495	2 Clock + 1 Centre Piece Gauge Hole	
	PMY496	2 Clock	LHD
	PMY497	2 Clock Chrome Trims	
	PMY498	2 Clock Chrome Trims	LHD
	PMY499	2 Clock	+ 3 Centre Gauge Holes
	PMY500	2 Clock	+ 3 Centre Gauge Holes
	PMY501	2 Clock Chrome Trims	+ 3 Centre Gauge Holes
	PMY502	2 Clock Chrome Trims	+ 3 Centre Gauge Holes
	PMY503	3 Clock	LHD
	PMY507	3 Clock	LHD
	PMY508	3 Clock Chrome Trims	
	PMY509	3 Clock Chrome Trims	LHD
	PMY510	3 Clock	+ 3 Centre Gauge Holes
	PMY511	3 Clock	+ 3 Centre Gauge Holes
	PMY512	3 Clock Chrome Trims	+ 3 Centre Gauge Holes
	PMY513	3 Clock Chrome Trims	+ 3 Centre Gauge Holes
8	PMY514	Classic - 1 Piece	LHD
9	PMY515	Rover 3 Clock Centre	



Alloy Dashboards

10	PMY525	3 Clock - Walnut Surround	+ 3 Holes
	PMY528	3 Clock - Charcoal Surround	
	PMY526	3 Clock - Walnut Surround Chrome	+ 3 Holes
	PMY527	3 Clock - Walnut Surround Chrome	+ 3 Holes
	PMY529	3 Clock - Charcoal Surround Chrome	LHD
	PMY530	2 Clock - Charcoal Surround	LHD
	PMY530C	2 Clock - Charcoal Surround Chrome	LHD
	PMY530CRHD	2 Clock - Charcoal Surround Chrome	

Carbon Fibre & GRP Dashboards



RT1353	Prepregnated Carbon Fibre Dashboard	
11	RT1354	Wet lay Carbon Fibre Dashboard
	RT1355	Black GRP Dashboard
12	RT1355BLU	Blue GRP Dashboard
	RT1355W	White GRP Dashboard
13	RT1375	Black Flock GRP Dashboard

Interior Styling

Interior Styling





Interior Styling

Interior Styling

Burr Walnut & Charcoal Door Handles



1	PMY478	Burr, Opening Handle	Pair
2	PMY477	Burr, Door Pulls	Pair
3	PMY479	Burr, Winder Handle	Pair
4	PMY485	Burr, Switch panel - 5 Hole	
5	PMY519	Charcoal, Opening Handle	Pair
6	PMY520	Charcoal, Door Pulls	Pair
7	PMY518	Charcoal, Winder Handle	Pair
8	PMY483	Burr, Handbrake Grip	
	PMY521	Charcoal Gearknob	
	PMY522C	Charcoal, Handbrake grip	
	PMY484	Burr, Switch panel - 4 hole	
	PMY487	Burr Switch Panel 5+1 Holes MPI/SPI	
	PMY488	Burr Switch Panel 4+1 Holes MPI/SPI	
	PMY480	Burr, Gearknob	
	PMY517	Charcoal, Gearknob	
	PMY482	Burr Door Cappings	Set of 4
	PMY516	Charcoal Door Cappings	Set of 4

Paddy Hopkirk Interior Fixtures



9	PH33.080	Silver Paddy Hopkirk 8 Piece Alloy Door Handle Set	
	PH33.082	Silver Paddy Hopkirk Alloy Door Openers	Pair
	PH33.083	Silver Paddy Hopkirk Alloy Window Winders and Bezels	Pair
	PH33.081	Silver Paddy Hopkirk Alloy Door Pulls	Pair
	PH33.080.BLK	Black/Silver Paddy Hopkirk 8 Piece Alloy Door Handle Set	
	PH33.082.BLK	Black/Silver Paddy Hopkirk Alloy Door Openers	Pair
	PH33.083.BLK	Black/Silver Paddy Hopkirk Alloy Window Winders and Bezels	Pair
	PH33.081.BLK	Black/Silver Paddy Hopkirk Alloy Door Pulls	Pair
	PH33.045.BLK	Paddy Hopkirk Black Gearknob with Monte Carlo Emblem	
	PH33.045	Paddy Hopkirk Alloy Gearknob with Monte Carlo Emblem	



Polished Door Handles



17 SPDSP225M 10 Piece Set (as shown)

Cooper Interior Fixtures



	MCPIS.DFK	Cooper Alloy Door Furniture Kit (Black or Silver)	
18	MCPIS.DP	Cooper Alloy Door Pull Handles (Black or Silver)	Pair
19	MCPIS.WW	Cooper Alloy Window Winder Handles (Black or Silver)	Pair
20	MCPIS.DO	Cooper Alloy Door Opener Handles (Black or Silver)	Pair
21	MCPIS.DL	Cooper Alloy Door Lock Covers (Black or Silver)	Pair
22	MCPIS.GK-S	Silver Cooper Alloy Billet Gear Knob	
23	MCPXS.DSE	Cooper Stainless Steel Door Sill Edgings	Pair

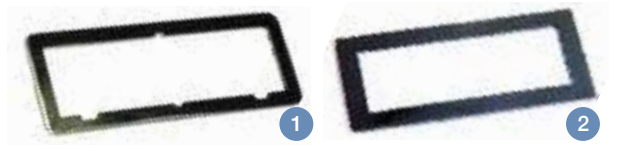


	MCPIS.DFK18	2018 Cooper Alloy Door Furniture Kit	
27	MCPIS.DP18	2018 Cooper Alloy Door Pull Handles (Black or Silver)	Pair
28	MCPIS.WW18	2018 Cooper Alloy Window Winder Handles (Black or Silver)	Pair
29	MCPIS.DO18	2018 Cooper Alloy Door Opener Handles (Black or Silver)	Pair
30	MCPIS.GK18	2018 Cooper Alloy Gear Knob (Black or Silver)	
31	MCPIS.HB18-S	Silver Alloy Handbrake Grip	
32	MCPIS.STK18-EB	Black 2018 Cooper Seat Tilt Knobs Engraved Logo	Pair
	MCPIS.STK18-BB	Black 2018 Cooper Seat Tilt Knobs Badged Logo	Pair
	MCPIS.STK18-ES	Silver 2018 Cooper Seat Tilt Knobs Engraved Logo	Pair
33	MCPIS.STK18-BS	Silver 2018 Cooper Seat Tilt Knobs Badged Logo	Pair



- Set Includes:**
- 2 x Window Winders
  - 2 x Window Winder Bosses
  - 2 x Door Openers
  - 2 x Door Handles
  - 2 x Door Lock Surround Plates

Interior Surrounds



1	SMB163	Dashboard Ashtray Surround	Glue on
2	SMB181	Interior Light Surround	

Fuelling



3	SMB22	Air Filter Buttons	SPI & MPI
4	SMB23	Air Filter Ring Finisher	SPI & MPI
	SMB48	Fuel Pump Blanking Plate	
	SMB121	Mk1 Throttle Cable Bracket	
	SMB160	Injection Fuel Filter Bracket	
	SMB109	Fuel Pump Blanking Plate	Plated
	SMB161	Injection Fuel Filter Bracket	Powder Coated Mild Steel
5	SMB178	MPI Air Filter Bracket	
6	SMB194	MPI Fuel Cut Off Top Cover	
7	SMBK037	Fuel Pump Blank Fitting Kit	
8	SMBFK006	MPI/SPI Air Filter Screws	

Chassis & Engine Plates



9	LMG1025	Austin Chassis	
10	LMG1021	Morris Chassis	
11	LMG1022	Austin/Morris Chassis	
12	LMG1026	Austin rocker Cover Plate	
13	LMG1034	Weslake Patents Plate	
14	LMG1018	Commission	
15	LMG1053	Engine Number Plate	
	MMP3003	Morris Rocker Cover Plate	
	LMG1055S	Stamped Chassis Plate + Paint and Trim Details	
	LMG1056S	Stamped Rover Chassis Plate + 2 Lines	
	LMG1057S	Stamped Rover Chassis Plate + 4 Lines	

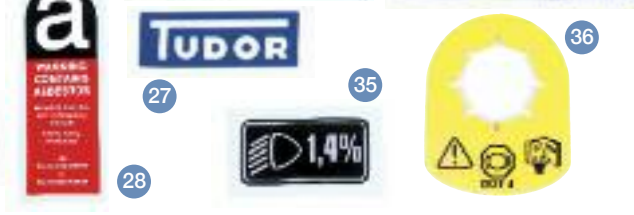
Reversed Stamped Plates - (Copy of log book required when ordering)

	LMG1018S	Commission	
	LMG1054S	Chassis	
	LMG1053S	Engine Plate and Rivets	

Engine Bay Stickers



16	SMB29	MPI Coolant Tank Safety Instruction Tag	
	SMB30	Brake Reservoir Tag Asbestos, Warning Label, Headlight Aim Label	
	SMB32	Handbook Warning Label - Self Adhesive	
17	SMB46	MPI Coolant Tank Tag Yellow	
18	SMB50	Radiator Warning Label - Self Adhesive	
19	SMB58	MPI Alternator and ECU Stickers - (pkt 2)	
	SMB63	Mini Cooper Rocker Cover Sticker	
	SMB142	Rover Service Sticker	
	SMB144	Do Not Drain Sticker	



20	LMG1065	Lucas Patent	
21	LMG1032	Austin Rocker Cover	
22	LMG1007	Battery Disconnect	
23	LMG1005	Negative Earth	
24	MML3002	Morris Rocker Cover	
25	LMG1017	British Leyland ST Motif	
26	LMG1016	Weslake Patents	
27	LMG1051	Tudor	
28	SMB205	Sticker Asbestos	
29	LMG1013	Unipart Products	
30	LMG1044	Cooper Air Filter (Yellow)	
31	LMG1015	Unipart Air Filter	
32	LMG1028	Smiths Heater	
33	LMG1014	Cooper Air Filter (blue)	
34	LMG1030	Cooper Service/Cleaning	
	LMG1065	Lucas Wiring	
	SMB141	Alarm Protected Sticker	
	SMB196	Coolant Tank Tag Cooper 500	
35	SMB204	Sticker Headlight Aim	
36	SMB203	Dot 4 Tag Yellow Only	
	LMG1012	Leyland Motif Sticker	





Smiths Gauges



Smiths Motor Accessories business was one of the a pioneering companies that contributed to the development of the UK Automotive Industry.



	Face	Bezel					
GD130164-B078	Oil/Water Pressure Dual Gauge	Black	Black	BT2240-00C	Water Temperature, Electric	Black	Chrome
GD130164-C078	Oil/Water Pressure Dual Gauge	Black	Chrome	BV2220-04C	Voltmeter	Magnolia	Chrome
1 GD130165-C078	Oil/Water Pressure Dual Gauge	Magnolia	Chrome	BV2220-00B	Voltmeter	Black	Black
AM16401-05C	Ammeter 60/60	Magnolia	Chrome	5 BV2220-00C	Voltmeter	Black	Chrome
2 AM16401-03C	Ammeter 60/60	Black	Chrome	CA1100-01B	12 Hour Clock	Black	Black
AM16401-03B	Ammeter 60/60	Black	Black	CA1100-01C	12 Hour Clock	Black	Chrome
3 BF2242-00B	Fuel	Black	Black	6 CA1100-03C	12 Hour Clock	Magnolia	Chrome
4 BF2242-00C	Fuel, Electric	Black	Chrome	GD130166-C078	Dual Oil Pressure/ Water Temp.	Black	Chrome
BF2242-02C	Fuel, Electric	Magnolia	Chrome	GD130166-B078	Dual Oil Pressure/ Water Temp.	Black	Black
BF6108-00B	Fuel, Speedo Type	Black	Black	PG1310-01C	Oil Pressure, Mechanical	Magnolia	Chrome
BF6108-04	Fuel Gauge, Speedo Type	Magnolia	Chrome	PG1310-00B	Oil Pressure, Mechanical	Black	Black
BP2404-01C	Oil Pressure, Electric	Magnolia	Chrome	7 PG1310-00C	Oil Pressure, Mechanical (Bar)	Black	Chrome
BP2404-00B	Oil Pressure, Electric	Black	Black	PL2310-00B	Oil Pressure, Mechanical	Black	Black
BP2404-00C	Oil Pressure, Electric	Black	Chrome	PL2310-05	Oil Pressure, Mechanical	Black	Chrome
BT2204-31	Water Temperature	Magnolia	Black	PL2310-05-M	Oil Pressure, Mechanical	Magnolia	Chrome
BT2204-11B	Water Temperature	Black	Chrome	PL2238-00C	Oil Pressure, Mechanical	Black	Chrome
BT2240-05C	Oil Temperature, Electric	Magnolia	Chrome	8 BT2240-01C	Oil Temp, Electric	Black	Black
BT2240-04B	Water Temperature, Electric 50-90-140	Black	Chrome	TG131001-C078	Water temperature 78° cap.	Black	Black
BT2240-04C	Water Temperature, Electric	Magnolia	Chrome	9 TG131002-C078	Water temperature 78° cap.	Magnolia	Chrome
BT2240-00B	Water Temperature, Electric	Black	Black	TG131101-C078	Oil temperature 78° cap.	Black	Black
				TG131102-C078M	Oil temperature 78° cap.	Magnolia	Chrome

Gauge Sender & Accessories



10	SMIPT1810-1-10	Smiths Oil Pressure Sender Unit
11	LMAAC16	T Piece Pipe Adaptor - 1/8BSP to 1/8NPT
12	LMA008/FS	Pipe Adaptor - 5/8UNF to 5/8 UNF flat
13	LMA012	Oil Pipe Adaptor - 1/8BSP cone to 1/8NPT
14	LMA003/6	Oil Pressure Pipe 6ft
	LMA003/4	Oil Pressure Pipe 4ft
	LMA007	1/8 NPT(M)-1/8 BSP (M) Adaptor
15	SMITT3005-8N	Smiths Oil Temperature Sender Unit
16	GPS133	Oil Pressure Switch (7-10psi) Standard upto '96
17	THIEWS/1C	Oil Pressure Switch (20psi) Uprated upto '96
18	GPS135	Oil Pressure Switch - MPI Standard '97-01
	SMI40-745-896-12SPR	Smiths Gauge Bulb Holder
	SMI447459210SPR	Bulb - 12v 2w
19	BR1307-00NEG	Voltage Regulator - Negative Earth
	BR1307-00POS	Voltage Regulator - Positive Earth
	C-MAD004	Magnetic Sump Plug with Oil Temperature Take Off
	KLPM4401	Oil Temperature Sender Sandwich Plate Kit

Smiths Speedos

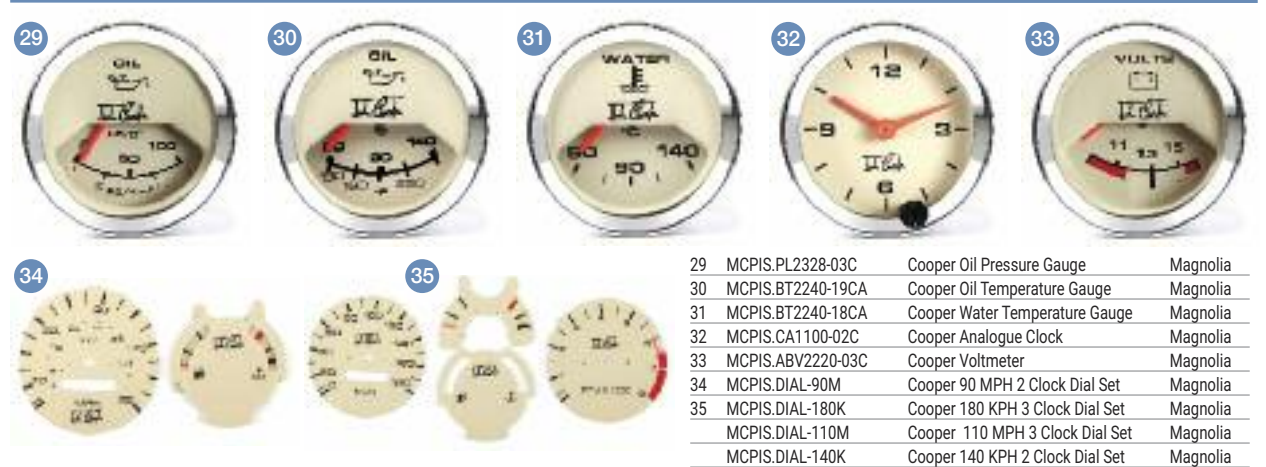


20	SMISN4421-00SAB	90mph	Black	Chrome
	SN4421-01SAB	140kph	Black	Chrome
	SN4421-32B	130mph	Black	Chrome
21	SN4421-33B	200kph	Black	Chrome
	SN4421-33W	200kph	White	Chrome
	SN4421-61	140kph	Magnolia	Chrome
	SN4421-62	130mph	Magnolia	Chrome
22	SN4421-63M	200kph	Magnolia	Chrome
	SN4421-70	90mph	Magnolia	Chrome

Smiths Rev Counters

	RVC1004-02CB	80mm 10,000rpm	Magnolia	Chrome
	RVC1006-00CA	80mm 8,000rpm	Black	Chrome
	RVC1490-00B	80mm 7,000rpm	Black	Black
	RVC1490-00C	80mm 7,000rpm	Black	Chrome
	RVC2490-00BB	100mm 7,000rpm	Black	Black
	RVC2490-00CB	100mm 7,000rpm	Black	Chrome
	RVC1004-00CA	80mm 0-10,000rpm	Black	Chrome
23	RVC2490-01	100mm 0-7,000rpm	Magnolia	Chrome

John Cooper Gauges



29	MCPIS.PL2328-03C	Cooper Oil Pressure Gauge	Magnolia
30	MCPIS.BT2240-19CA	Cooper Oil Temperature Gauge	Magnolia
31	MCPIS.BT2240-18CA	Cooper Water Temperature Gauge	Magnolia
32	MCPIS.CA1100-02C	Cooper Analogue Clock	Magnolia
33	MCPIS.ABV2220-03C	Cooper Voltmeter	Magnolia
34	MCPIS.DIAL-90M	Cooper 90 MPH 2 Clock Dial Set	Magnolia
35	MCPIS.DIAL-180K	Cooper 180 KPH 3 Clock Dial Set	Magnolia
	MCPIS.DIAL-110M	Cooper 110 MPH 3 Clock Dial Set	Magnolia
	MCPIS.DIAL-140K	Cooper 140 KPH 2 Clock Dial Set	Magnolia



Gauges

Gauges





Exterior Styling

Exterior Styling

Body Fixings & Aperture Components



1	SMB44	Bonnet Stay - Bent Type	Fits most minis
2	SMB45	Bonnet Stay - Straight Type	Fits most minis
3	SMB03	Bonnet Catch	Saloon
4	SMB36	Bonnet Catch with Fittings	Clubman
5	SMB126	Bonnet Catch with Fittings	Powder Coated Clubman
6	SMB13	Bonnet Slam Catch Internal	
7	SMB14	Bonnet Slam Catch External	
8	SMB08	Boot Latch Cover	



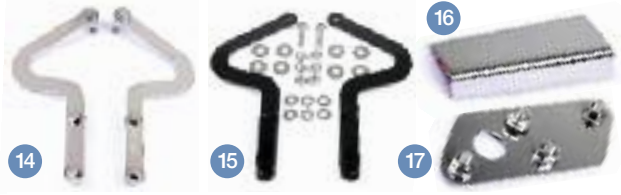
6	SMB16	Door Stiker Plates	
7	SMB17SS	Door Shims	Mild Steel
8	SMB17	Door Shims	Both Doors
9	SMB09	Door Mounting Kit	Pair
10	SMB33	Door Stay	Set of 4 - Plated
11	SMB159	Door Hinge Plates	



8	SMBFK007	Stainless Nuts & Washers both Bumpers	Pair
9	SMB37	Grille Buttons	Suitable for rope only
10	SMB170	Towing Eye	Set of 4
11	SMB122	Overider Plates	
12	SMB125	Rover Cabriolet Side Skirt Brackets (6)	



11	SMB66	Polished Alloy Seat Pulls	Pair
12	SMB127	Seat Stay Brackets	Pair
13	SMB06	Bulkhead Blanking Plate	
14	SMB106	Air Vent Blanking Plates	Mild Steel
15	SMB42	Screen Vent Finishers	Pair



14	SMB173	Door Latch Cover Plates	
15	SMBFK013	Hinge to Door Mounting Kit	
16	SMBFK014	Door Lock Mounting Kit	
17	SMB182	Bonnet Hinges	Stainless
18	SMB182/1	Bonnet Hinges	Powder Coated
19	SMB189	Bonnet Slam Catch Plate	
20	SMB06/1	Bulkhead Blanking Plate	1 Hole
21	SMB06/2	Bulkhead Blanking Plate	2 Hole



18	SMB193	MPI Wing Bonnet Plate	
19	SMB124	Seat Adjusting Brackets	
20	SMB195	Standard Seat Brackets (1 seat)	Powder Coated
21	SMB195/1	Standard Seat Brackets (2 seats)	Powder Coated
22	SMB195/2	Seat Brackets with Extension (1 seat)	Powder Coated
23	SMB195/3	Seat Brackets with Extension (2 seats)	Powder Coated
24	SMB191	Standard Seat Brackets (2 seats)	Stainless
25	SMB191/1	Seat Brackets with Extension (2 seats)	Stainless
26	SMBFK045	Bonnet Hinge Fitting Kit	
27	SMBFK009	Boot Lid Fitting Kit	
28	SMBFK032	Bumper Fitting Kit	Metric
29	SMBFK005	Seat Bracket Fitting Kit	
30	SMBFK002	Seat Loop Fitting Kit	
31	SMB197	Door Step Cover Plates	
32	SMBFK052	Door Striker Kit	

Brake Components



21	SMB01	Brake Reservoir Cover	
22	SMB24	Brake or Clutch Cap Covers	
23	SMB61	Master Cylinder Base Plate - Early Type	
24	SMB192	Master Cylinder Blanking Plate	
25	SMB24	Brake or Clutch Master Cylinder Cap Tops (Cover)	
26	SMB62	Master Cylinder Base Plate - Sevo Type	
27	SMBFK023	Rear Back Plate to Radius Arm Fitting Kit	
28	SMBFK024	Rear Drum Long Screws (2)	
29	SMBFK025	Rear Drum Short Screws (2)	

Clutch Components



27	SMB15	Verto Clutch Slave Cylinder Bracket	
28	SMB175	Straight Clutch Housing Breather	
29	SMB174	Angled Clutch Housing Breather	
30	SMB79	Clutch Housing Inspection Cover	
31	SMBFK011	Clutch Bell Housing Fitting Kit	
32	SMBFK012	Clutch Bracket Fitting Kit	
33	SMBFK054	Clutch Arm Adjuster Bolt	
34	SMBFK055	Clutch Inspection Kit	
35	SMBFK053	Slave Cylinder 'A' Series Kit	

Cooling System Components



1	SMB05	MPI Radiator Top Cover	
2	SMB10	MPI Radiator Mounting Bracket	
3	SMB25	MPI Coolant Tank Cap Cover	
4	SMB47	Heater Take Off - suit 5/8 hose	
5	SMB80	SPI/Late Carb Model Top Radiator Bracket	
6	SMB119	Heater Valve Blanking Plate	
7	SMB164	998 Top Radiator Bracket	
8	SMB171	MPI Coolant Tank Bracket	
9	SMB184	MPI Coolant Tank Top Cover	
10	SMBFK034	Cooling Fan Fitting Kit	
11	SMBFK041	Cooling Fan Fitting Kit (to suit not fan pulley type)	
12	SMBFK043	Thermostat Housing Sandwich Type Long Bolts	
13	SMBFK042	Thermostat Housing Standard Type Long Bolts - Polished Heads	
14	SMBFK044	Thermostat Housing Standard Type Short Bolts	
15	SMBFK039	Thermostat Housing Standard Type Short Bolts - Polished Heads	
16	SMBFK035	Water Pump Fitting Kit	
17	SMB198	Radiator Bracket 1275 Cooper S	
18	SMBFK049	Near side Radiator Mount Kit	
19	SMBFK050	Radiator Cowl Kit	

Electrical Component Covers & Brackets



5	SMB02	MPI Engine Fuse Box Cover	
6	SMB04	MPI Alternator Guard	
7	SMB07	MPI Ignition Module Bracket	
8	SMB11	Horn Bracket	
9	SMB12	Engine Relay Cover	
10	SMB26	HT Lead Separator Clamps	
11	SMB28	Coil Bracket	
12	SMB56	Top Cover For SPI Blade Fuse Box	
13	SMB60	Lucas Fuse Cover Cap	
14	SMB69	MPI Alternator Terminal Cover	
15	SMB74	Rear Fog Lamp Bracket	LHD
16	SMB140	Battery Lead Bracket for Clutch Housing	
17	SMB146	Rear Fog Lamp Bracket	RHD
18	SMB152	Distributor Clamp A+	
19	SMB153	Alternator Bracket A+	
20	SMB154	Alternator Adjusting Bracket	
21	SMB155	Alternator Bracket A Series	
22	SMB156	Alternator Bracket A+	Plated
23	SMB157	Alternator Adjusting Bracket	Plated
24	SMB158	Alternator Bracket A Series	Plated
25	SMB177	MPI ECU Bracket	
26	SMBFK033	Alternator Mounting Kit	
27	SMB179	Crank Sensor Bracket	
28	SMB172	Spot Light Single Tab Type	
29	SMB172/1	Spot Light Front Double Inner	
30	SMB172/2	Spot Light Single	
31	SMBFK040	Starter Motor Fitting Kit	
32	SMB201	Fuel Relay MPI NO MAP	
33	SMB202	Fuel Relay SPI NO MAP	
34	SMB07/1	Ignition Module Bracket MPI Wire Hose Bracket	
35	SMB206	MPI ECU Cover Enclosure	
36	SMB207	MPI ECU Cover Plate	
37	SMB190	SPI Fuel Relay Cover	
38	SMB190/1	MPI Fuel Relay Cover	

Suspension Components & Fixings



12	SMB39	Grease Nipples - 45 degree	Pair
13	SMB67	Grease Nipples - Straight	Pack 4
14	SMB123	Steering Arm Lock Tabs	Pair
15	SMBFK010	Bottom Suspension Arm	Fitting Kit
16	SMBFK018	Front Shock Absorber Mountings	Fitting Kit
17	SMBFK027	Front Top Arm Mounting Kit	Fitting Kit
18	SMBFK003	Top Arm Plates Mounting Kit	Fitting Kit
19	SMBFK004	Front Upper Shock Bracket Mounting Kit	Fitting Kit
20	SMBFK019	Front Tie Bar Fitting Kit	
21	SMBFK008	Ball Joint Fitting Kit	
22	SMBFK029	Rear Shocks Fitting Kit	
23	SMB108	Top Suspension Arm Plates	Pair

Stainless Steel Subframe Mountings & Fittings



16	SMB151	Front Subframe Rear Floor Mounting Bracket	Pair
17	SMB71	Front Subframe Tower Mounting Bolt Covers	Pair
18	SMBFK017	Front Subframe Rear Drop Mountings	Fitting Kit
19	SMB107	Front Subframe Packing Shims	Set 8
20	SMBFK016	Front Subframe Mounting Bolt Kit	Fitting Kit
21	SMBFK026	Front Subframe Rear Mounting	Fitting Kit
22	SMB169	Early Front Subframe Tower Bolt Lock Tabs	Pair
23	SMBFK020	Rear Subframe Mega Mounting Kit	Fitting Kit
24	SMBFK028	Rear Subframe Mounting Fitting Kit	
25	SMBFK030	Rear Subframe Boot Heelboard Fitting Kit	
26	SMBFK031	Rear Subframe Bracket Fitting Kit	
27	SMBFK001	Rear Subframe Washers	
28	SMBFK046	Rear Trunions Fitting Kit	

Engine Mountings & Fixings



19	SMB18	Top Engine Tie Bar 1275/Inj	
20	SMB19	Top Engine Tie Bar 1000cc	
21	SMB34	Turbo Breather Outlet	
22	SMB27	Cylinder Head Nuts Covers	
23	SMB77	Weather Shield Mounting Kit	
24	SMBFK015	Subframe Engine Mounting Stainless Kit	
25	SMB143	Rocker Cover Fitting Kit	
26	SMB148	Top Engine Steady Bracket	
27	SMB162	Top Engine Steady Spacer	
28	SMB113	Engine Lift Brackets - Pair	Plated
29	SMB105	Dipstick	
30	SMBFK021	Nearside Engine Mount to Bracket Fitting Kit	
31	SMBFK022	Offside Engine Mount to Clutch Housing Fitting Kit	
32	SMBFK038	Oil Filter Housing Fitting Kit	
33	SMBFK036	Tappet Cover Fitting Kit	
34	SMBFK051	Engine Breather Kit	
35	SMBFK047	Gear Selector Kit	
36	SMBFK048	Near side Engine Mount Kit	

Gearbox Steady Bars

1	SMB110	Bottom Gearbox Steady Bracket	
2	SMB128	Bottom Gearbox Steady Bracket	Plated
3	SMB20	Bottom Engine Tie Bar 1275/Inj	
4	SMB21	Bottom Engine Tie Bar 1000cc	





Bonnet Badges



1	24A72	Morris Cooper - MK1
2	24A71	Austin Cooper - MK1
3	ALA6513	Austin Cooper - MK2
4	ALA6517	Surround for ALA6513
5	24G1201	Austin - MK1
6	14A6837	Austin - MK1 Surround for 24G1201
	ALA6514	Austin Cooper S - Mk2
	ALA6519	Surround - Austin/Morris Mk2 Cooper S Badge
	ALA6518	Surround - Morris Cooper Mk2 Bonnet Badge
	DAH10036	Cooper (wing), 90 on
7	DAB101130	Italian Job
	DAH100590MMM	Wing Badge - Mini '96on
	CZH2717	Leyland Silver Motif - A panel
8	72525	Leyland Blue Motif - A panel
9	UJB001	Enamel Union Jack
10	CZH1220	GT Grille Motif
	ADA3580	MK1 Morris Mini
	CZH4378	Black & Silver MINI Mk3 Shield
11	CZH1305	Cooper S - Mk3 - Shield
12	DAB10076	Late Mini Shield
	DAB10085	Rover Mini
	KPC1002	Black/Silver Shield
	MCPXS.WCB	Cooper Winged Bonnet or Boot Badge
13	MCPXS.WCB-R	Cooper Red Centre Winged Bonnet or Boot Badge
	MONUJ1	Union Jack - Self Adhesive
	MONUJ2	Union Jack - Bolt On
14	ALA6515	Morris Cooper S - Mk2
	GFK7514	Plastic Fixings

Boot Badges



15	14A6802	Austin Script
16	14A6853	Seven Script
	24A23	Cooper Script
	CZH1381	Cooper S Mk3
17	CZH1269	1275GT - Black
18	CZH4016	Mini Special
	CZH4154	1275GT Red/Silver
19	24A24	Morris Cooper
20	24A1401	Small S
21	24A1402	Large S
22	AVB191	MK
23	AVB192	II
24	ALA6694	850
25	ALA6695	1000
	ALA6696	1275
	DAB101500	Mini Minor
	24A997	Mini
	DAH10036	Cooper, '90on
	DAH100590MMM	Wing Badge - Mini '96on
	DAH100410	Italian Job
26	DAH100920MMM	Cooper Sport - Boot
27	CZH4153	Mini Clubman
	ALA6537	MK2 Morris Cooper
	ALA6748	Riley Script
	CZH944	Clubman Estate
	DAH10037	MINI 1992 on Chrome Face
	DAL10237	1.3i Badge
	DAH100630MMM	MINI Script - Paul Smith Version
	DAM10028	Mayfair Script
	DAM100691Z	British Isles Self Adhesive Chrome
	SPD9091	GB Boot Badge
28	ALA6536	Cooper S Mk2
29	ALA6542	Surround for ALA6537/38
	GFK7514	Badge Fixing



Stainless Steel Windscreen Wipers

Stainless Steel Wiper kit, a stylish addition to all Minis, giving the early classic look. Available in either Left Hand Drive or Right Hand Drive, full kit includes the following items:

- 2 x Right Hand Drive Stainless Wiper Arms
- 2 x Stainless 10" Wiper Blades
- 2 x Twin chrome washer jets
- 2 x Chrome wiper bezel fittings
- 2 x Stainless Wiper Blanking Plugs



All parts available individually.

	MSLMS0563	Stainless Steel Wiper Kit - RHD	Complete
	MSLMS0563LHD	Stainless Steel Wiper Kit - LHD and Mk1	Complete
1	13H5629	Stainless Wiper Arm - RHD	Each
	13H5626	Stainless Wiper Arm - LHD & Mk1	Each
2	GWB219	Stainless Wiper Blade	Each
	WSB136	Chrome Single Washer Jet	Pair
3	SPD001	Chrome Twin Washer Jet	Pair
4	WPA9032X	Stainless Wiper Blanking Plug	Each
5	WPA9028X	Chrome Wiper Bezel Kit	Pair

Black Windscreen Wipers

	DKB101480	Black Wiper Arm RHD 1990 on	Each
	GWB911	11" (280mm) Black Wiper Blade 1990 on	Each

Headlamp Brightwork & Fittings



6	9403	Rubber Headlamp Bowl Seal with Lugs	
7	515218A	Inner Chrome Bezel	Pre '97
	DHF100010MMM	Genuine Inner Chrome Bezel	'97-01
	S5435	Headlamp Bezel - Non Genuine	'97 on
	S5401	Inner Headlamp Bezel for Plastic Headlamp Bowls and '97 on Mini's	
8	500929	Outer Chrome Bezel - Pre '97	
9	DHF100060	Genuine Outer Chrome Bezel - '97-01	
10	MONHP1	Headlamp Stainless Peaks	Pair
11	MONHG1	Headlamp Stone Guards	Pair
	BHM7058	Headlamp Adjuster Kit	
	37H4241A	Headlamp Rim Retaining Clip	
	BAU2111	Headlamp Connector and Short Loom	

Door Escutcheons



12	WPA9011X	Stainless Steel	Pair
----	----------	-----------------	------

Boot Hinges & Fixings



13	SPD0002	Boot Lid Hinges - Chrome	Pair
	BMB36002/3	Boot Lid Hinges	Pair
	HMP441031	Boot Lid Hinges - Genuine	Pair
14	MCR20/A	Gasket - Boot Lid Hinge - Upper	
15	MCR20/B	Gasket - Boot Lid Hinge - Lower	
16	SG604051	Screw - Boot Hinge	

Fuel Caps



17	SPDASTCAP	Aston Style Cap Fits Over Locking Cap	
18	MONMPF2	Monza Style Fuel Cap	
19	WLD100660	Stainless Locking Cap	'84 on
20	WLD100660MS	Locking Fuel Cap	
21	MCPXS.FFC-MLH	Cooper Monza style Chrome Fuel Filler Cap for LH Tank	
	MCPXS.FFC-MRH	Cooper Monza style Chrome Fuel Filler Cap for RH Tank	

Exterior Styling

Exterior Styling





Front Grilles



Cooper Style Grille with Spotlamp Kit - complete with lamps, bulbs and mountings.



Rover Cooper - Internal Bonnet Release



Wavy - External Bonnet Release



Cooper Style with Lamp Holes (No Lamps) - External Bonnet Release



Mk1 Morris Cooper Full Slat - Internal Bonnet Release



Mk1 Austin Cooper - External Bonnet Release



Rover Cooper - External Bonnet Release

	DHB10151MMM	Rover Cooper	External Release
1	DHB102150MMM	Rover Cooper	Internal Release
	8B12502	Mk2 on Cooper includes Lamp Holes	External Release
	8B12503	Mk2 on Cooper includes Lamp Hole	Internal Release
2	8B12507	Mk5 Wavy Grille	External Release
	8B12508	Mk5 Wavy Grille	Internal Release
3	GAC8434X	Mk3 Cooper includes Lamps and Holes	External Release
	GAC8420X	Mk3 Cooper includes Lamps and Holes	Internal Release
4	24A2159	Mk1 Morris Cooper	Internal Release
	24A2158	Mk1 Morris Cooper	External Release
	8B12506	Mk1 Morris Cooper includes Lamp Holes	External Release
5	14A7299	Mk1 Austin - Wavy	External Release
6	24A198	Mk1 Austin Cooper	External Release
7	DHB10150SS	Mini MK2 on 11 Bar	External Release
	DHB102140MMM	Mini MK2 on 11 Bar	Internal Release
8	DHB10150PME	Mini MK2 on 11 Bar Black	External Release



Grille Kits - Grille with Surrounds



	DHB10150PMEKIT	Mk2 on 11 Bar Black Grille Kit	External Release
	DHB10150SSKIT	Mk2 on Cooper 8 Bar Chrome Kit	Internal Release
	DHB102140MMMKIT	Mini MK2 on 11 Bar Chrome Kit	Internal Release
9	DHB10151MMMKIT	Mk2 on Cooper Chrome Kit	External Release
10	DHB102150MMMKIT	Mk2 on Cooper 8 Bar Chrome Kit	Internal Release



Mk1 Grille Surrounds



	14A7781KIT	Mk 1 Moustache Surround Kit
1	14A7781	Mk 1 Mustache Surround
2	14A7782	Mk 1 Surround End Piece - LH
3	14A7783	Mk 1 Surround End Piece - RH
4	CZK3731	Mk 1 Surround End Piece Clip
		Each

Grille Surrounds



	DEB100040KIT	Surround Kit - 3 Pieces, Top and Two Sides	Mk2on
5	DEB100040	Top Surround	Mk2on
	24A2708	Seating Strip - Top Surround	
6	DHG10006	RH Surround	Mk2on
7	DHG10007	LH Surround	Mk2on
	37H8108M	Seating Strip - LH & RH Surrounds	1 Metre

Grille Buttons



8	LMAAC06	Silver Alloy Grille Buttons
9	LMAAC06/B	Black Alloy Grille Buttons
	SMB37	Stainless Steel Grille Buttons
	MCPXS.GB18-B*	Cooper badged grille buttons - black or silver
	MCPXS.GB18-E*	Cooper engraved grille buttons - black or silver

Internal Bonnet Release Kit

Convert the Minis external bonnet release to a secure internal pull cable system, securing your engine bay. Will also fit as a replacement part on late Minis with internal release as standard  
FSE10020KIT



Stainless Body Mouldings

10	14A9773	Mk1/2 - RH Upper Door Surround
	14A9774	Mk1/2 - LH Upper Door Surround
	MS67	Mk3 - RH Upper Door Surround
11	8B12400	Front Body Seam Mouldings
	8B12401	Rear body Seam Mouldings
		Pair
12	MS68	Mk3 - LH Upper Door Surround
	13H743	Rivet for Upper Door Moulding
	13H743SET	Rivet for Upper Door Chrome Moulding - Mk1-2
		Set of 10
	24A341	Mk1/2 RH Lower Door Trim
	24A342	Mk1/2 LH Lower Door Trim
	13H525	Lower Door Trim Clip
	PAM1014	Mk3 on RH Outer Lower Door Trim
	PAM1015	Mk3 on LH Outer Lower Door Trim
	ADH3809	Outer Lower Door Trim Clip
	EJU10003	Mk3 on Inner Door Trim
	EYC10048	Inner Door Trim Clip

Mk1 Door Handles

Mk1 Mini Saloon 3 piece handle set, complete with 2 door handles, 1 boot handle and 2 keys.



Replacement door lock barrels for Mk1 door handles, pack includes 2 door lock barrels and 2 keys

13	24A1833	MK 1 - Door & Boot Handle Set
	14A7194	MK 1 - Van Rear Door Handle
	ADA3817	MK1/2 Door Handle Seal
	CZH1747	Boot Handle Seal
14	9/0097	Mk1 Door Lock Barrels

Mk2 Door Handles

Mk2 Mini Saloon 3 piece handle set, complete with 2 door handles, 1 boot handle and 2 keys.



15	9/01337	MK 2 - Door Handle Set
	24A1834	Door Handle Safety Boss
	24A1835	Door Handle Safety Boss Seal
	14A7194	MK1/2 Boot and Van Rear Door Handle
	ADA3817	MK1/2 Door Handle Seal
	CZH1747	Boot Handle Seal

Mk3 Door Handles

Mk3 Late type Mini Saloon 3 piece handle set, with 2 door handles, 1 boot handle and 2 keys.



Mk3 Early type boot handle (difference between early and late kits)

	9/01097	MK 3 Handle Set Early Type
	9/01098	MK 3 Handle Set Late Type
16	CZH1729	MK3 Door Handle Gasket - Small
	ALA5795	MK3 Door Handle Gasket - Large
	CZH1747	Boot Handle Seal
17	CZH1725	Mk3 on Boot Handle
	MSFK004	Door and Boot Handle Fitting Kit MK3 on

Exterior Styling

Exterior Styling



Scan Me



Exterior Mirrors

1a	MONCMFD-L	Cooper Style Chrome Door Mirror - LH	Each
1b	MONCMFD-R	Cooper Style Chrome Door Mirror - RH	Each
2	CRB10184-85	Cooper Door Mirror - White	Pair
3	JPC9848/49	Black Door Mirrors	Pair
4	GAM215A	Stainless Door Mirror - Convex - RH	Each
5	GAM216A	Stainless Door Mirror - Convex - LH	Each
	GAM217A	Stainless Door Mirror - Flat - RH	Each
	GAM218A	Stainless Door Mirror - Flat - LH	Each
	TEXM68890	Door Mirror - Stainless - Convex - RH	Each
	TEXM68891	Door Mirror - Stainless - Convex - LH	Each
6	K126	Classic Clip on Door Mirror	Each
7	90123	Chrome - Wing Type	Pair
	WM1904/5	Chrome Wing Mirrors	Pair
	SPDMMR01L	Adjustable Bullet Mirror - LH on Early Type Plinth	Each
	SPDMMR01R	Adjustable Bullet Mirror - RH on Early Type Plinth	Each
	GAM107	Chrome Bullet Mirror - RH - Adjustable on Early Type Plinth	Each
	GAM108	Chrome Bullet Mirror - LH - Adjustable on Early Type Plinth	Each
9	TEXM50101/16008	Chrome - Spring Back Wing Type	Each
10	TEXM68890E	Black Door Mirror - RH	Each
	TEXM68891E	Black Door Mirror - LH	Each
	TEXM99985	Mirror Plinth B	Each
11	MONCMFM-L	Chrome Bullet Mirror on Late Type Plinth - LH	Each
	MONCMFM-R	Chrome Bullet Mirror on Late Type Plinth - RH	Each
12	SPDK131	Downton Style Mirror - Wing Mount	Each
13	SPD0005	Chrome Rear View Mirror	Each
14	TEXM99987	Chrome Plinth Kit	Each
15	TEXM90997/9	Door Mirror Adaptor - LH/RH	Each
	EAM4158PA	Late Type Mirror Stem Cover Plate - RH - black	Each
	EAM4159PA	Late Type Mirror Stem Cover Plate - LH - black	Each
	GAM105	Wing Mounted Bullet Flat Mirror	Each
	GAM112	Door Mirror - RH - Domed - 1980 on	Each
	GAM113	Door Mirror - LH - Domed - 1980 on	Each

Bumpers

1	40-10-90-2	Black Bumper	
2	40-10-90-0	Chrome Bumper	
3	40-10-90-5	Stainless Bumper	
	14A6779C	Chrome Bumper - Budget	
	DPB10166	Stainless Steel O.E. Mini Bumper	
	14A6779MS	Stainless Steel - Budget	
	14A9871	Mk1 Stainless Bumper (Includes holes for overriders)	
	14A7550Z	Van/Estate Chrome Bumper	
	EAM9248	Van Estate Quarter Bumper - Black	GENUINE
	CZH600	Clubman bumper - Chrome	
	ACCKIT1	Mk1 kit - Bumpers, Overriders & Corner Bar	
	CUR011	Carbon Fibre bumpers	Pair
	CUR012	Carbon Fibre Weave Bumpers	Pair
	SMBFK007	Stainless Steel Nuts & Washers both Bumpers	



Transform your Mini with our selection of brightwork and other accessories. Create a classic look with overriders & corner bars

Overriders & Corner Bars

	ACCKIT1	Mk1 Kit - Bumpers, Overriders & Corner Bar	
1	MSSK025	Mk1 Kit - Overider & Corner Bars	
	MSSK026	Mk1 Kit - Overider & Corner Bars	'97on
2	14A9923/4K	Mk1 Kit - Overiders	
	14A8738	Mk2 - Overider - Chrome	Each
	14A8738K	Mk2/3 Kit - Overiders - Chrome	Kit
	14A8738SS	Mk2 - Stainless Steel Overider Only	
	14A8738SSK	Mk2 - Stainless Steel Overider Kit	
	14A9923	Mk1 - Overider RH/F, LH/R	Each
	14A9924	Mk1 - Overider RH/R, LH/F	Each
	14A9877	Mk1 - Corner Bar RH/F	
	14A9878	Mk1 - Corner Bar LH/F	
3	14A9880	Corner Bar- RH/F	'97on
4	14A9881	Corner Bar- LH/F	'97on
	14A9919	Mk1 - Corner Bar RH/R	
	14A9920	Mk1 - Corner Bar LH/R	
	14A9877K	Mk1 - Corner Bars	Set of 4
5	MSSK010	Fitting kit - Corner Bar and Overider	
	MSK011	Fitting kit - Overider	
	14A7598	Overider Fixing Plate	Each
	SMB122	Stainless Steel Overider Fixing Plates	Set of 4
	37H9871	Overider Seating Strip	
	GHF104	Overider Fixing Bolt	
	14A9879	Corner Bar Spacer	
	GFK5179	Corner Bar Bolt - Short	
	GHF102	Corner Bar Bolt - Long	
	GFK1113	Washer	
	GFK1124	Spring Washer	



Overriders listed as MK1 have holes drilled for corner bar fitment, overriders listed as MK2 do not.

Mudflap Sets

1	WRRP028	Rubber Rear Mudflaps - Colour BMC Rosette Logo	
2	WRRP029	Rubber Rear Mudflaps - White BMC Rosette Logo	
	WRRP001	Rubber Front Splash Guards - Aluminium Backed	
	GRAGE994	Rally Mudflaps 50mm x 30mm x 4mm Pair (Cut to size to fit)	
	GRAGE996	Rally Mudflaps 50mm x 30mm x 3mm Pair (Cut to size to fit)	
		Available in Black, Blue, Red and White	
3	CAT10044	Cooper Laurel Logo, Complete with Fitting Kit	Pair
4	CAT100870	Mini Wings Logo, Complete with Fitting Kit	Pair

A pair of genuine Rover rubber rear mudflaps embossed with either the Mini Rover Cooper laurel logo in white or the Mini Wings logo in white. Fit Minis 1984-2001 with wheel arches.





Scan Me



Exterior Styling

## Sportspack Wheel Arches

Sportspack Wheel Arches, originally fitted to Minis after 1997 on MPI Models. Can be fitted to earlier models with slight modification to front wheel arches. Mounting hole template available on request.



Genuine Rover large body colour extended wheel arches, as commissioned by Rover in their Sports Pack. Supplied in primer ready to paint Genuine set (4)

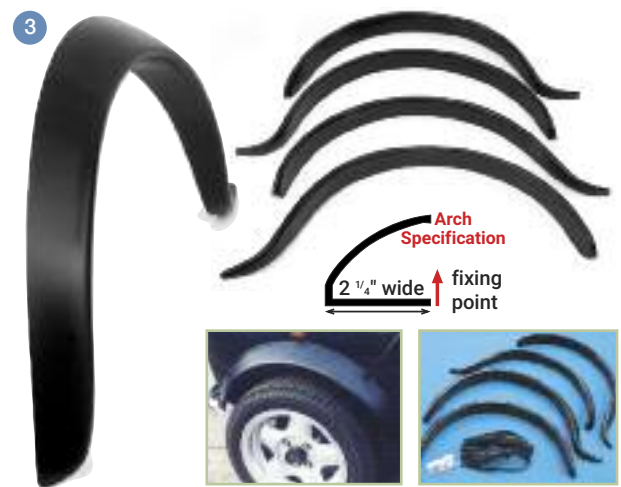


1	MSLMS0559	Genuine Set of 4 with Seals and Bolts
2	SPDPG-7JSP	Sportspack Fibreglass Arches Set of 4
	KLPM4402	Replacement Stainless Steel Stud For early Genuine Sportspack Wheel Arches
	ZUA000250	Fixing Bolt for Later Genuine Sportspack Wheel Arches
	DFP100400	Genuine Sportspack Wheel Arch Rubber Seal



## Monte Carlo Wheel Arches

A very attractive Black plastic injection moulded wide wheel arch kit. Easy to fit and supplied with rubber 'body' protection strip.



3 RGRP51 Monte Carlo Arches

## Miglia Arch Sets



4	CUR030	Carbon Fibre	
	CUR033CW	Carbon Fibre - Weave	Set of 4
	CUR033STD	Fibreglass	Set of 4

Extra wide Miglia style carbon fibre wheel arches. Set of 4.

## Mini Special Arches



These wheel arches were fitted as standard by Rover to all Mini models with 12" wheels, from 1984-2001. Quickly fitted, supplied complete with sill mouldings.

AJM1117	Black Set - 4 Wheel Arches and 2 Side Mouldings
CZH4316	Sill Moulding - Black Only

## Stainless Steel Special Arch Covers



Complete Set to enhance the look of your Mini. Stainless steel wheel arch covers, designed to fit over the standard Mini Special type arches.

MSLMS0562	Arch Covers - Set 4 Arch Covers
-----------	---------------------------------

## Glassfibre Arches



1	SPDSP-5J	Wheel Arch Group 2 Glassfibre
2	SPDSP-6J	Wheel Arch Group 2, Race Glassfibre
3	SPDSP-7J	Wheel Arch Group 5, Race Glassfibre
	WMW300	Wheel Arch Fitting kit - Rubber Trim and Screws

## Finishing Strips

1	14A9999	Seam Cover Strip - Front	Genuine
1	40-10-40-0	Seam Cover Strip - Front	
2	14A6784	Seam Cover Strip - Rear LH	Genuine
	40-10-70-3	Seam Cover Strip - Rear LH	
2	14A6783	Seam Cover Strip - Rear RH	Genuine
	40-10-70-4	Seam Cover Strip - Rear RH	
3	BMP128	Clip - Seam Cover Strip	Genuine
4	YGA1106/7	Roof Gutter Trim - black	
4a	GAC8494X	Roof Gutter Trim - Chrome	
5	DBE10006PMD	Finisher Clip, Gutter Trim Black	Genuine
5	DBE10006LMP	Finisher Clip, Gutter Trim Grey	
6	GZF107A	Side Finisher Strip, Arch & Sill - Chrome	
6a	GZF105	Side Finisher Strip, Arch & Sill - Deluxe Chrome	
6	08-01-617	Side Finisher Strip, Arch & Sill - Deluxe Chrome	
	DDJ10002	Sill Finisher Trim - Black Rubber	
	CZH4316	Sill Finisher Trim - Black Plastic	
	14A6782	Rear Lower Corner Seam Cover Strip	





Exterior Styling

Exterior Styling

Roof Decal Kits



A complete range of Roof Decal designs for a personalised style. All sets come complete with instructions. Fits all Minis.

Table with 3 columns: Kit Name, Description, and Color. Includes items like DECCHQW Chequer Kit Large White, DECUNIONJ Union Jack kit 2 colour, etc.

Bonnet Stripes

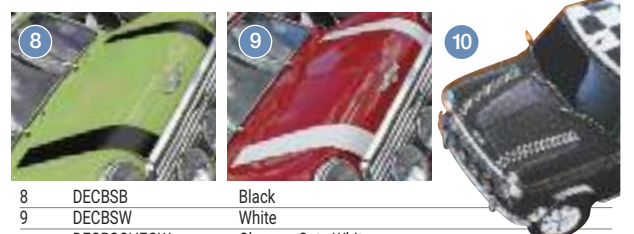


Table with 3 columns: Item Number, Name, and Color. Includes DECBSB Black, DECBSW White, etc.

Boot Stripes

Table with 3 columns: Item Name, Color, and Pair status. Includes Bonnet & Boot stripes available in all colours, please advise when ordering.

Cooper Decal Sets



Table with 3 columns: Item Name, Description, and Color. Includes DECMC-06BS Bonnet Stripes White/Black Signature, etc.

Cooper 'Look-a-like' Decal Kits



Table with 3 columns: Item Name, Description, and Location. Includes DECSCE-BK50/B Classic - Black Side & Boot, etc.

Mini Special Edition Decal Kits

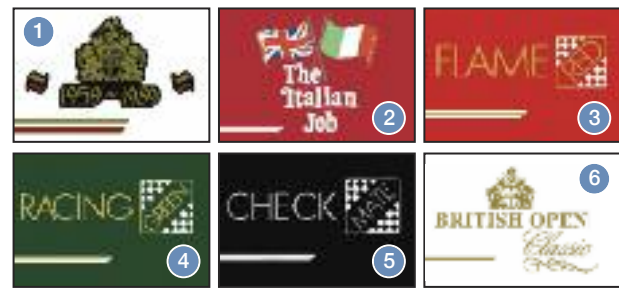


Table with 3 columns: Item Number, Name, and Location. Includes DECMC-BK02/B Mini Thirty For Black Car, etc.



Table with 3 columns: Item Number, Name, and Location. Includes DECMC-BK09 Rose Mini Sides & Boot, etc.



Table with 3 columns: Item Number, Name, and Location. Includes DECMC-BK17/S Mini Mayfair Sides & Boot (Script), etc.



Table with 3 columns: Item Number, Name, and Location. Includes DECMC-BK25 Cooper 35 Special Edition Sides & Boot, etc.



Table with 3 columns: Item Name, Description, and Location. Includes DECMC-BK42/C Mini Equinox Decal Kit - Charcoal Car Sides & Boot, etc.



Special Decals

Table with 3 columns: Item Name, Description, and Location. Includes LMG1059 Safety Fast Transfer (Glass), etc.

Paddy Hopkirk Stickers

Table with 3 columns: Item Name, Description, and Location. Includes PH37\_060 Paddy Hopkirk Sticker Pack 4 Small Stickers, etc.

Table with 3 columns: Item Name, Description, and Location. Includes MCPXS.RQD-B Cooper S Rear Quarter Decal Black Pair, etc.

Rally Decals

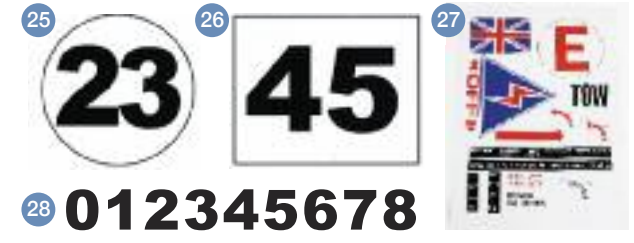


Table with 3 columns: Item Number, Name, and Location. Includes LMA274 White Door Circles Pair, etc.

Mini Sport Decals

Table with 3 columns: Item Name, Description, and Location. Includes MSLMS0472S Small Flying Flag - A6, etc.





JBW ALLOY WHEELS include centre caps and wheel nuts. Wheel and Tyre packages available! Please call or see website for details.



Wheels & Tyres

Wheels & Tyres

**Superlight 5 or 5.5" x 12"**



All Wheels come with diamond cut polished rim  
 WHLSUP5X12 Silver, Black, Gold or Gunmetal  
 WHLSUP5.5X12 Silver, Black, Gold or Gunmetal  
 Wheel & Tyre packages available - Contact for details

**Superlight 7" x 13"**



All Wheels come with diamond cut polished rim  
 WHLSUP7X13 Silver, Black, Gold or Gunmetal  
 Wheel & Tyre packages available - Contact for details

**Superlight 2 7" x 13"**



All Wheels come with diamond cut polished rim  
 WHLML7X13 Silver, Black or Gunmetal  
 Wheel & Tyre packages available - Contact for details

**Minilight 4.5" x 10"**



All options come finished in silver  
 WHLML4.5X10SILVER Drum brake models  
 WHLML4.5X10COOPERS 'S' Disc brake models  
 Wheel & Tyre packages available - Contact for details

**Minilight 5" x 10"**



All Wheels come with diamond cut polished rim  
 WHLML5X10 Silver, Black or Gold  
 Wheel & Tyre packages available - Contact for details

**Minilight 6" x 10"**



All Wheels come with diamond cut polished rim  
 WHLML6X10 Silver, Black, Gold or Gunmetal  
 Wheel & Tyre packages available - Contact for details

**Minilight 5" x 12"**



All Wheels come with diamond cut polished rim  
 WHLML5X12 Silver, Black, Gold or Gunmetal  
 Wheel & Tyre packages available - Contact for details

**Minilight 6" x 12"**



All Wheels come with diamond cut polished rim  
 WHLML6X12 Silver, Black, Gold or Gunmetal  
 Wheel & Tyre packages available - Contact for details

**Minilight 7" x 13"**



All Wheels come with diamond cut polished rim  
 WHLML7X13 Silver, Black, Gold or Gunmetal  
 Wheel & Tyre packages available - Contact for details

**StarMag Alloy Wheels**



**Deep Dish available**

WHLSTAR12-H	6 x 12	Black	Machined Face
WHLSTAR2-6X12	6 x 12	Black	Machined Face
WHLSTAR13-BL	7 x 13	Black	Machined Face
WHLSTAR2-7X13	7 x 13	Black	Machined Face

**GB Alloy Wheels**



WHLGB5X10	5 x 10	Silver
WHLGB6X10	6 x 10	Silver
WHLGBCAP	Centre Cap for GB Wheels	

**Revolute Alloy Wheels**



WHLREV6X10BLACK	6 x 10	Black	Polished Rim
WHLREV5X12BLACK	5 x 12	Black	Polished Rim
WHLREV7X13BLACK	7 x 13	Black	Polished Rim

**Mamba Alloy Wheels**



**Also available in Silver**

All Wheels come with diamond cut polished rim

WHLMAMBA5X10	5 x 10	Black	
WHLMAMBA6X10	6 x 10	Black	Deep Dish
WHLMAMBA6X12	6 x 12	Black	
WHLMAMBA7X13	7 x 13	Black	Deep Dish

**Rose Petal Alloy Wheels**



WHLROSE4.75X10	4.75 x 10	Black
WHLROSE 5X12	5 x 12	Black
WHLROSE 6X12	6 x 12	Black

**Dunlop D1 Repro Alloy Wheels**



WHLDUN5X10	5 x 10	Black
WHLDUN5X12	5 x 12	Black
WHLDUN5.5X13	5.5 x 13	Black

**Rally Special Alloy Wheels**



WHLRALLY6X12	6 x 12	Black	Hi-Lite
WHLRALLY7X13	7 x 13	Black	Hi-Lite

**Cooper Replica Alloy Wheel**



WHLCOOP4.5X12	4.5 x 12	Silver
---------------	----------	--------

**Sportspack Replica Alloy**



WHLCOOP6X13	6 x 13	Silver
-------------	--------	--------





Wheels & Tyres

Wheels & Tyres

# ULTRALITE lightweight alloy wheels

**Ultralite 4.5" x 10"**



SPDML6S Silver

**Ultralite 6" x 10"**



SPDML7-3 Silver, Black, Gold or Gunmetal Polished Rim  
 SPDML7-3 Flat Bronze Flat Gunmetal  
 Wheel & Tyre packages available - Contact for details

**Ultralite 5" x 12"**



SPDML1 Silver All Over  
 SPDML1CT Silver Polished Rim  
 SPDML1BR Black Red Stripe  
 SPDML1GM Gunmetal Polished Rim

**Ultralite 5.5" x 12"**



SPDML1P Silver Polished Rim  
 SPDML1PG Gunmetal Polished Rim  
 SPDML1PBR Black Red Stripe  
 SPDML1PB Black Polished Rim

**Ultralite 6" x 13"**



SPDML2 Silver Polished Rim  
 SPDML2GM Gunmetal Polished Rim  
 SPDML2BK Black Polished Rim  
 SPDML2BR Black Red Stripe

**Ultralite 7" x 13"**



SPDML3 Silver Polished Rim  
 SPDML3BR Black Red Stripe  
 SPDML3BK Black Polished Rim  
 SPDML3GM Gunmetal Polished Rim

## Centre Caps for Ultralite Wheels



1	88G337/S/S	Stainless Steel Hub Cap
2	SPDML3CCB	Black to Suit ML2/ML3
3	SPDML3CCS	Silver to Suit ML2/ML3
4	SPDML3CCC	Chrome to Suit ML2/ML3
5	SPDML1CCC	Chrome Edged to Suit ML1
6	SPDML1CCS	Silver Edged to Suit ML1

## Wheel Nuts



7	MIN5DN	60 Deg Taper - Suits Ultralite & most JBW	Set 4
8	MIN6DN	Radius Seat - Suit Minator	Set of 4
9	RRD10009	Rover Cooper with Collar	Each
10	MIN6A	Sleeve Nut - Suits Minilite	Set 16
11	MS1182	Sleeve Nut - Suits 13" Revolution	Set 16
12	REVA3916NBJC	Sleeve Nut - Suits 10" & 12" Revolution	Set 16

## Locking Wheel Nuts



13	CAR068	60 Deg Taper	5DN Nut Type
	CAR168	Sleeve	6A Nut Type
	CAR668	Radius	6DN Nut Type
	MONNA5	Collar	Rover Cooper Nut Type

## Cooper S Replica Alloy



WHLCSR4.5X10SILVER	4.5 x 10	Silver
WHLCSR4.5X10WHITE	4.5 x 10	White



## Cooper S Steel Wheels 3.5" x 10" or 4.5" x 10"

When the Cooper S first came off the production line, it was fitted with 3.5" x 10" wheels as standard with 4.5" x 10" wheels available as a factory fitted option.


Mini Sport have now painstakingly reproduced the 3.5" and 4.5" x 10" wheels to original specifications, perfecting the characteristics even down to the unique Old English White and Silver colours. These wheels are exact replicas of the original design and would be perfect for any restoration project.



21A1286	4.5" x 10 Cooper S - Old English White
21A1286S	4.5" x 10 Cooper S - Silver
21A1282	3.5" x 10 Cooper S - Old English White
21A1282S	3.5" x 10 Cooper S - Silver



## Wheel Studs



1	21A2604	Front - 35mm	Each
2	ERA5432	Rear - 56mm	Each
3	ERA5433	Rear - 65mm	Each
	GRASS30	Rear - 80mm, Extra Long	Each

## Wheel Spacers - inc Studs



4	MSLMS0511	5mm inc 8 Studs	Pair
	GRASP21	3/8" inc 8 Studs	Pair
5	GRASP31	3/4" inc 8 Studs	Pair

## Anti Theft Valve Caps



	R/B3000.03	Silver - No logo
6	R/B3000.05CL	Cooper Logo
7	R/B3000.05UJ	Union Jack Flag
	R/B3000.05SSGC	St Georges Cross Logo

## Air Valves

R/B3000.15	Nickle Plated Valves	Set of 4
R/B3000.19	Silver Valves	Set of 4
R/B3000.16	Blue Valves	Set of 4

**Flush fit Valves set 4 valves with adaptor**

R/B3000.10	Flush Fitting	Valve kit
R/B3000.11	Air Line Adaptor	Spare
R/B3000.14	Dust Caps - Spare	Set of 4



## Hakka

The MSA Approved, Maxsport Hakka are a popular off road racing tyre. This self cleaning tread pattern gives excellent traction in all conditions, especially snow, grass & loose soil.



TYRMAX145/70R10HAKG  
Hakka Offroad 145/70 R10





# YOKOHAMA

YOKOHAMA is the acknowledged leader in high performance tyres for your Mini.

## A008 Performance Road Tyre

- Performance tyre specifically developed for the drivers of classic Austin 7, Mini 850 and Mini Cooper cars.
- Enhanced performance in dry conditions
- Hydroplaning resistance and wet traction.
- Features a polyester cord body and twin steel belts reinforced by a layer of nylon to help deliver exceptional dry traction and predictable handling.
- The A008 features a high performance tread compound molded into an asymmetric design



YOK1657010A008 A008 -165/70/10

## A539 Performance Road Tyre

- The all-round sports tyre!
- Sure Grip in the wet. Ensures superb traction, even on the most challenging surfaces.
- Low Noise, Enhanced Comfort. Delivers the performance of a leading sports tyre with the minimum of noise.
- Miles better for user satisfaction. Tough and durable, offering longer-lasting superior performance.
- The asymmetrical tread pattern offers outstanding stability when cornering.



YOK1656012A539 A539 -165/60/12  
YOK1755013A539 A539 -175/50/13

## A048 Competition ONLY Tyre

- Designed to deliver precise control, predictable grip and sure footed braking.
- Tread designed to increase the tyre footprint and increases tread stiffness, enhancing 'feel', steering response and cornering stability.
- Moulded with a tread depth of 4.76mm, ideal for damp tracks
- Twin steel belts that are reinforced with nylon, placed over a rounded case design, allowing predictable handling transitions between straight line and cornering.



YOK1655512A048R A048R 165/55/12  
YOK1755013A048RM A048R 175/50/13 - Medium

## A032 Competition Tyre

- Symmetrical, directional tread with huge tread blocks helping to optimise the contact patch across the tyre, increasing grip and enhance water evacuation to develop wet traction during wet competition conditions.
- High density bead filler to improve the tyre's 'feel' for more precise steering input.
- Moulded with a shallow tread depth design (4.76mm) providing minimal tread distortion and high cornering force.
- Twin steel belts reinforced with nylon, adding strength to the sidewall to improve road handling and high speed stability.



YOK1657010A032RS A032 165/70/10



# FALKEN

High Performance Tyres

## Falken ZE-914 Ecorun

Asymmetric pattern with 4 wide circumferential grooves making it incredibly stable at speed, and under heavy braking. New lateral groove design significantly improves water displacement, also more surface area results in higher load handling when cornering.

FAL1656012ZE914 ZE 914 Ecorun Tyre



# FALKEN

High Performance Tyres

## Falken FK-07E

New directional tread designed especially for sports drivers. The FK-07 packs a real sports punch, with exceptional wet weather performance. Combined with low noise levels and great looks, making this a High Specification Sports Tyre.

FAL165/70HR10 FK-07E 165/70 R10  
FAL145X10 SN807 145/80 R10



## THE BLOCKLEY

2019 RAC Rally of the Tests Winning Mini, Paddy Hopkirk's Morris Cooper 'S', 6 EMO is fitted with Blockley 165/70 R10 Tyres....  
"Blockley provided us with their latest tread pattern which proved to be a great all round tyre... and not a single puncture. Excellent, when the going became loose and muddy."  
Steve Entwistle - Winning Driver



## 10" Blockley Tyres



A modern design steel belted Radial tyre. The best handling tyre ever fitted to a Mini, with superb looking period tread pattern and carries the Blockley satisfaction guarantee.



TYR145R10BLO 145 R10 Tyre  
TYR1657010BLO 165/70 R10 Tyre

## EU Tyre Labelling

Same style as the current energy efficiency labels with a familiar A - G grading system.

**Fuel Efficiency**  
From G to A (least efficient most efficient)

**Wet Grip**  
From G to A (longest braking distances to shortest distances)

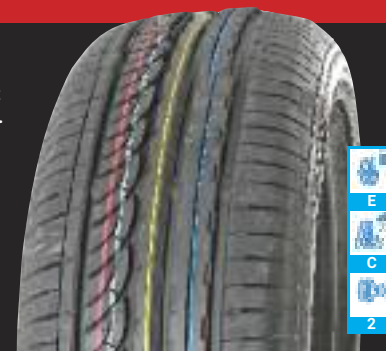
**Noise Level**  
From 1 to 3 Waves (noise level between the lower limit & max)

# NANKANG

the informed tyre choice for optimum performance and longevity

## Nankang AS1

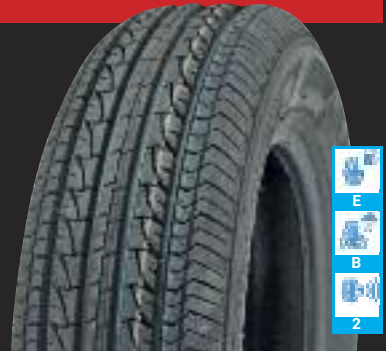
Groove pattern designed to accumulate and divert water for a safer drive. A high rigidity tread pattern strengthens cornering force and enhances steering ability. The straight groove design on the shoulder improves rigidity and prevents irregular wear.



TYRAN175/50R13 13" - AS1 175/50 R13 Tyre

## Nankang NA1

4 Groove designed pattern enhances drainage with dual double grooves on the shoulder to divert and balance force thus preventing uneven wear. Thinner sipes on the shoulder reduce noise generation and a small block pattern design helps to provide better comfort.



TYRAN14570R12 12" - NA1 145/70 R12 Tyre

## Nankang AR1

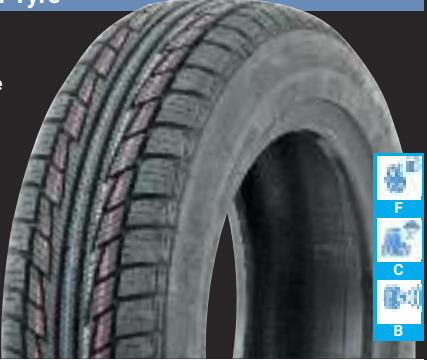
The AR-1 is a fast, refined track tyre, aimed at the track enthusiast who is hunting lap times. The AR-1 now has the new 100TW compound and is produced with a 5.5mm tread depth, making it a great track tyre.



TYRAN1755013-AR1 13" - AR1 175/50 R13 Tyre

## Nankang Winter Tyre

The SV-3 combines a V-shaped four-groove design, a 3D solid sipe design and a solid groove wall design. Tyre design increases friction thus shortening brake distances in the wet, and enhances maneuverability, cornering ability and grip on icy roads.



TYRAN14570R12SV2 145/70 R12 - Nankang Winter SV-3

Wheels & Tyres

Wheels & Tyres





Wheels & Tyres

Books & DVD's

# CLASSIC TYRES

Complete range of original style tyres from a variety of manufacturers, to give your Mini that original early look!  
All tyres are made to fit the original 10" wheel, as you would expect, with a choice of two widths, either 145 or 165.

## Avon CR6ZZ

Diameter: 488 mm  
Section Width: 175 mm  
Max Speed: 130 mph  
Max Load: 355 kg  
Weight: 5.5 kg

**AVON TYRES**

TYRAV165R10CR6ZZ CR6ZZ 165/70/R10 Tyre

## SP44 Weathermaster

Diameter: 490 mm  
Section Width: 135 mm  
Max Speed: 113 mph  
Max Load: 315 kg  
Weight: 5.6 kg

**DUNLOP**

TYR145SR10SP44 SP44 145/R10 Tyre

## Dunlop R7

Diameter: 488 mm  
Section Width: 175 mm  
Max Speed: 130 mph  
Max Load: 355 kg  
Weight: 5.5 kg

**DUNLOP**

TYR165/70HR10R7 R7 165/70/R10 Tyre

## Aquajet SP Sport

Diameter: 494 mm  
Section Width: 165 mm  
Max Speed: 113 mph  
Max Load: 315 kg  
Weight: 6 kg

**DUNLOP**

TYR165/70SR10DUN Aquajet 165/70/R10 Tyre

## Aquajet SP Sport

Diameter: 492 mm  
Section Width: 147 mm  
Max Speed: 113 mph  
Max Load: 315 kg  
Weight: 5.5 kg

**DUNLOP**

TYR145SR10DUN Aquajet 145/R10 Tyre

## Camac BS313

Diameter: 490 mm  
Section Width: 152 mm  
Max Speed: 113 mph  
Max Load: 355 kg  
Weight: 7 kg

**GAMAC** Classic Range

TYR165/70R10CAM BS313 165/70/R10 Tyre

## Camac BN313

Diameter: 490 mm  
Section Width: 130 mm  
Max Speed: 113 mph  
Max Load: 315 kg  
Weight: 4.5 kg

**GAMAC** Classic Range

TYR145R10CAM BS313 145/R10 Tyre

### Books and Manuals

- 1 TONY AMBROSE
- 2 HOW TO PREPARE A HISTORIC RACING MINI
- 3 ORIGINAL MINI COOPER AND COOPER S
- 4 FACTORY-ORIGINAL MINI MK I & MK II
- 5 COMPLETE CATALOGUE OF THE MINI
- 6 WORKS MINIS IN DETAIL
- 7 THE SELF PRESERVATION SOCIETY - ITALIAN JOB BOOK
- 8 THE MINI SCRAPBOOK
- 9 COOPER
- 10 MINI RESTORATION
- 11 ULTIMATE MINI RESTORATION MANUAL
- 12 DRIVE WITH PADDY HOPKIRK A5 CARTOON BOOK
- 13 ANATOMY OF THE WORKS MINIS

1	AMB9781787114609	Tony Ambrose Autobiography - Ever the Bridesmaid
2	CCK9781785003813	How To Prepare A Historic Racing Mini
3	HER9781906133191	Original Mini Cooper & S
4	HER9781906133665	Factory Original Mini Mk1 & Mk2
5	HER9781906133726	Complete Catalogue of the Mini
6	HER9781906133962	Works Minis in Detail
7	PPI9781907085864	The Self Preservation Society - Italian Job Book
8	PPI9781907085949	The Mini Scrapbook
9	VEL9781845841836	Mini Cooper/Mini Cooper S - Rally Giants
10	VEL9781845842048	Mini Essential Buyers Guide
11	VEL9781845841164	Ultimate Mini Restoration Manual
	VEL9781845842239	Anatomy of the Classic Mini
12	PH.DWPH	Drive with Paddy Hopkirk A5 Cartoon Book
13	VEL9781845848705	Anatomy of the Works Minis
	VEL9781845843618	Mini Minor to Asia Minor
	VEL9781845848699	1275 A-Series High Performance Manual
	VEL9781845849948	BMC Competition Department Secrets

### Mini DVD's

- 1 DVD6PACK
- 2 DVDUMM
- 3 DVDUMP
- 4 DVDUMES
- 5 DVDUMMAY
- 6 DVDCLASSIC
- 7 DVDUME

1	DVD6PACK	Minifilms 6 DVD collection - Classic Mini, Engine Swap, Extreme, Madness, Performance, Mayhem
2	DVDUMM	Ultimate Mini Madness
3	DVDUMP	Ultimate Mini Performance
4	DVDUMES	Ultimate Mini Engine Swap
5	DVDUMMAY	Ultimate Mini Mayhem
6	DVDCLASSIC	50 Years Of Classic Mini Limited Edition
7	DVDUME	Ultimate Mini Extreme

Combining everything Mini extreme performance, and taking you on a rollercoaster ride in some of the most radical Minis you've ever seen. As you'd expect, they've gathered together an amazing selection of Minis, showing you how to build and modify them!





# Advanced CNC Engineering

At M.A.D. we offer complete precision engineering service that includes CAD CAM designs, prototyping & high volume production, then delivery of fully finished precision engineering components.



# Design Develop Manufacture

Continuously developing & producing high quality, precision Mini parts



Together with Mini Sport, M.A.D. are recognised as the leading suppliers of CNC produced precision engineering components for the Mini.

# Meeting the most demanding needs!

Our well-equipped CNC machine shop houses a range of precision machining, milling & turning equipment, all using CNC technology, that enable us to meet the exacting demands of our customers.

## INFINITE POSSIBILITIES

With 5-axis CNC milling, interfaced with innovative CAM technology

Pushing the boundaries of development...

...with a philosophy of relentless improvement



## Sales Hotline

Our helpful and dedicated sales team are here to take your order and to assist you on the best options to suit your requirements.

# 01282 778731

Fax: 01282 772043

sales@minisport.com

### Buy with Confidence

Great care has been taken to ensure that all details and descriptions are correct at the time of going to print. Unfortunately due to circumstances beyond our control we sometimes have to make changes (not always for the worse) without prior notice.

Great care is taken in stating the correct specification for every product in this catalogue, due to changing of manufacturing procedure or change of suppliers, some items may vary slightly from the product described or photograph. We reserve the right to alter technical descriptions and specifications at any time.

To give you the very best possible products and services available we are constantly working very closely with our suppliers and actively encouraging them to improve the quality and update the specification of their ranges.

Our warehouse carries a huge range of products, enabling us to supply most parts very quickly. Sometimes parts do need to be ordered, but we will advise you of approximate delivery times when your order is placed. We are constantly striving to better our service and make sure that every customer is completely satisfied with every aspect of their ordering experience.

When placing an order, please help us to offer you the most efficient service by clearly stating part numbers if known, vehicle model and year, engine size plus any other vital information that will help with the correct identification of the parts required.

### After Sales Care

**We want you to be totally satisfied with every purchase.** If you return an item in its original, unused condition and in its undamaged packaging, along with the receipt, to our store within 7 days of purchase we will exchange it or offer a full refund. If the original packaging is damaged, we reserve the right to charge for the replacement packaging, which will be deducted from any refund due.

If a product develops a manufacturing fault within the first 30 days we will offer the same refund or exchange policy as above. If a product develops a manufacturing fault after 30 days and within the manufacturers guarantee, a new product will be sent out immediately and charged for. A refund will be issued once the faulty product has been returned to ourselves and assessed. In certain circumstances the manufacturer could require to inspect the product before a refund is issued.

### Returns & Shortages

Goods which prove unsuitable may be returned for a refund, credit note or exchange if they are returned to ourselves within 7 days of receipt. Subject to the following conditions:

- Items are returned carriage paid.
- Items received are in a re-saleable condition.
- Items should be returned unused in their original condition in order to secure a refund.
- Items are returned complete with all packaging in good condition. (We reserve the right to charge for replacement packaging when the original has been damaged or defaced).
- Items returned after 7 days from receipt may be subject to a restocking fee. (This does not affect you statutory rights).
- We cannot accept any items which have been specially ordered for you or manufactured to your specification for return.
- All returns are to be accompanied by the senders name and address, account number and reason for return. Remember, the information you provide will help us to help you.
- We cannot accept responsibility for returned parcels which are undelivered or lost, please keep your proof of postage, as it may be required in the event of a claim with your couriers.
- Mini Sport Ltd are not responsible for any labour charges incurred during fitment or removal of allegedly faulty (or incorrectly supplied) parts.
- Old units returned for a surcharge refund, must be returned within 90 days of purchase, in a clean serviceable condition.
- All returns must be accompanied by a returns authorisation number. Failure to do so may delay the processing of any refund or replacement. (Authorisation numbers can be obtained by contacting our returns department).



# All your MINI NEEDS...



Parts | Accessories | Restoration



- ✓ 3000 sq.ft. Showroom
- ✓ Fitting & Service
- ✓ Engine Tuning
- ✓ Diagnostics
- ✓ Restorations
- ✓ Accident Repair
- ✓ Competition Prep

## Built on Decades of Experience...

*Mini Sport... set apart by its ability to inform, assist and guide fellow Mini enthusiasts alike...*

Not only do we stock what we consider to be the very best Mini parts, but we manufacture, prepare, race & repair with them ourselves, because we sell what we believe in and know them to be the best!



Simply get in touch today...  
...discuss your Mini, and the options we have available.



## All your Mini Needs online...



Keep up to date with everything going on at Mini Sport by following us on social media



Catalogue PDF downloads



Mobile friendly shopping experience, over 9000 Mini parts available in the palm of your hand!



Reward Points: Shop > Earn > Redeem



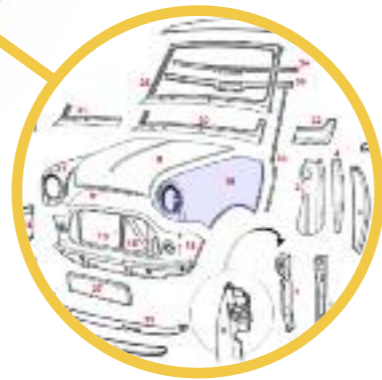
- ✓ Secure ordering
- ✓ Latest Prices
- ✓ Special Offers
- ✓ Exclusive Collections
- ✓ Low Cost Global Shipping



Dedicated websites in OZ, USA and EU, with a dedicated agent, prices in local currency & the best shipping



Inspiration, advice and restoration examples on our Blog



**Improved Parts Finder:** Finding the parts you need has never been easier!



M65: Junction 8

Padiham

Mini Sport Ltd  
Padiham, Lancashire BB12 7AP  
sales@minisport.com | +44 (0)1282 778731



@MiniSportLtd